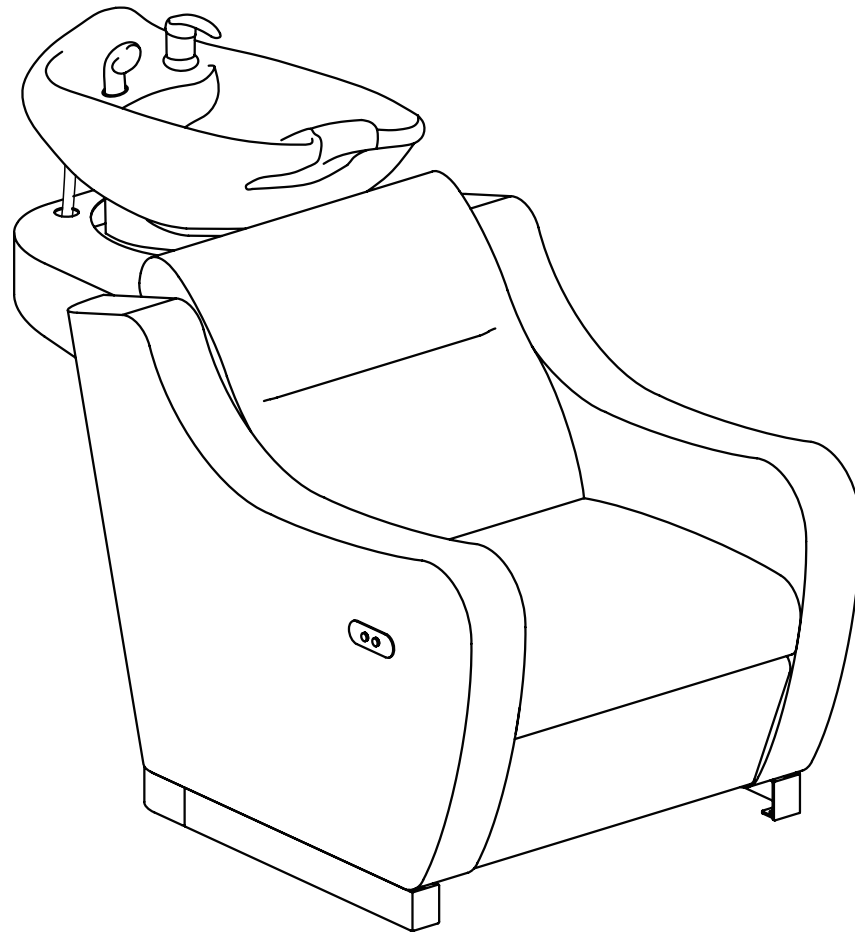


DIR<sup>®</sup>

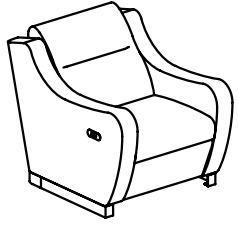
Callisto

7839

INSTRUCTION MANUAL

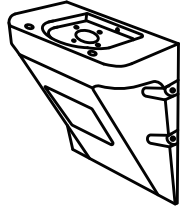


# List of Parts & Tools



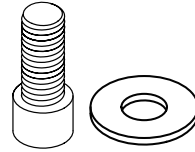
x1

101001



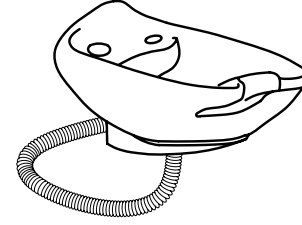
x1

7001



x4

101003



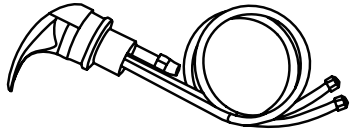
x1

0350/0356



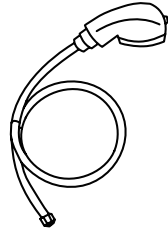
x4

101005



x1

101006



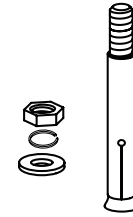
x1

101007



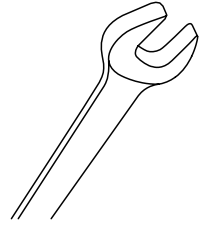
x1

101008

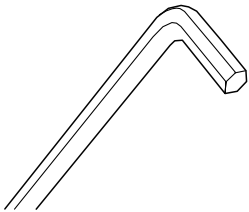


x2

101009



101010

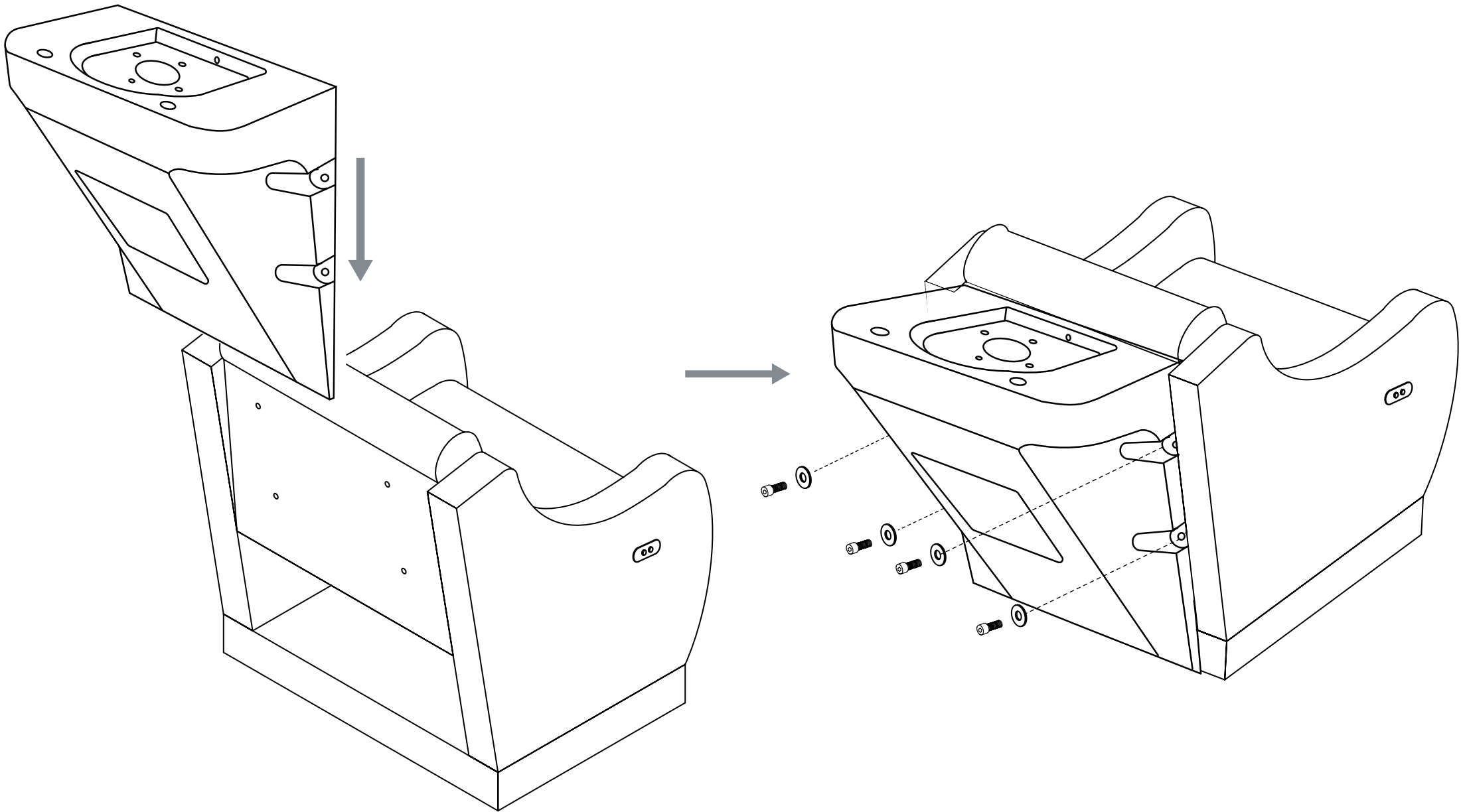


101011

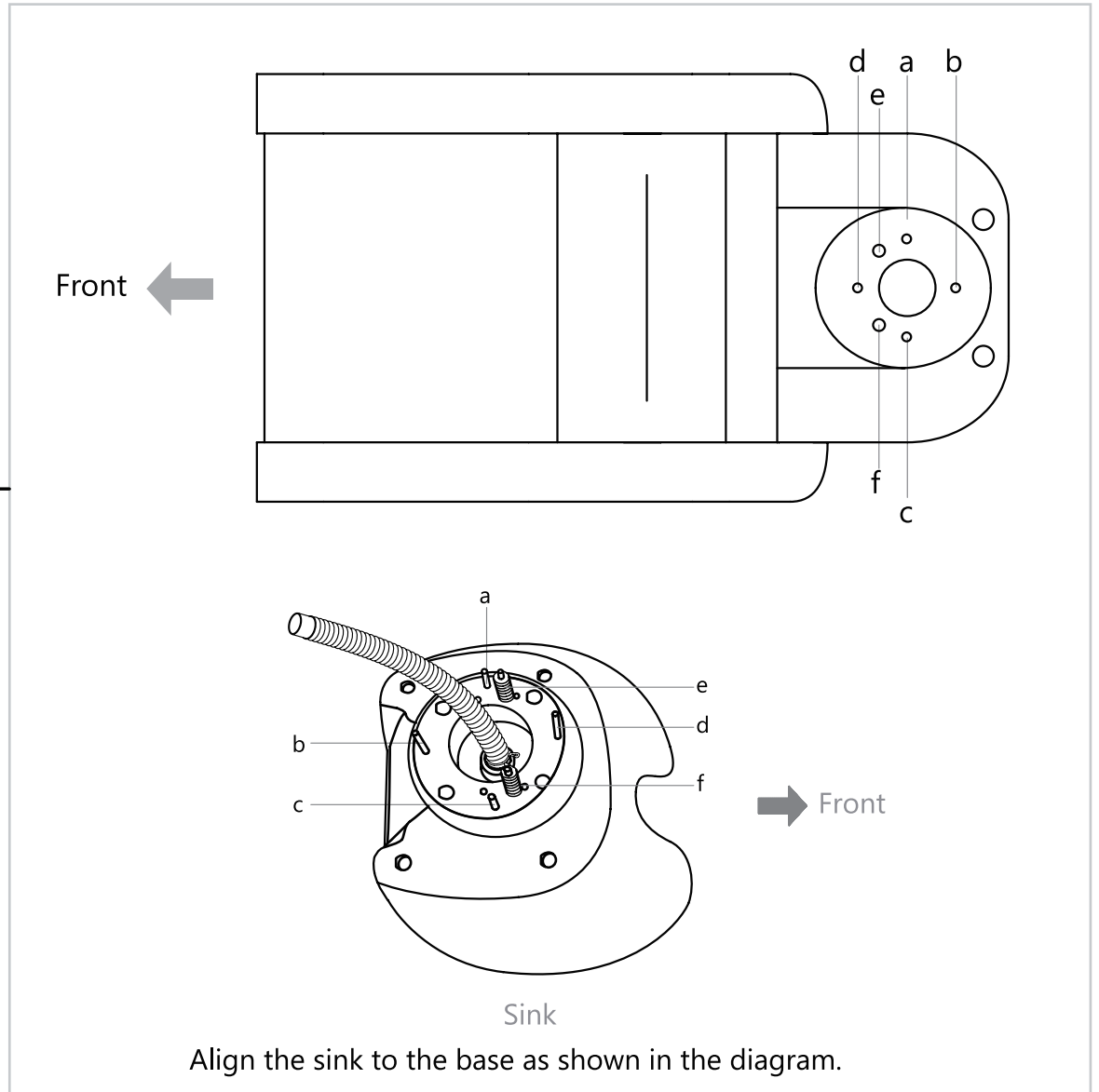
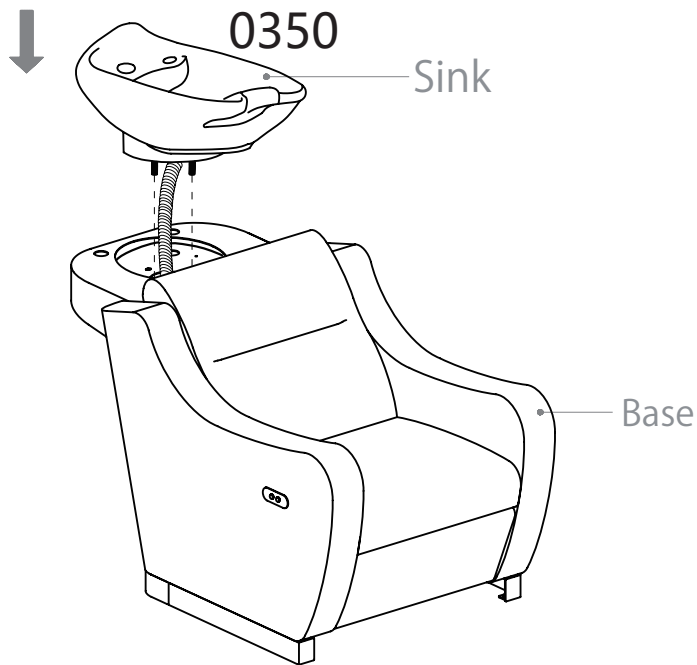
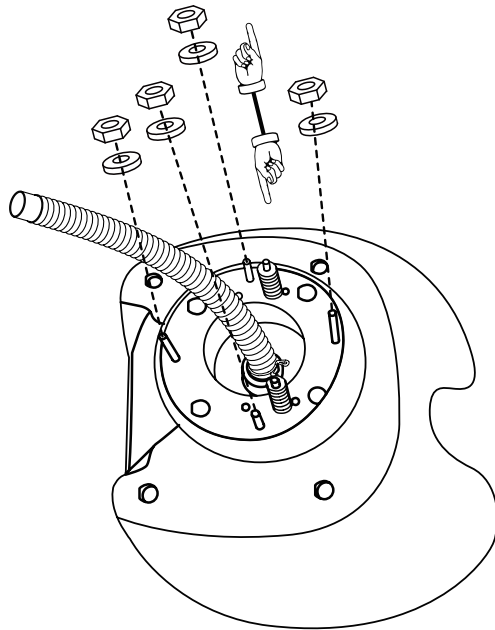
Type	USA size	UK size
Water supply lines Adapter	$\frac{5}{8}$ "	$\frac{1}{2}$ "
Drain Hose Connector	$1 \frac{1}{4}$ "	3.2cm

# Assembly Instruction 1

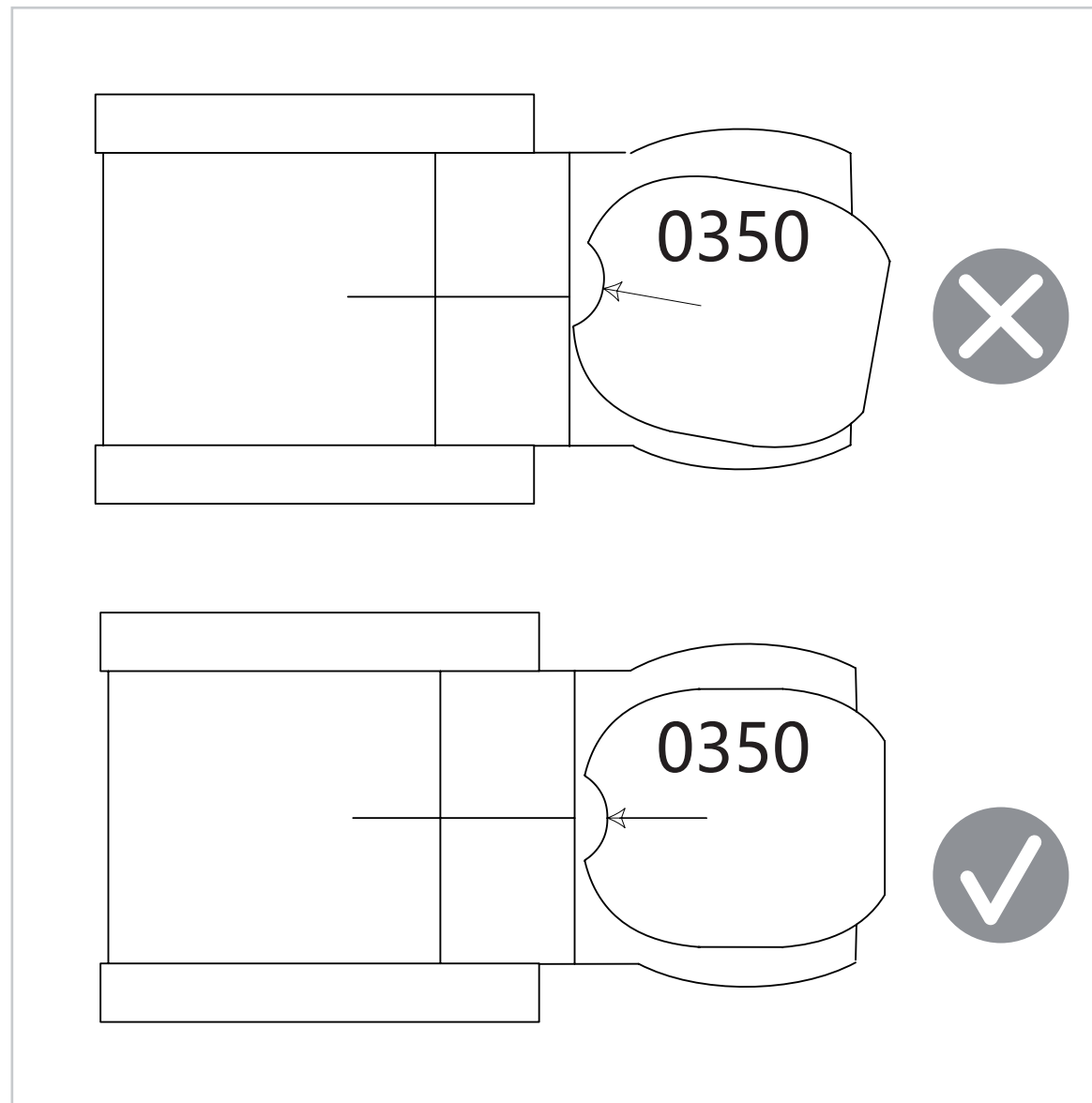
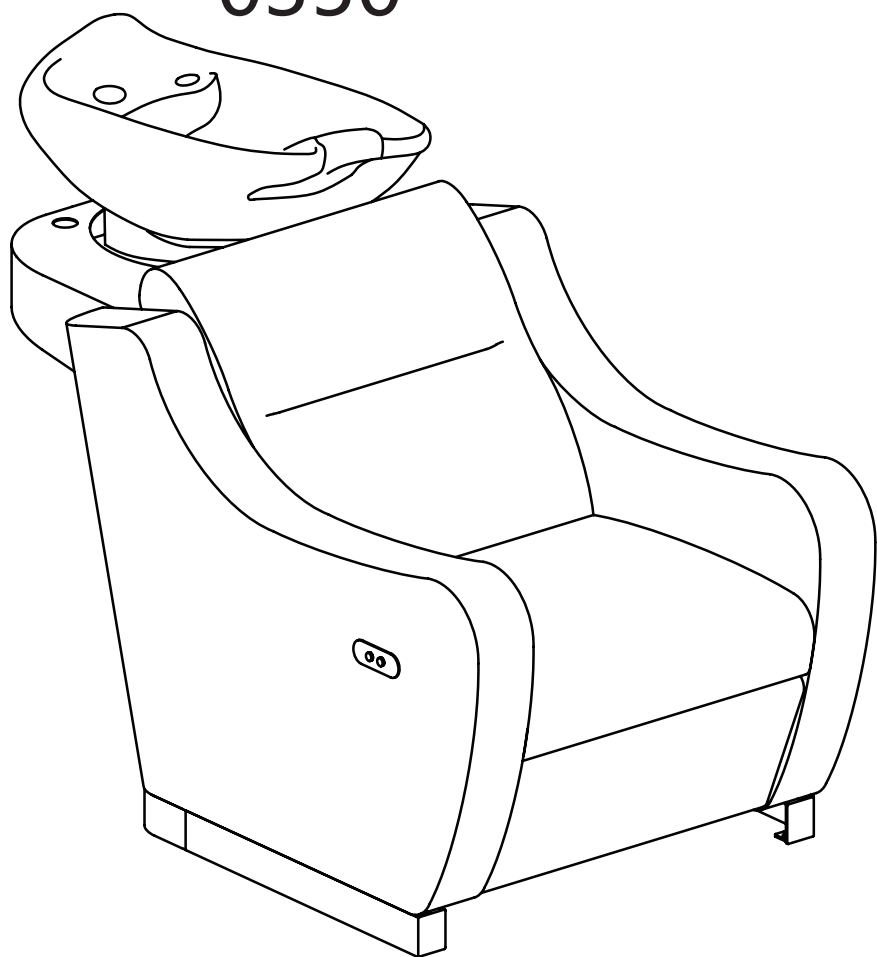
7001

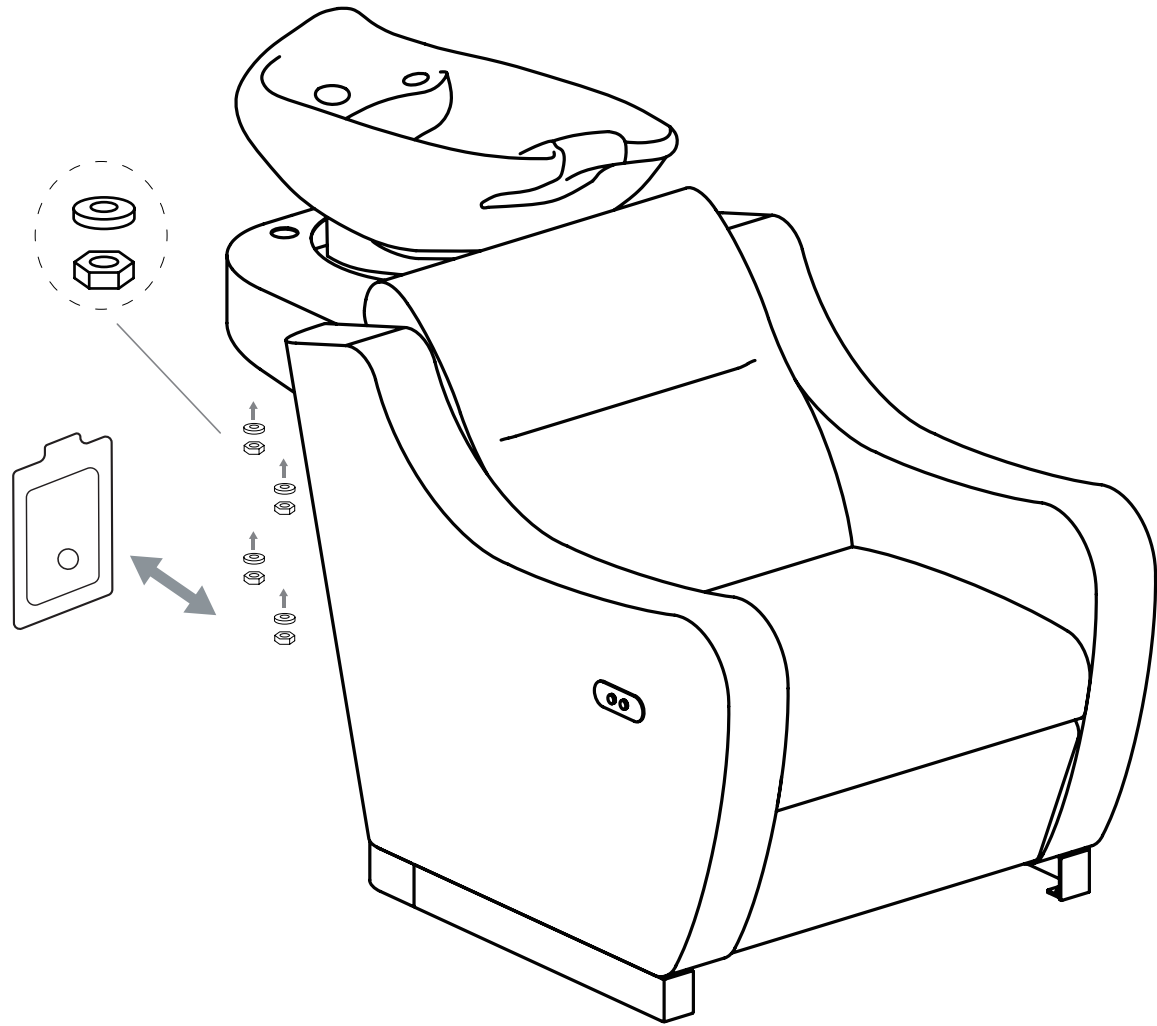


# Assembly Instruction2

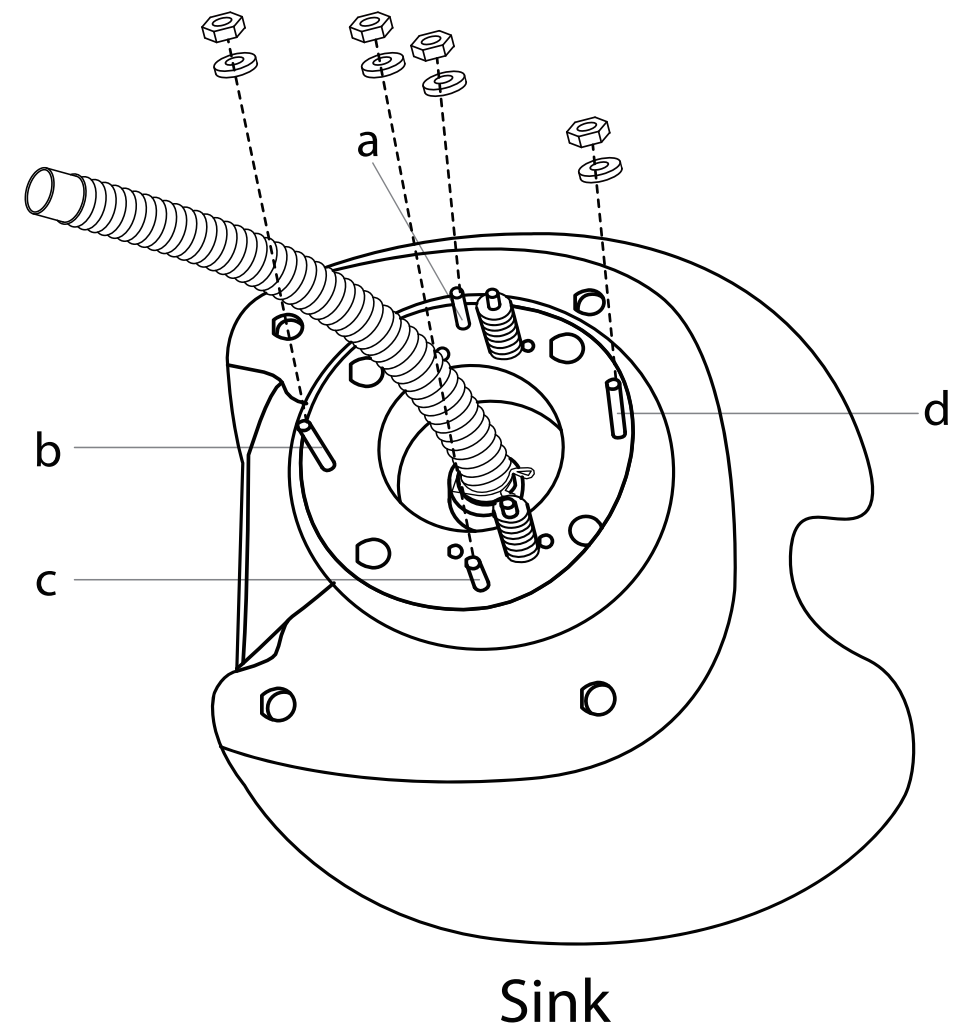


0350



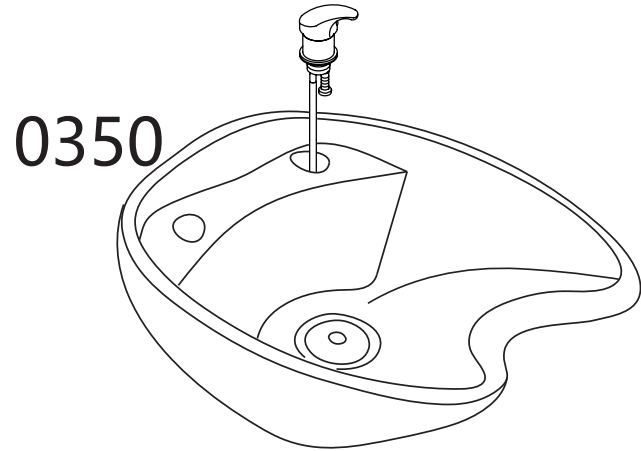


0350

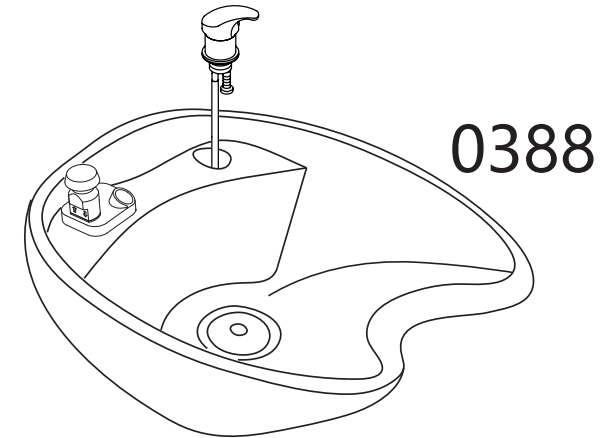


# Faucet Set up

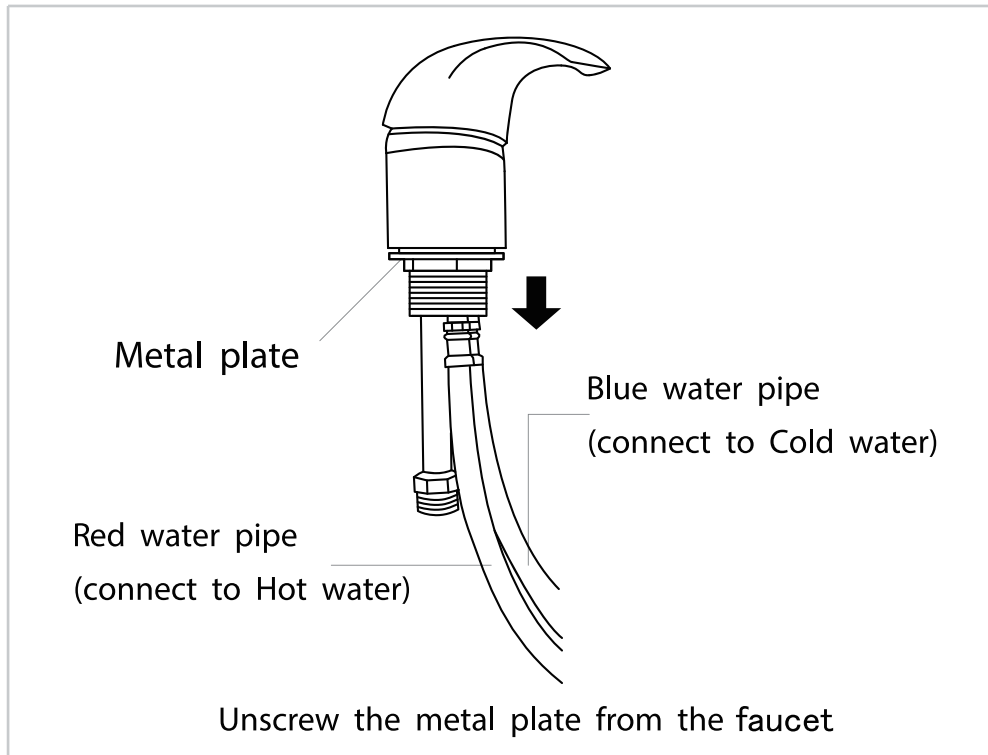
None Vacuum Breaker Sink



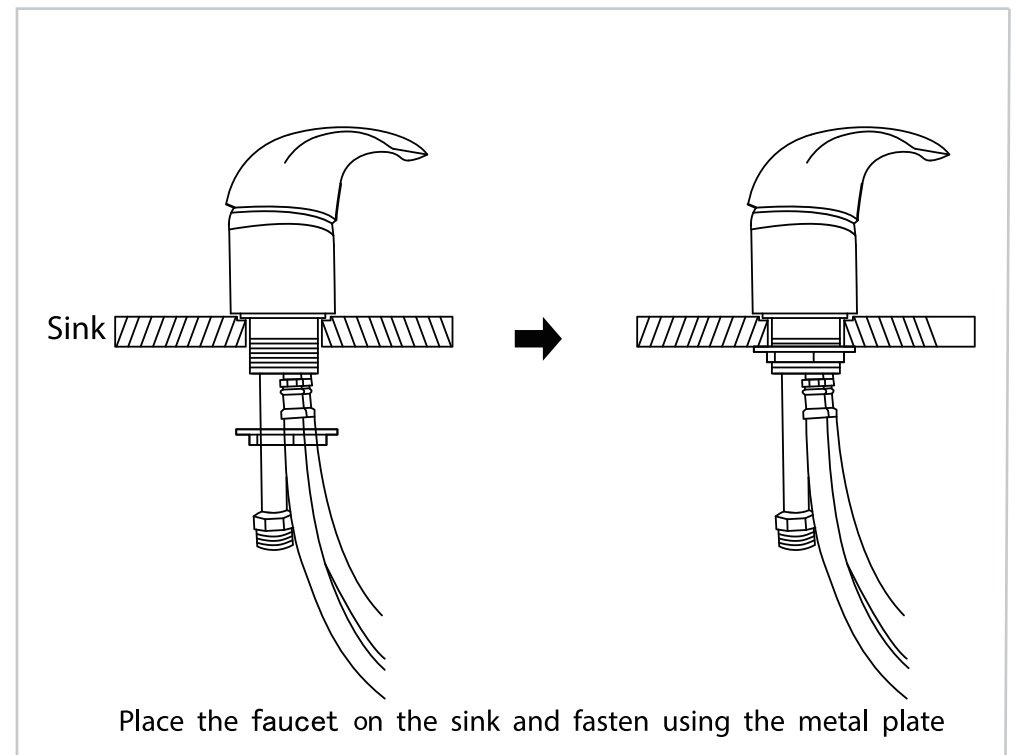
Vacuum Breaker Sink



or

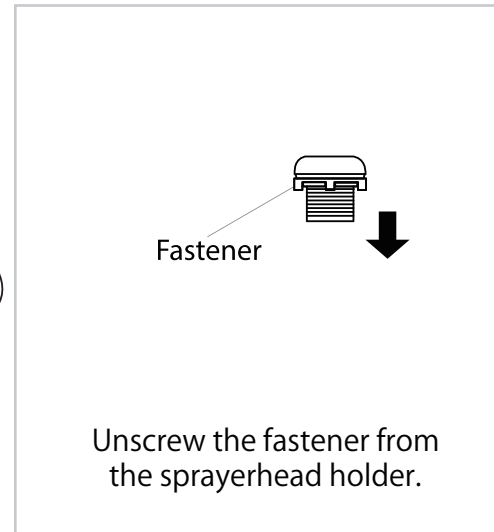
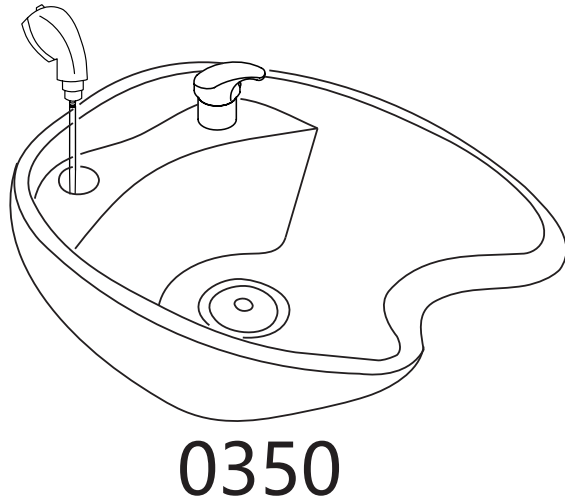


STEP 1

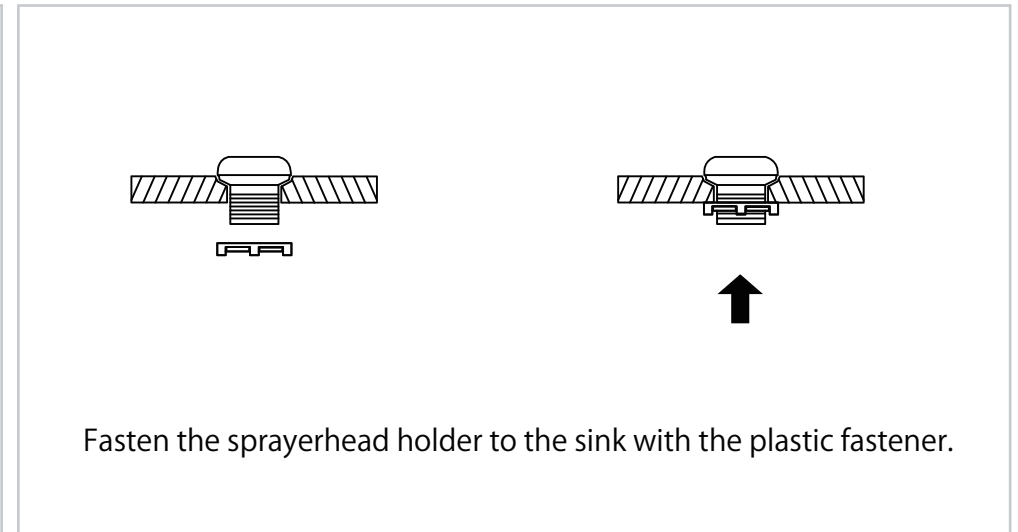


STEP 2

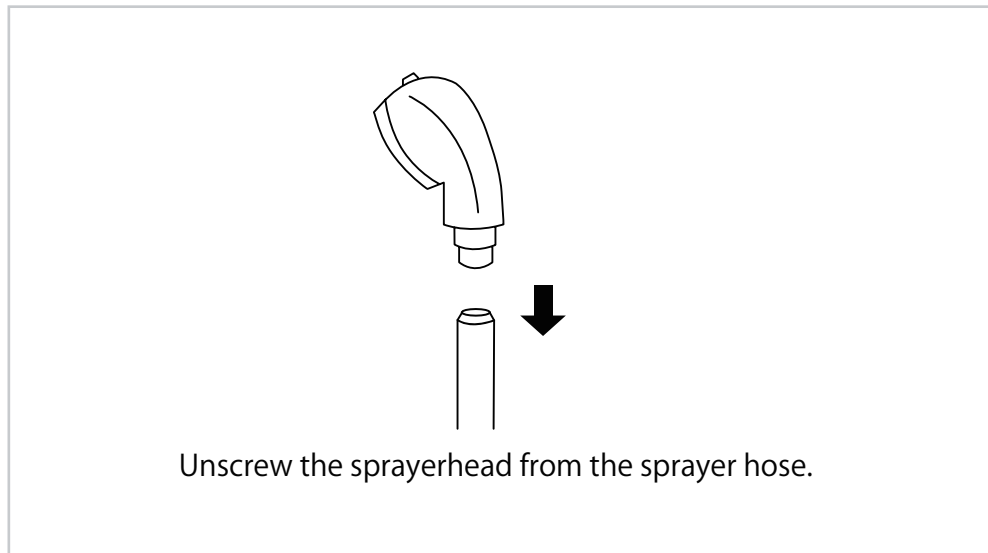
# Sprayer Set Up Vacuum Breaker Sink



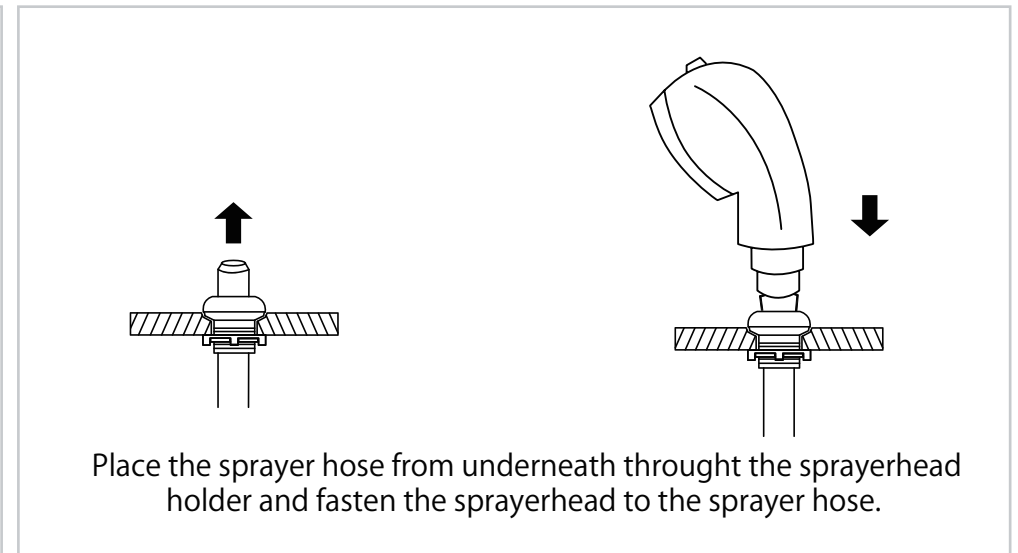
STEP 1



STEP 2



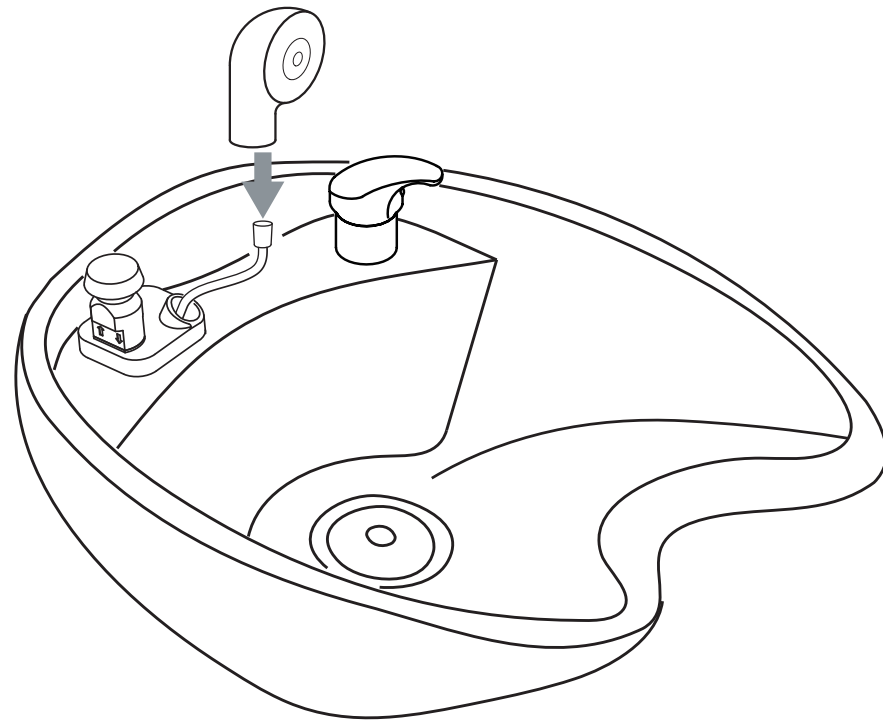
STEP 3



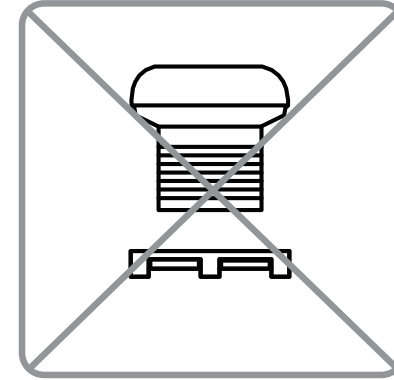
STEP 4



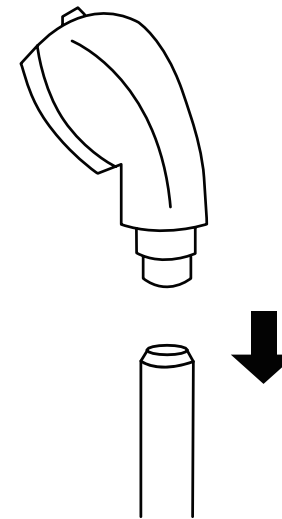
# Sprayer Set Up None Vacuum Breaker Sink



0388

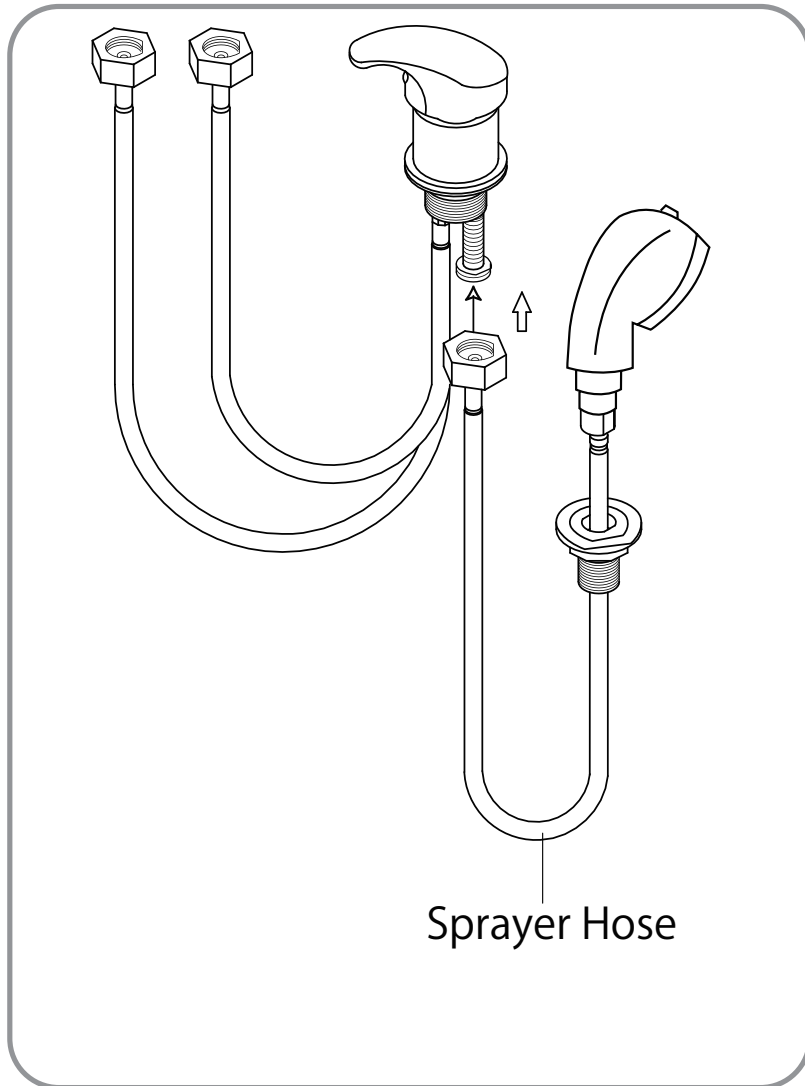


no need



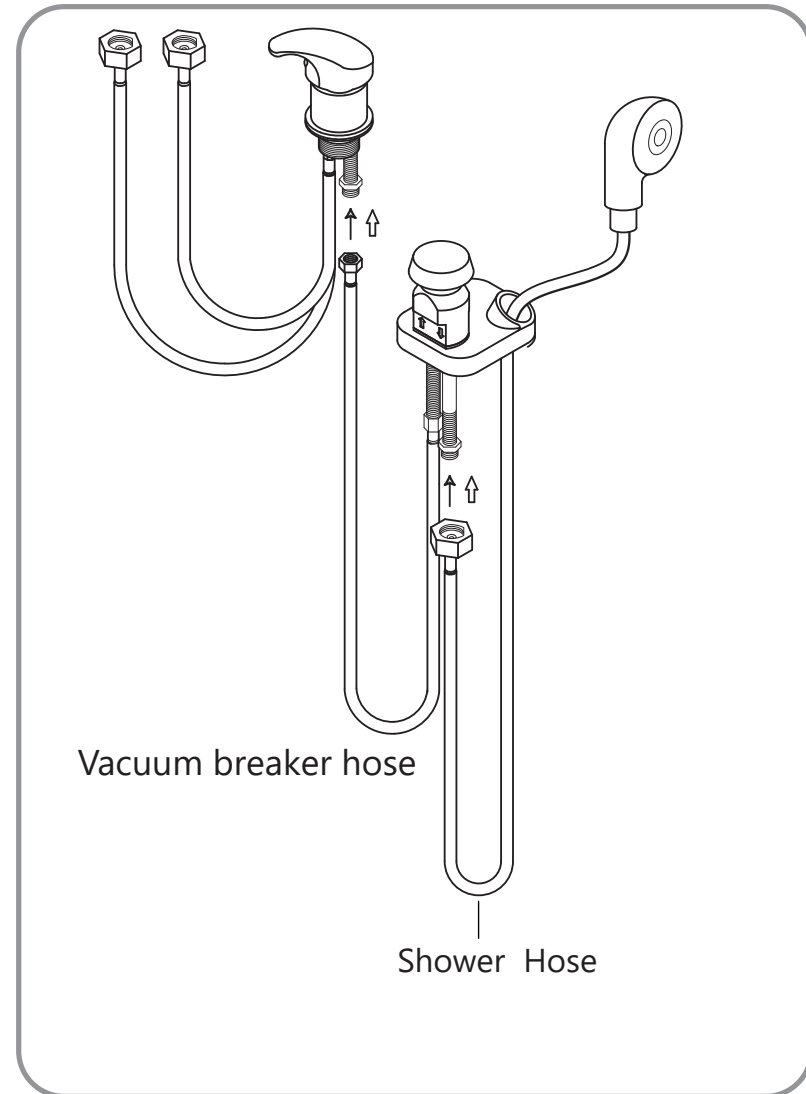
Unscrew the sprayerhead from the sprayer hose.

## None Vacuum Breaker Sink



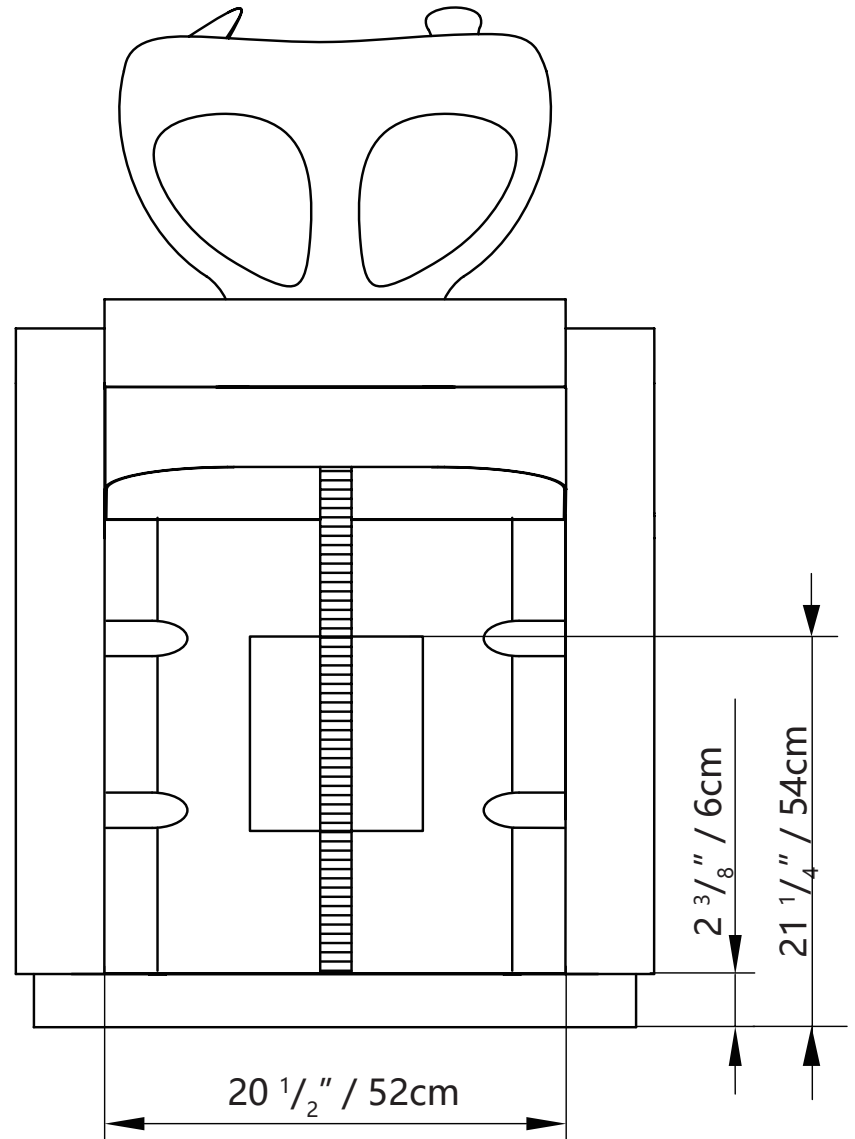
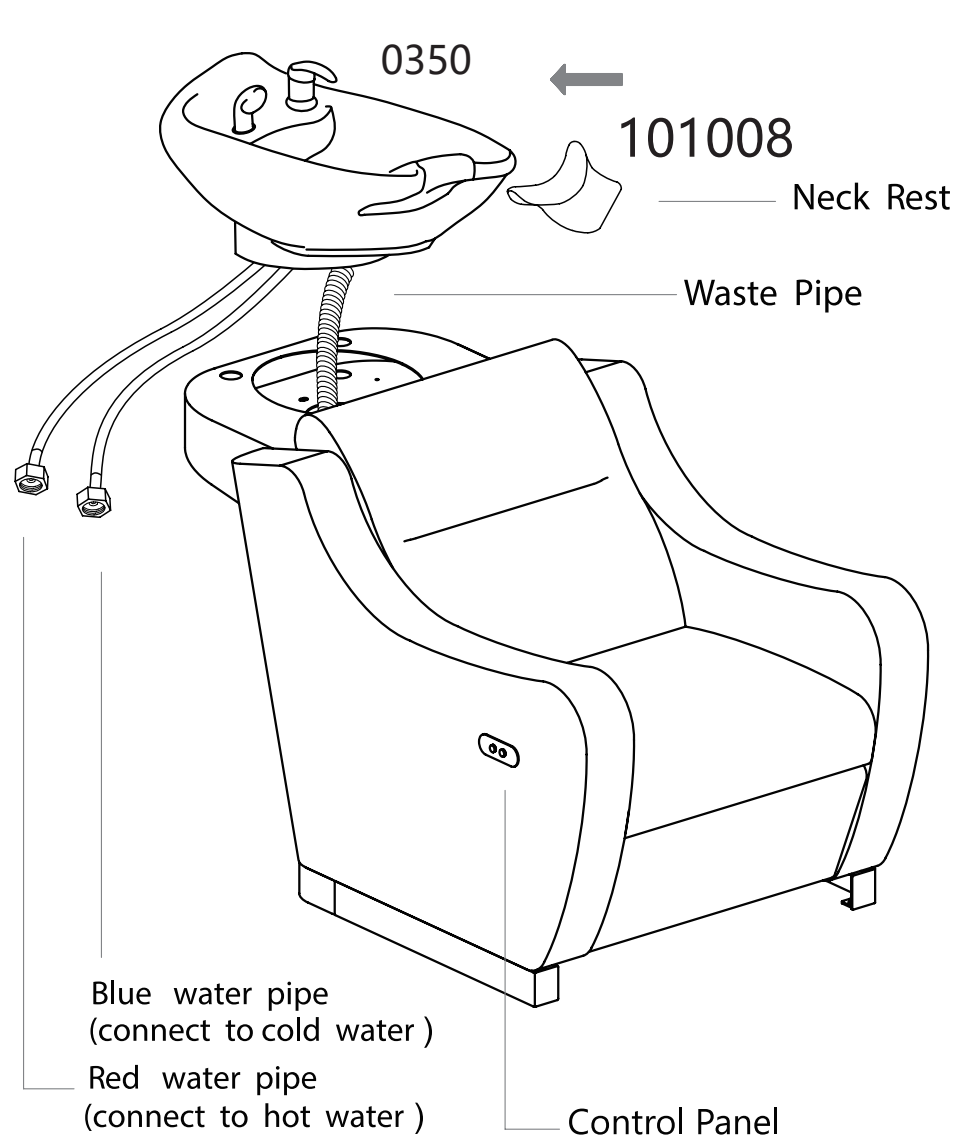
or

## Vacuum Breaker Sink



### Plumbing setup:

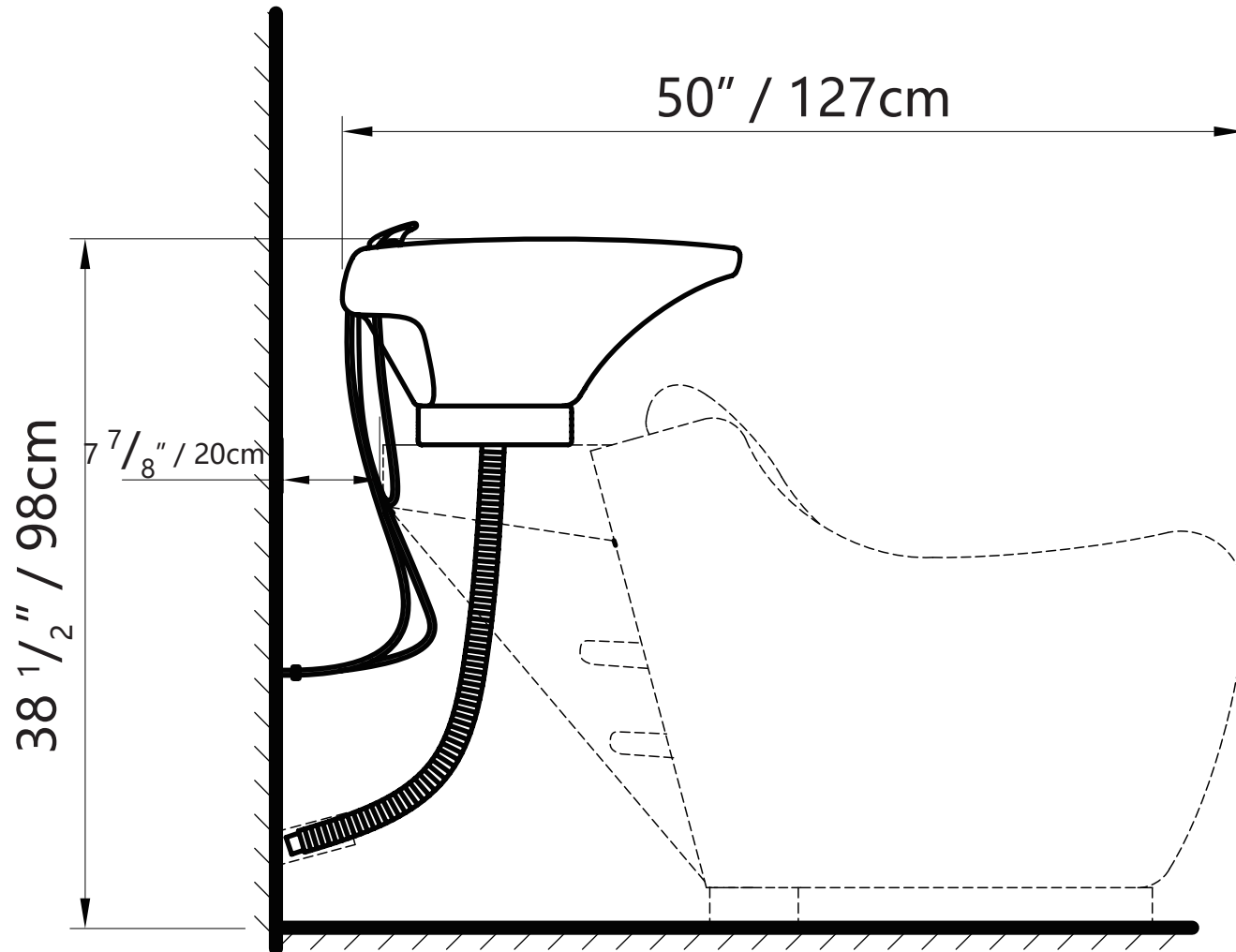
\*removable back panel to route both water supply lines and make all connections.



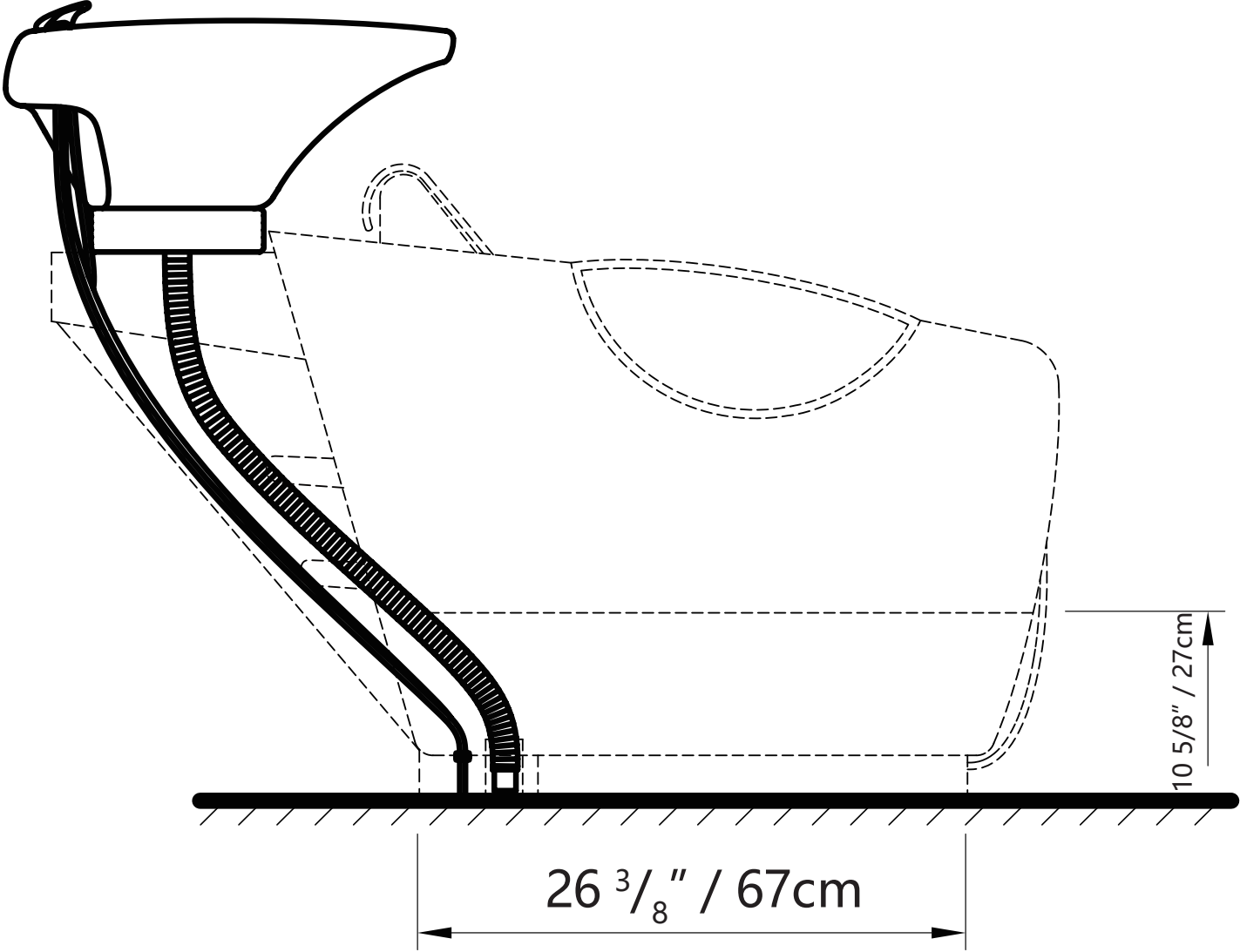
Wall plumbing setup:

All connection pipes are enclosed within the base unit.

Water supply lines are routed into the unit via circle opening on the back of the base.

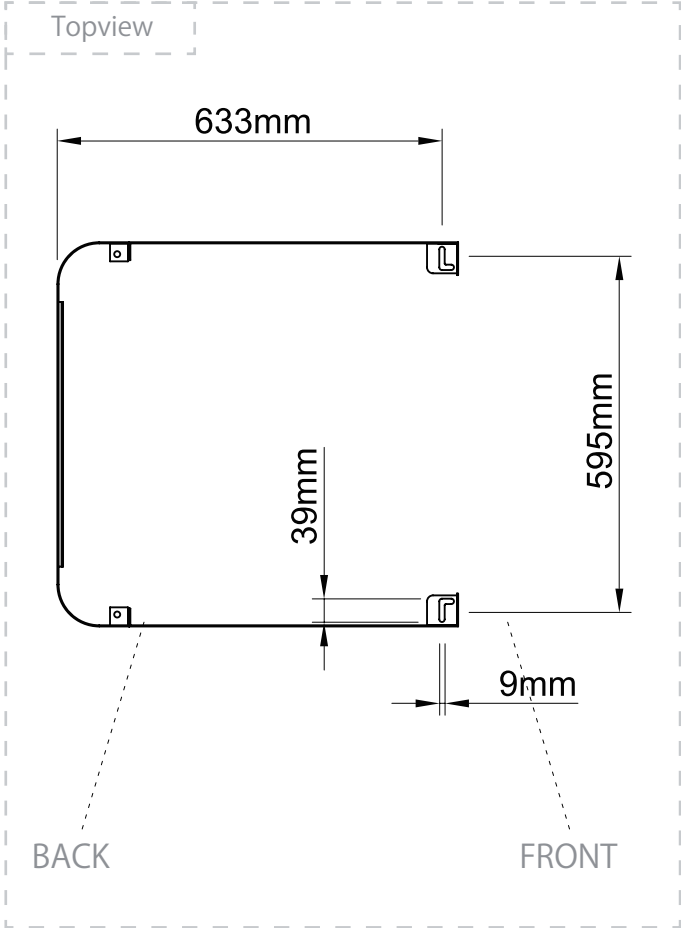
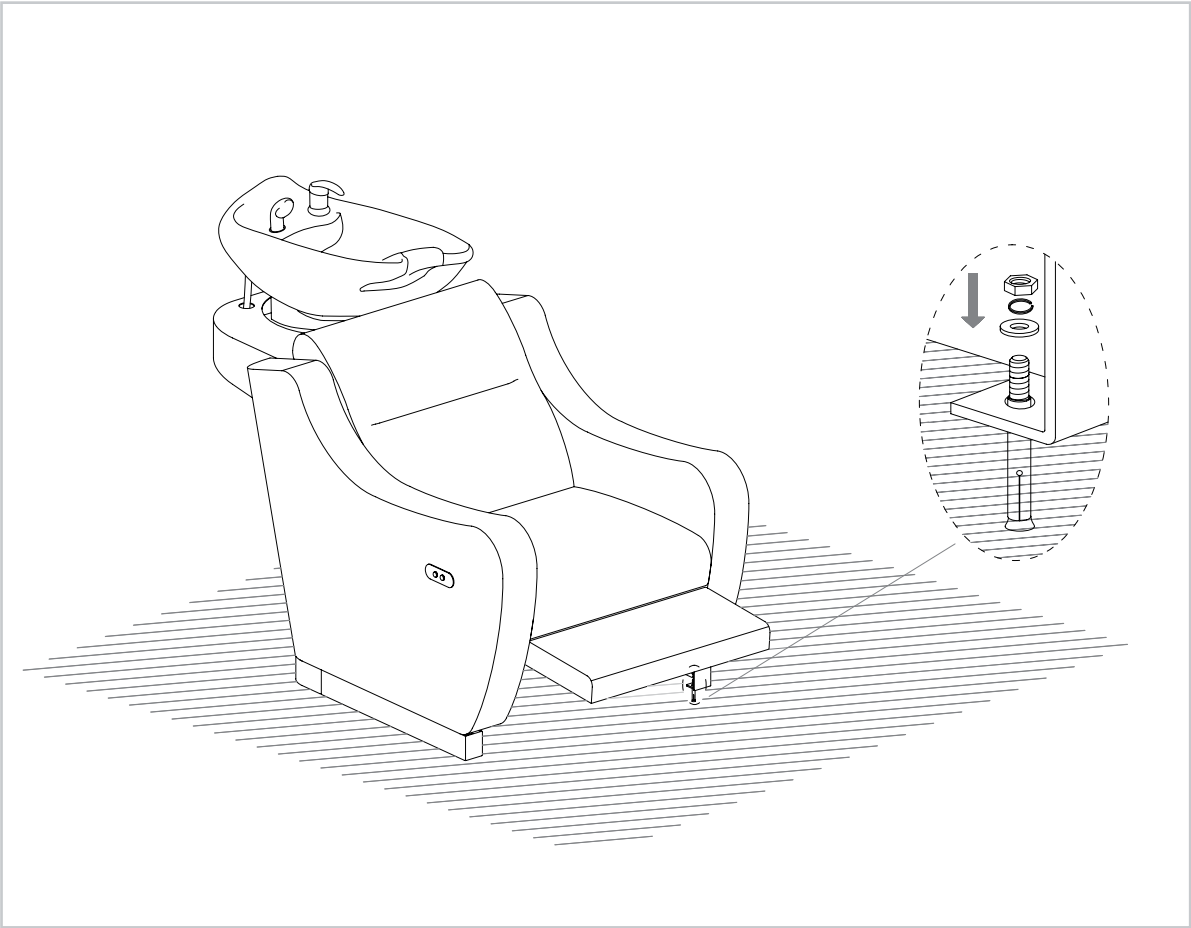


Floor plumbing setup:  
Circle opening on removable back for drain pipe exit



Please leave minimum 7 7/8" / 20cm of space measuring from finished wall to the back of the sink to allow sinks tilting position.

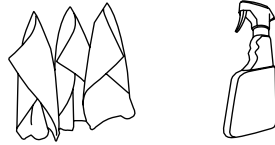
Secure the backwash on the floor by the provided floor anchors.



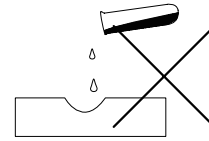
## Product care



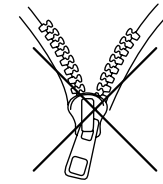
Brush away excess hair



Clean surface with damp cloth or use simple soap & water solution.



Avoid using corrosive cleaning agents such as bleaches.



Do not remove upholstery for cleaning

## Warranty

The warranty period is one year. DIR warrants to you, the original buyer, that goods shall be free of defects in material and/or workmanship attributable to manufacture for one year from date of receipt of product. Damage resulting from improper handling after merchandise is received, or from exposure to weather or extreme atmospheric conditions is not covered by the warranty. For any other information please contact our support team:

### DIR BIRMINGHAM

66 Rea Street South  
Birmingham  
B5 6LB  
UK

Tel:  
+44(0)121 6434777

Email:  
dirsalon@gmail.com

### DIR LONDON

Unit 1 River Road  
Business Park  
33 River Road, Barking  
Greater London  
IG11 0DA  
UK

Tel:  
+44(0)20 8591 9310

Email:  
dirsalon@gmail.com

### DIR NEW YORK

575 Underhill Blvd.  
Suite 170  
Syosset, NY 11791  
USA

Tel:  
+1 (718)628-6668  
+1 (800)728-2008

Email:  
sales@dirsalonfurniture.com

### DIR IRELAND

Unit 20, Goldenbridge Ind.  
Estate Tyrconnell Road  
Inchicore  
Dublin 8  
Republic of Ireland

Phone:  
+353 (1) 429 7969

Email:  
sales.ireland@dirgroup.ie