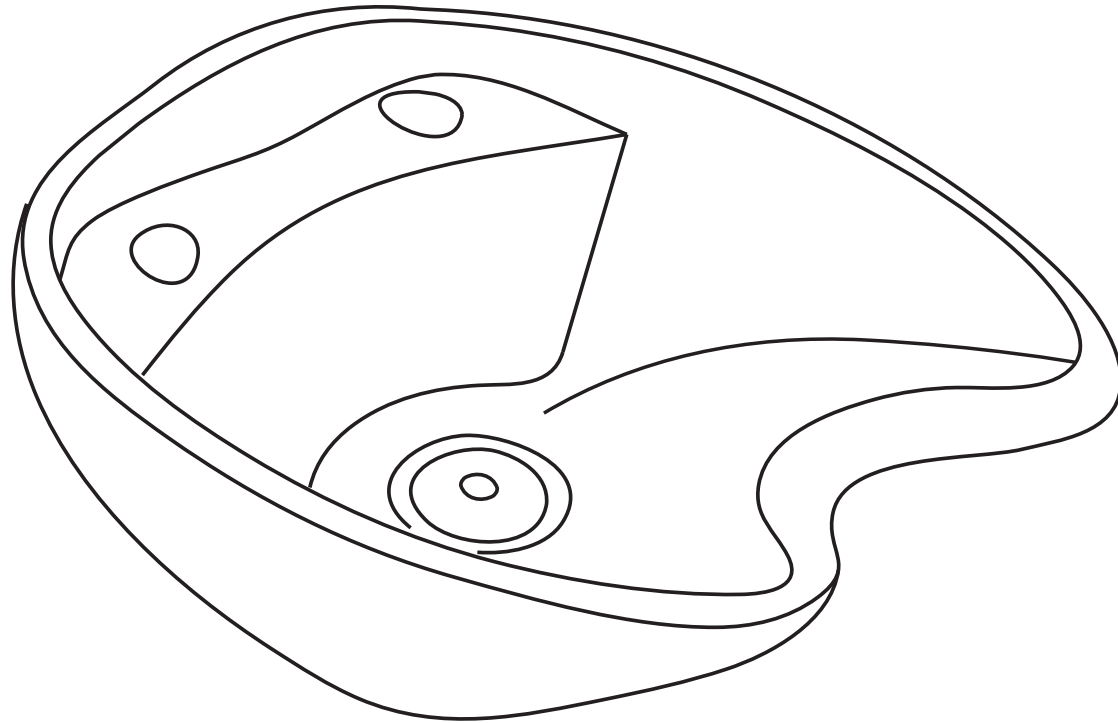
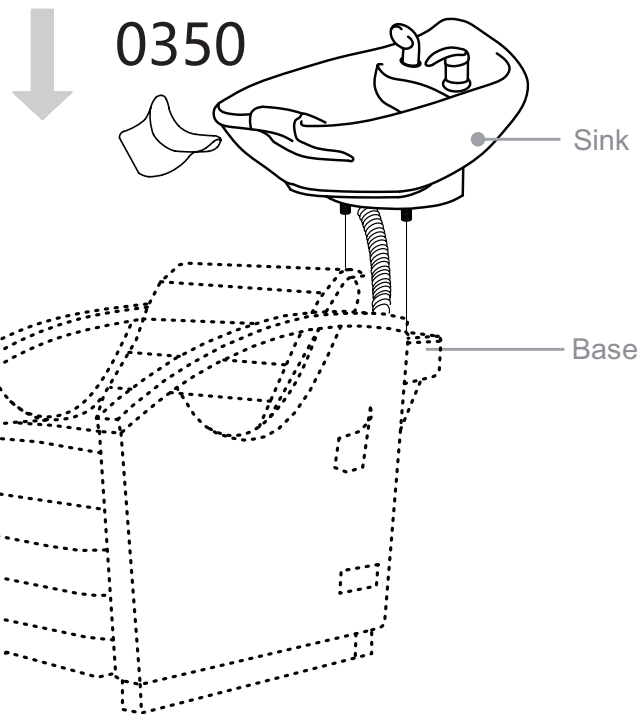
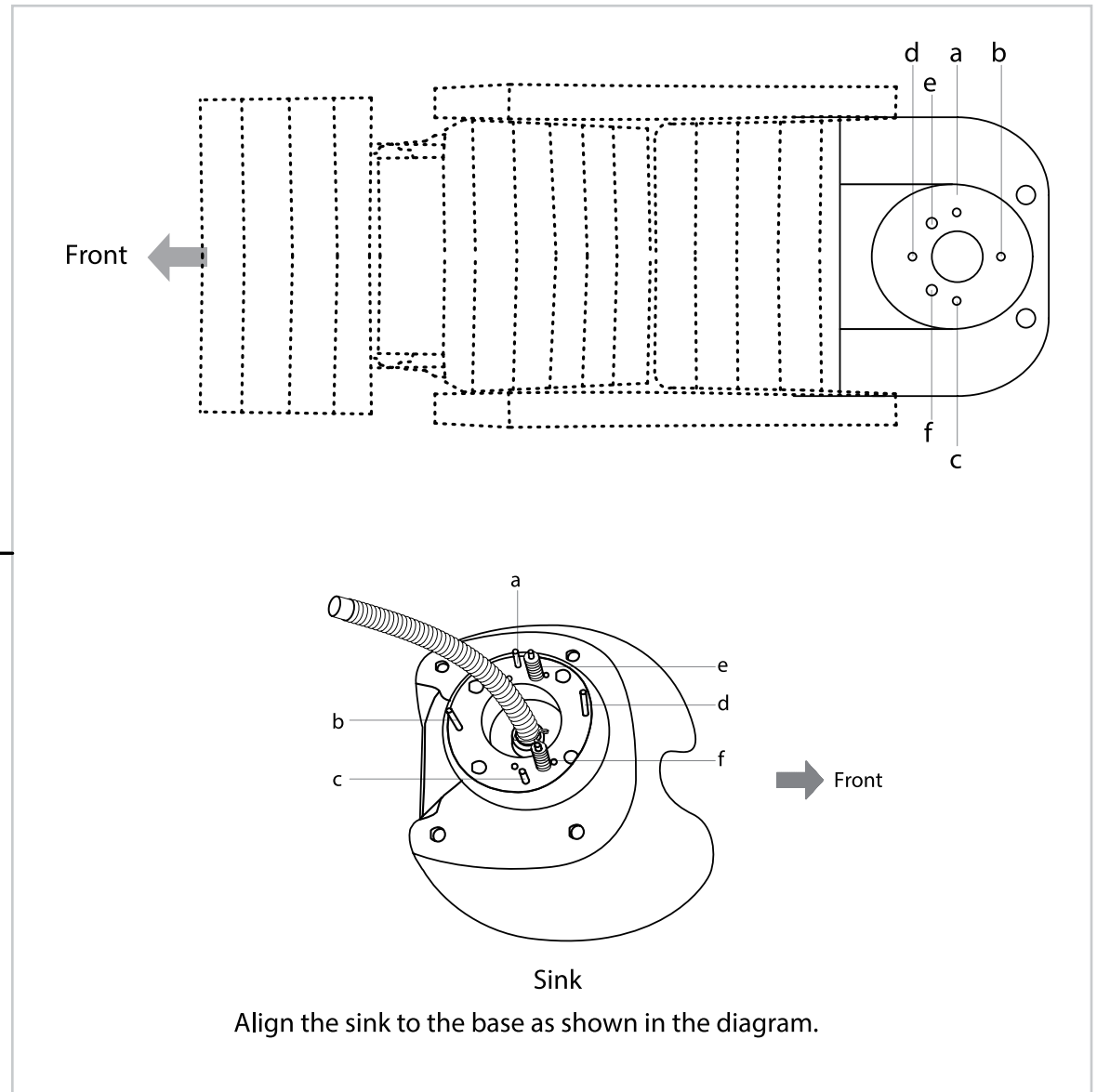
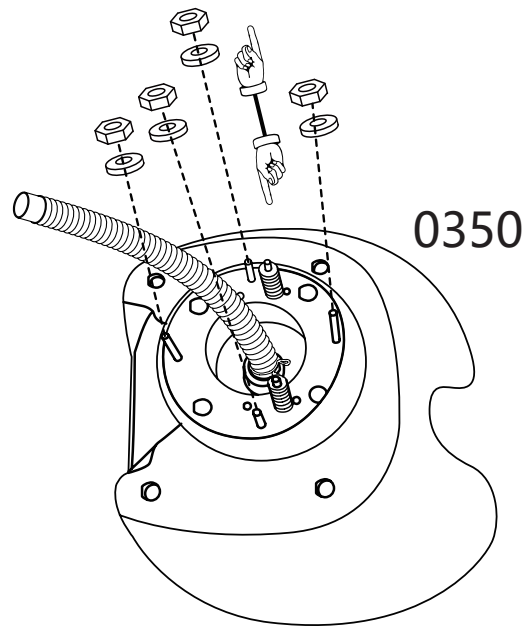


DIR[®]

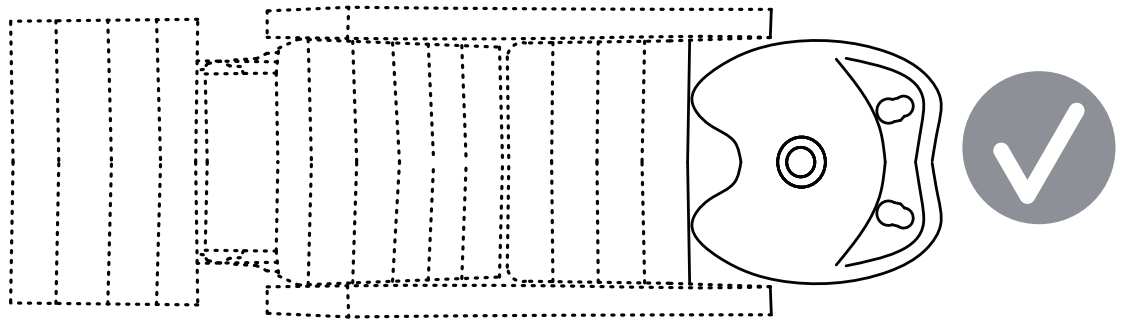
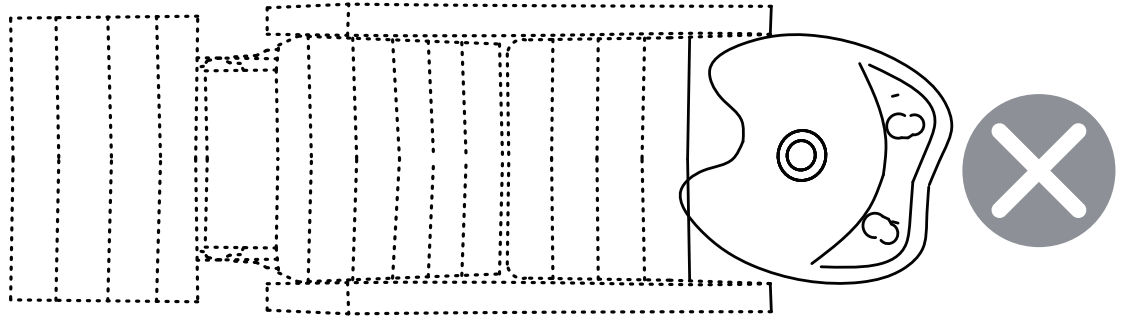
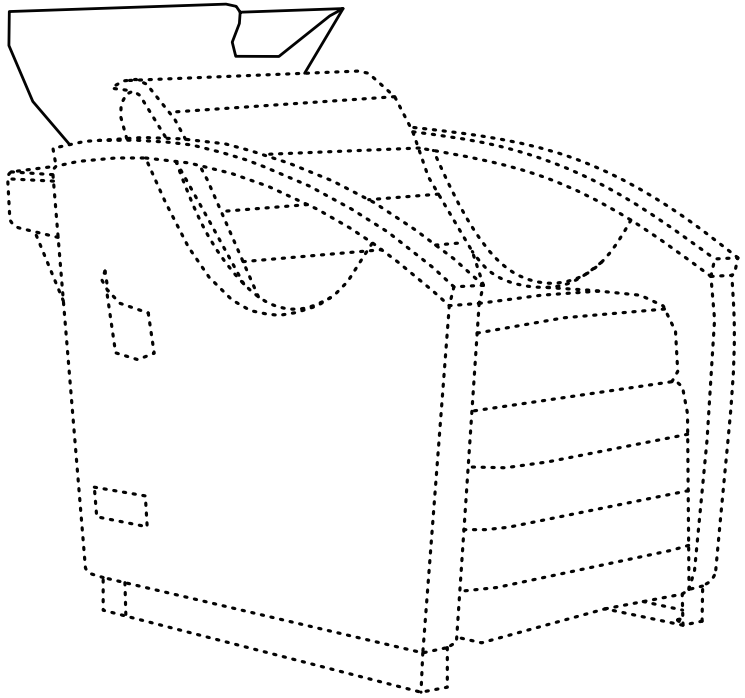
Instruction Manual



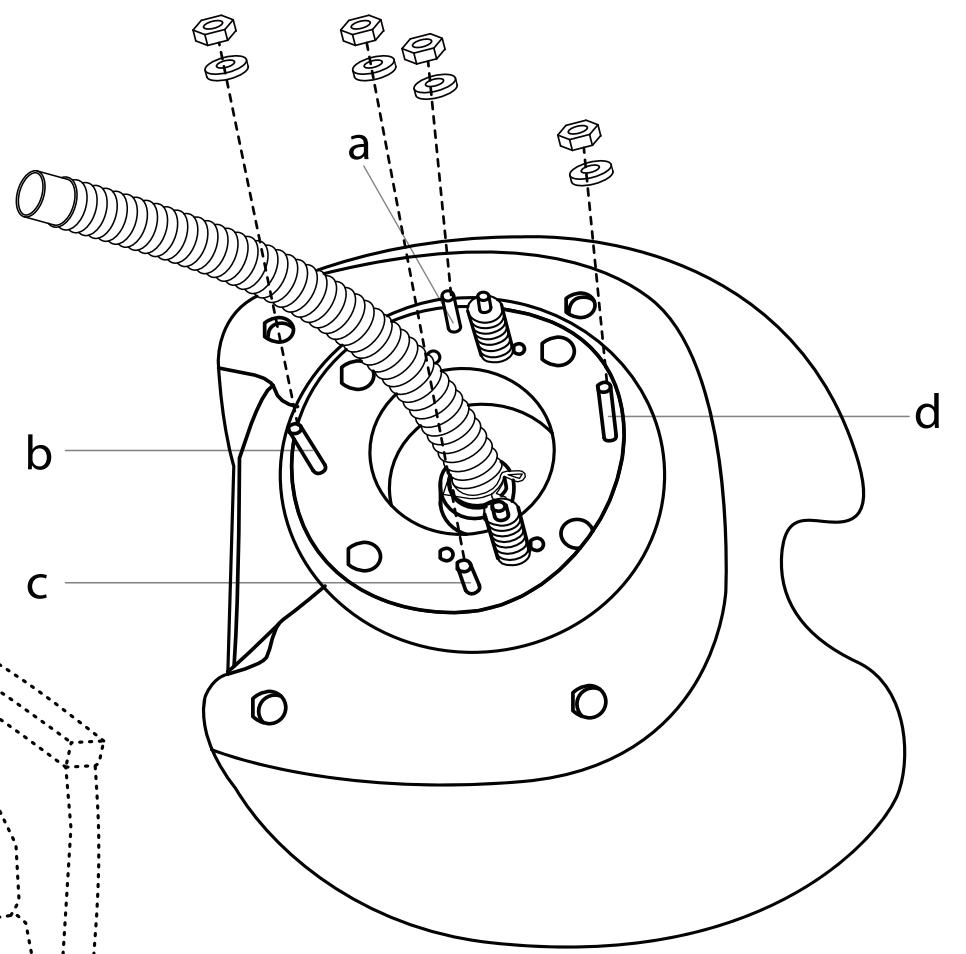
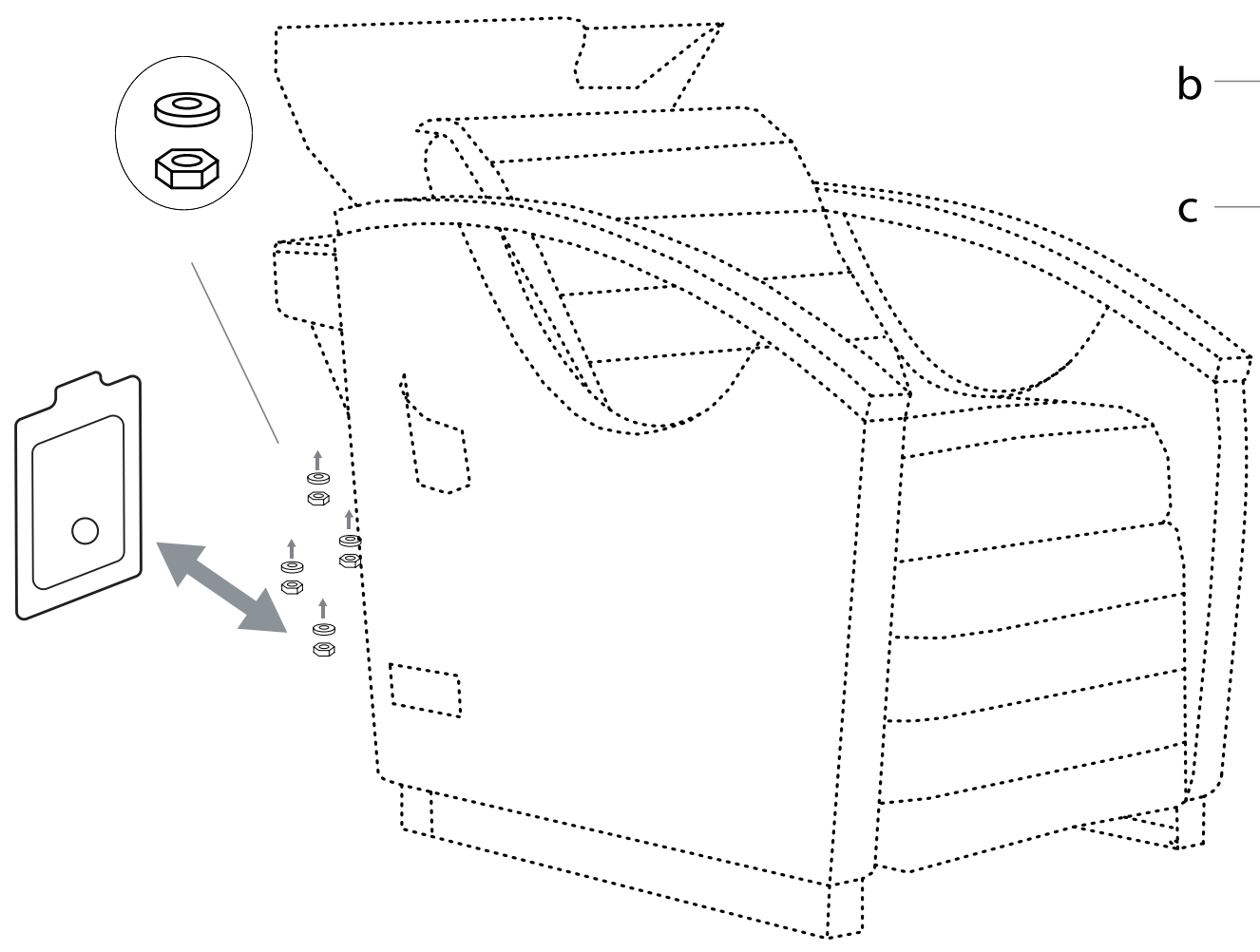
Step 1



Step 2



0350

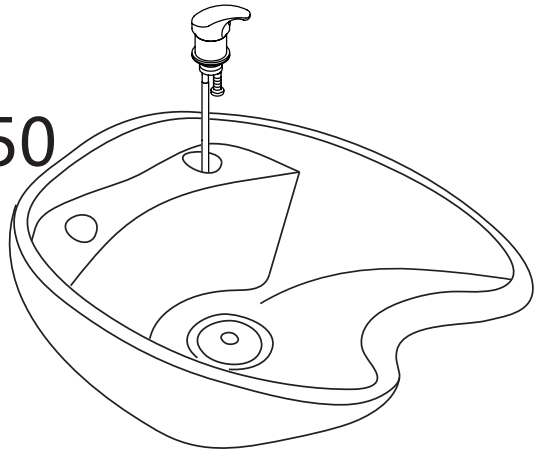


Sink

Faucet Set up

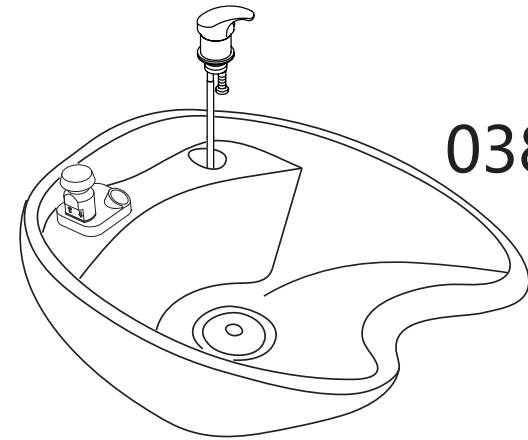
None Vacuum Breaker Sink

0350

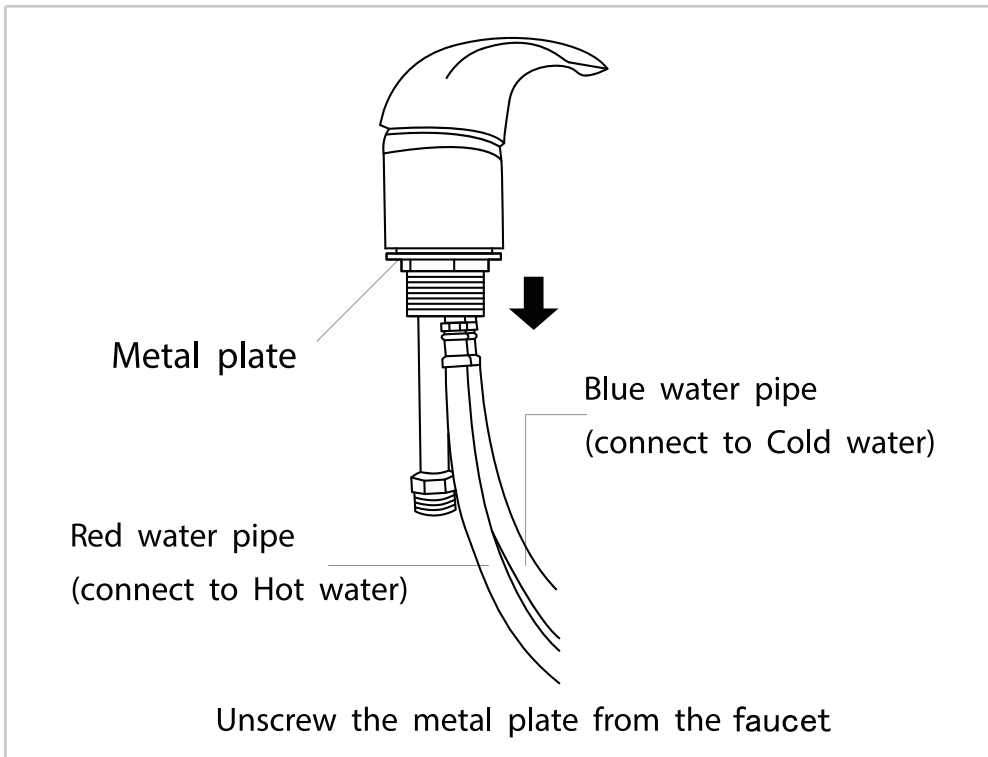


Vacuum Breaker Sink

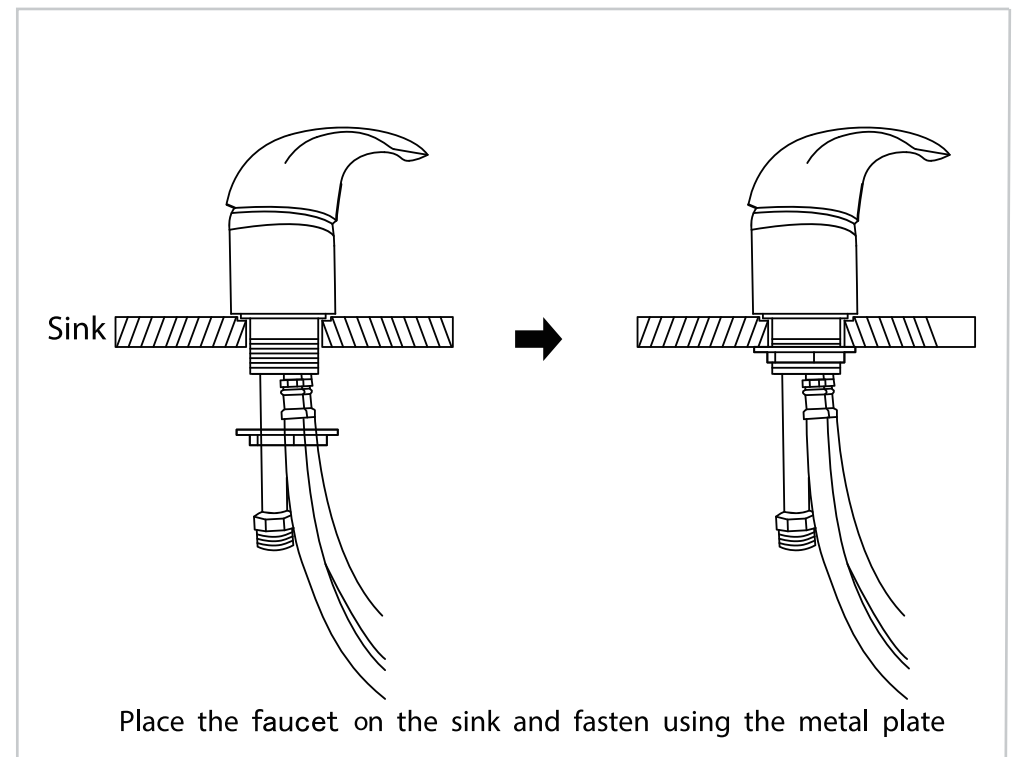
0388



or

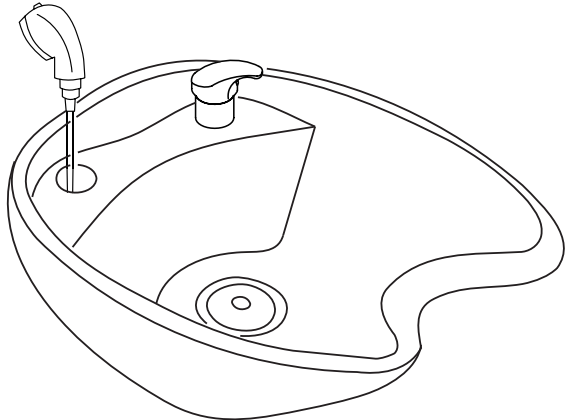


STEP 1



STEP 2

Sprayer Set Up None Vacuum Breaker Sink



0350

Fastener

↓

Unscrew the fastener from the sprayerhead holder.

STEP 1

A diagram showing a cross-section of a sprayerhead holder with a plastic fastener being unscrewed. A downward-pointing arrow indicates the direction of removal. The text 'Fastener' points to the fastener.

↑

Fasten the sprayerhead holder to the sink with the plastic fastener.

STEP 2

A diagram showing a cross-section of a sink with a sprayerhead holder being inserted. An upward-pointing arrow indicates the direction of insertion. The text 'Fasten the sprayerhead holder to the sink with the plastic fastener.' is below the diagram.

↓

Unscrew the sprayerhead from the sprayer hose.

STEP 3

A diagram showing a sprayerhead being unscrewed from a sprayer hose. A downward-pointing arrow indicates the direction of removal.

↑

↓

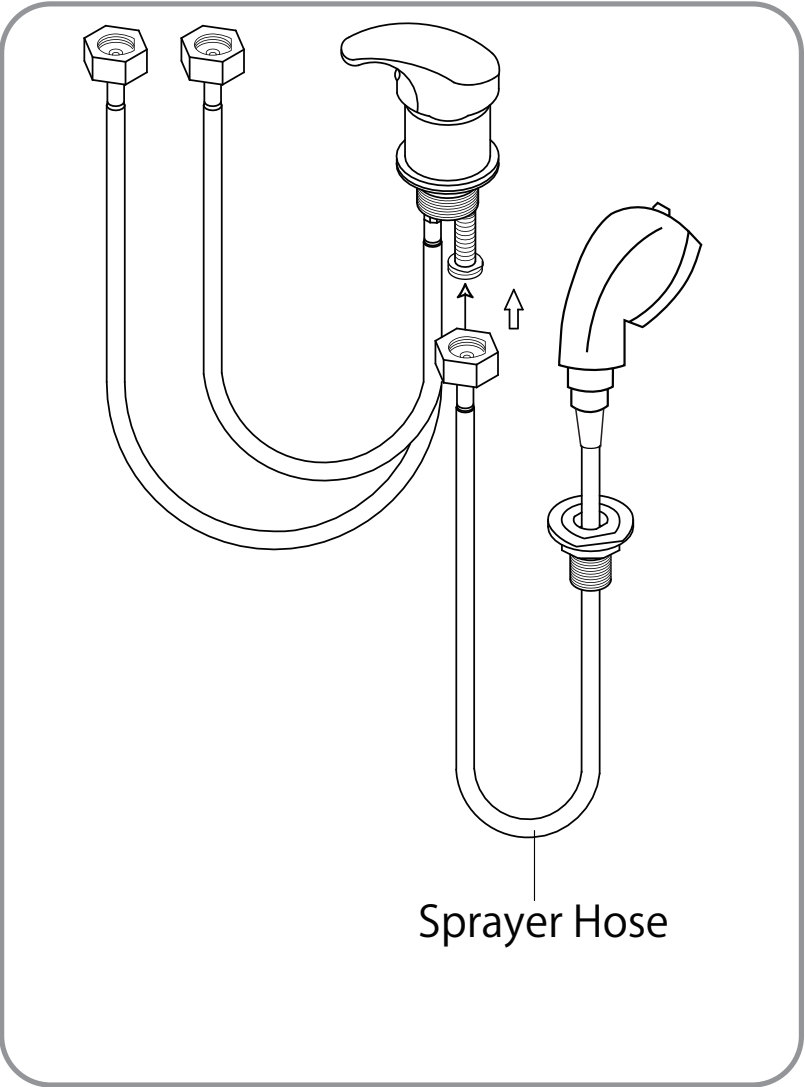
Place the sprayer hose from underneath through the sprayerhead holder and fasten the sprayerhead to the sprayer hose.

STEP 4

A diagram showing a sprayer hose being inserted into a sprayerhead holder from underneath. An upward-pointing arrow indicates the direction of insertion. A downward-pointing arrow indicates the direction of the sprayerhead being fastened to the hose.

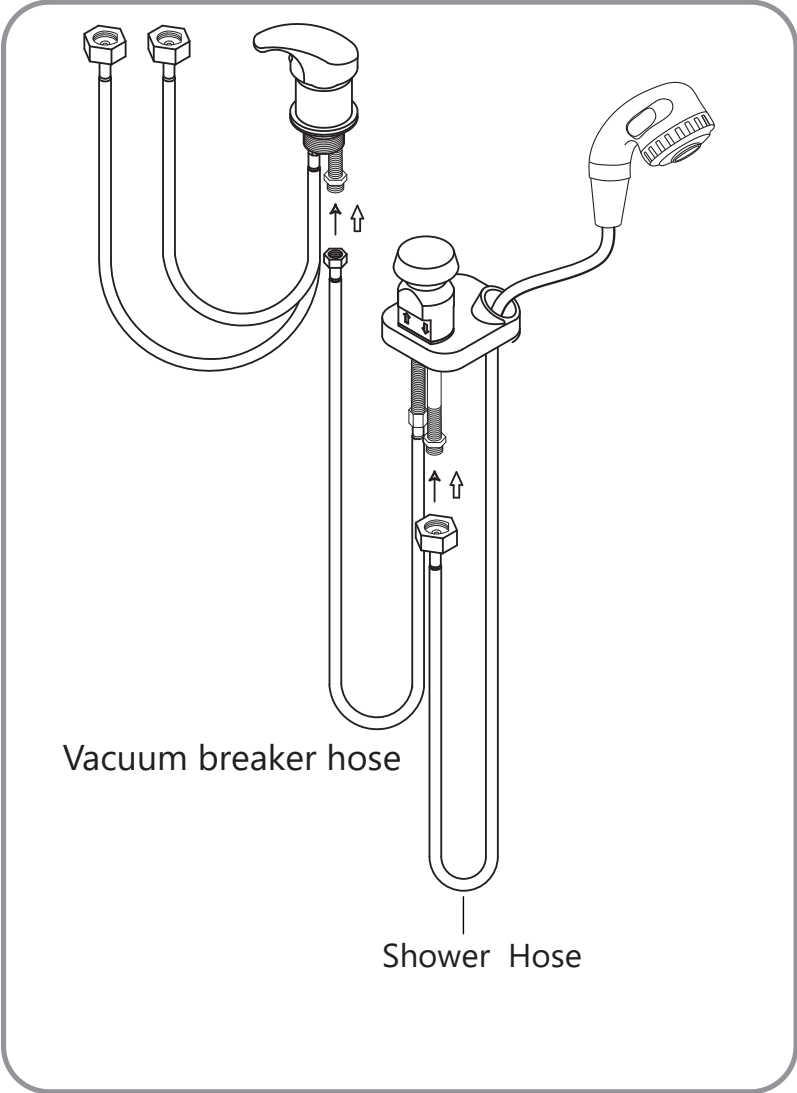
STEP 4

None Vacuum Breaker Sink



or

Vacuum Breaker Sink



Plumbing setup:

*removable back panel to route both water supply lines and make all connections.

