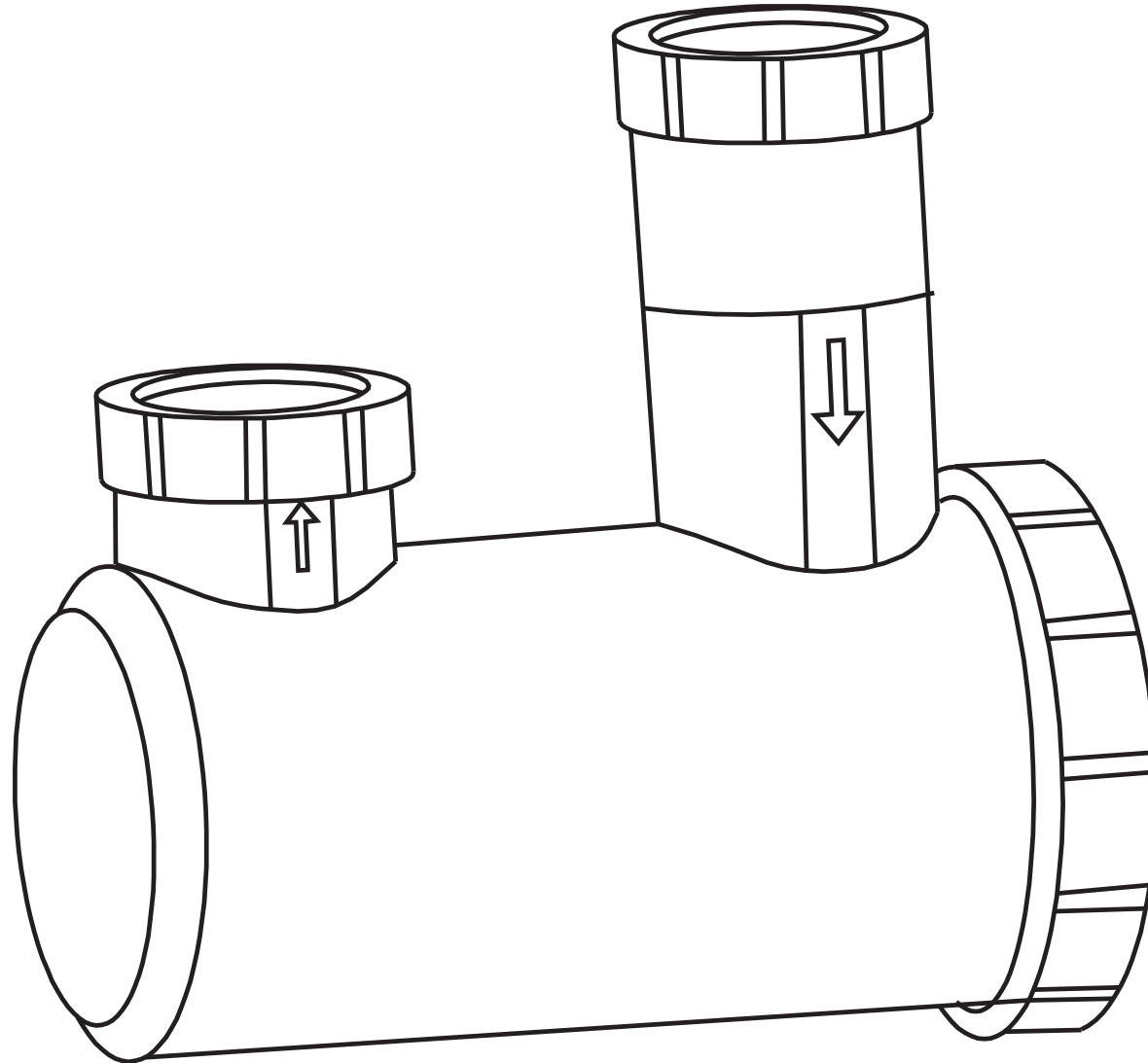
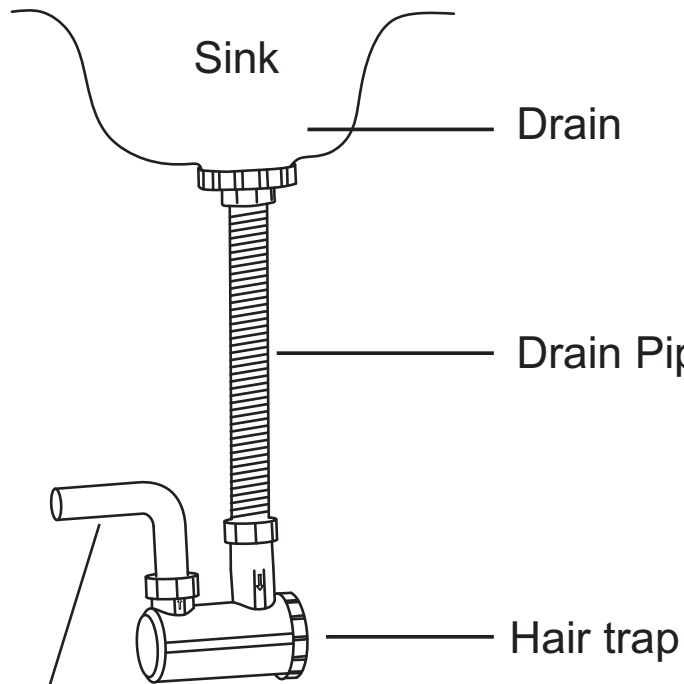


Hair Trap For Shampoo Bowls

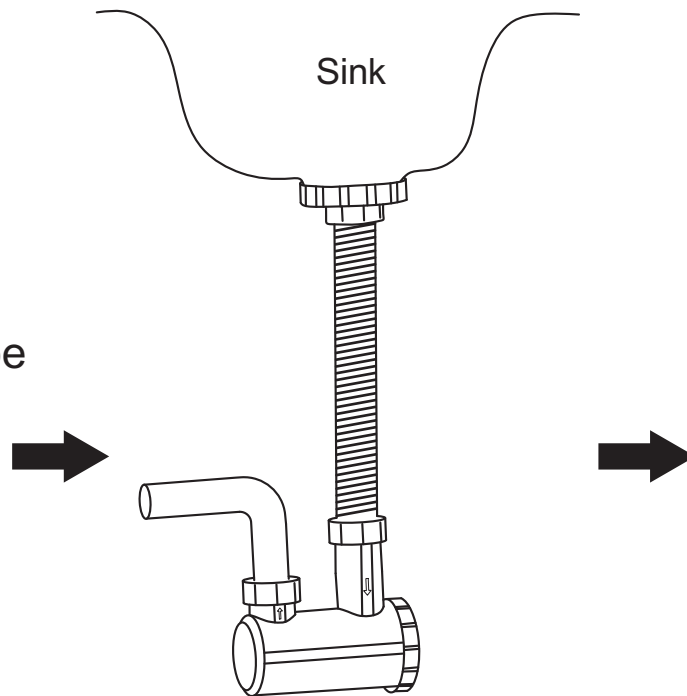
HT001

INSTRUCTION MANUAL





get ready another
pipe required for
installation



To install

1. Place slip nut and washer over 1 1/2" tall piece.
2. Place slip nut over flange of elbow pipe (not included).
3. Install hair trap and tighten slip nuts.
4. Run water and check for leaks.

