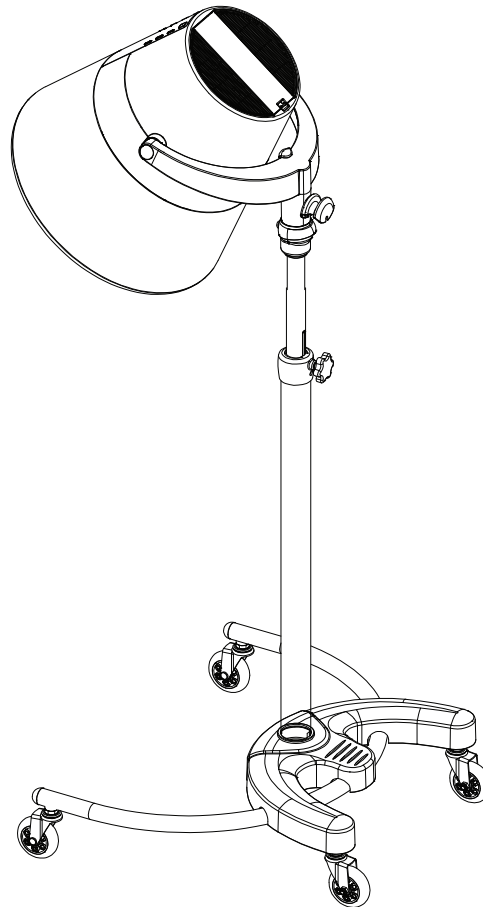


DIR[®]

Orion Free Standing

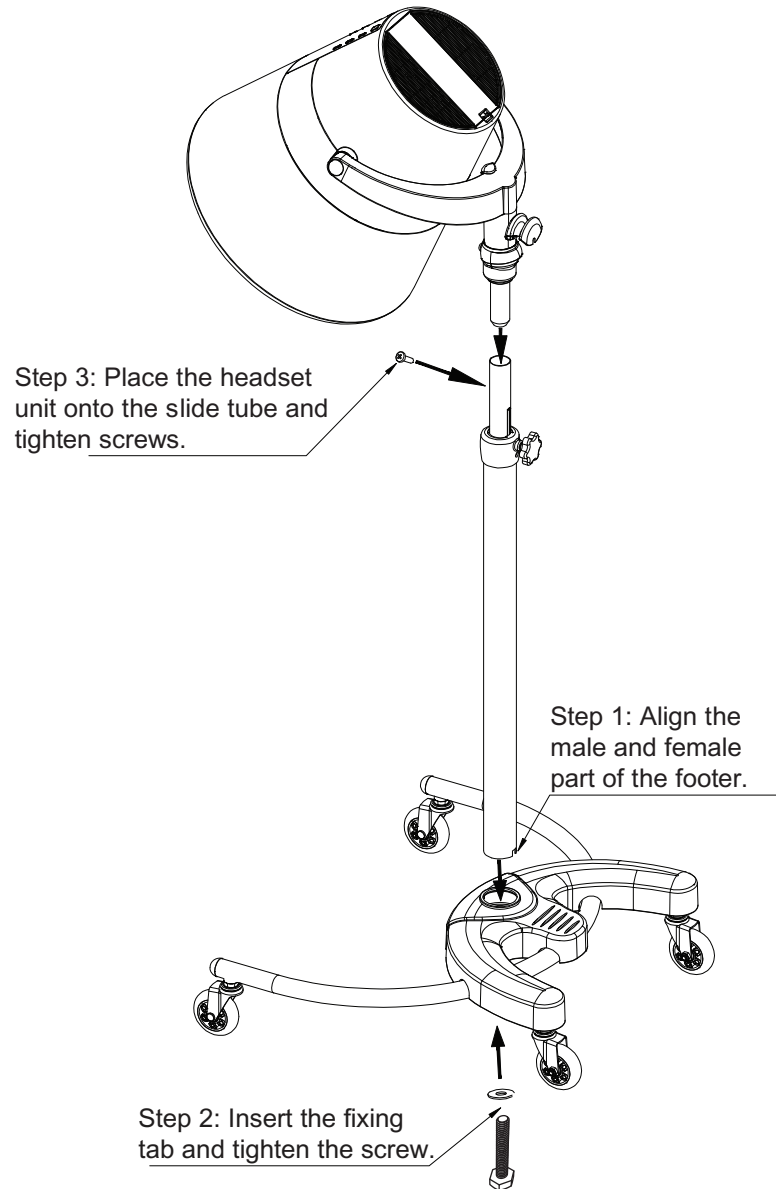
H136FS / H136

INSTRUCTION MANUAL



ASSEMBLY INSTRUCTIONS

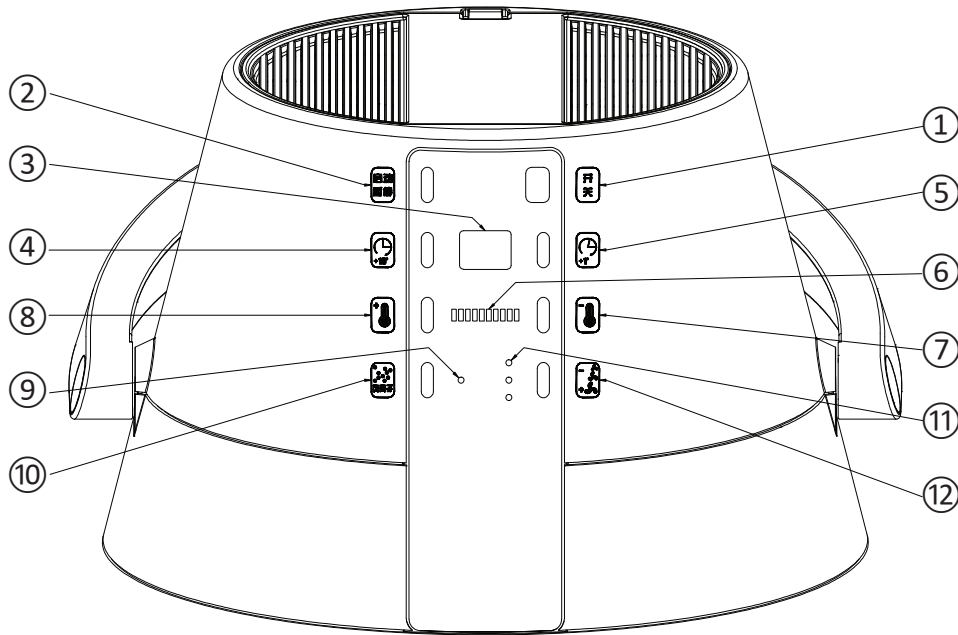
Floor Standing Type



CARE INSTRUCTIONS

1. The inner cap can get dirty easily, please clean regularly. Chemicals such as hair dyes can cause dysfunction.
2. Wipe clean with a soft, dry cloth when cleaning. If water splashes on the panel, immediately wipe it off with a dry cloth, otherwise the machine will malfunction.

CONTROL PANEL



(1) Main power switch

To turn on or off the machine.

(2) Start/Pause button

After turn on the machine, set the time, temperature and other programs. Press this button to enter the working mode. You may press this button to pause the machine, the time display will flash, and the machine will not display the first gear.

(3) Time display

It shows the working time, max. time 60 minutes.

(4) Time increase button +10

Each time you press it, it will increase 10 minutes; if the display time is 60 minutes, continue to press this button to change the time to 10 minutes.

(5) Time increase button +1

Each time you press it, it will increase 1 minute; if the display time is 60 minutes, continue to press this button to change the time to 1 minute.

(6) Temperature display

Total of 6 set temperatures.

(7) Temperature adjustment button -

This button is used to decrease the temperature.

(8) Temperature adjustment button +

This button is used to increase the temperature.

(9) Ion display

When the light is on it indicates ion mode is turned on.

(10) Turn on/off ion mode

Press this button to turn on or off the ion mode.

(11) Wind speed adjustment button

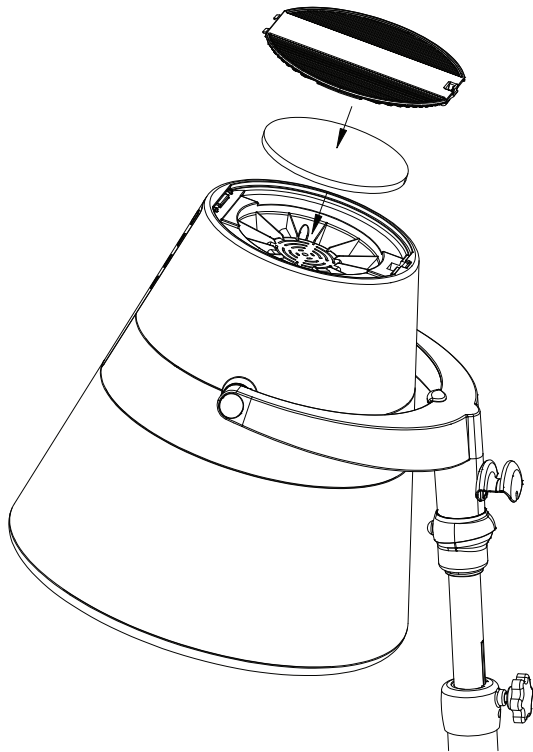
Press this button to change the wind level, total of 3 levels.

(12) Wind speed display

It shows the speed of wind mode.

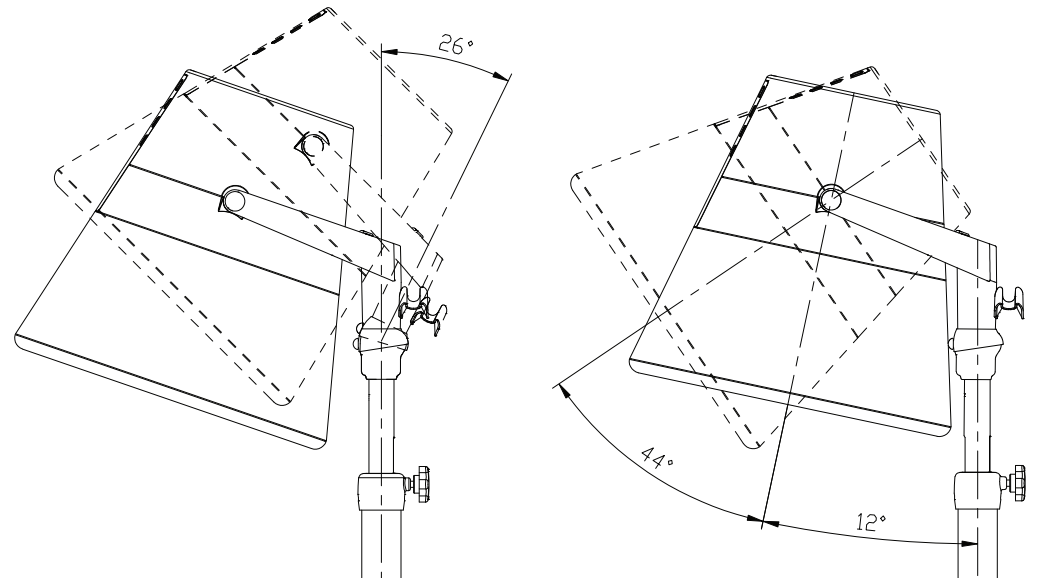
FILTER INSTALLATION

1. Before starting the machine, check if the filter cotton is installed. If not, please do not use it. Report to the manufacturer or seller.
2. Filter cotton should be cleaned regularly.



OPERATING INSTRUCTIONS

1. Assembled the machine as shown in the installation instructions.
2. Make sure that the voltage used is the same as the rated voltage of the product.
3. To achieve the best comfort, helmet can be adjusted to different angles, as shown below :



4. Press the main power switch:

- When working program is ready, initial mode: time display 25 minutes; temperature display: sixth gear; the wind speed: first gear; the ion mode is off.
- If the customer defaults to the initial mode, press the start/stop button to start the machine; customer needs to adjust the working time, press the time to increase the key; adjust the working temperature, press the "Temperature adjustment button -" to lower the temperature. File; each time you press the "Temperature adjustment button + " to raise a temperature level. ;

5. When machine is running

- Machine warm up time 2 mins, light stops flashing after 2 mins. The indicator light on the headset will turn on.
- After 2 mins, the machine will be on working mode, the time display shows the remaining time.
- When remaining time shows 10 mins, the indicator light will light up green.

- When remaining time shows 1 min, the indicator light on the headset will indicate red and green lights at the same time. And it does not generate heat and send air. Apart from the main power switch, all keys will be locked.

6. Change the working program during operation

- Time, temperature, and wind speed can be changed during operation.

7. End of work mode

- After the work is finished, the time display becomes " 0" , the time electronic alarm beep 3 times, and the indicator light on the headset wil lights up in green.

TECHNICAL PARAMETERS

220-240V ~ 50/60HZ 1000W

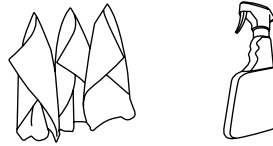
110-120V ~ 50/60HZ 1000W

READ THE INSTRUCTIONS BEFORE USING THE MACHINE

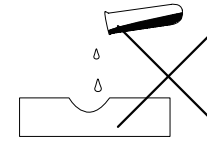
1. Ensure the correct voltage is been used on the product.
2. Operating environment: room temperature between 5°C to 25°C; no more than 95% relative humidity.
3. Do not insert metal objects into the machine to ensure user safety.
4. Do not use in flammable gases, objects and similar environments to avoid electric shock.
5. After the power is turned on, if abnormal conditions are found, please send it to the maintenance department or find a professional to repair it. Do not disassemble and repair it yourself.
6. Do not pull the power cord to pull out the power plug. Please grasp the power plug and pull it out; do not move the product by pulling the power cord and grabbing the head of the machine. It is strictly forbidden to use outdoors.
7. It is strictly forbidden to bend, stretch or bump the power cord. If the power cord is damaged, it must be replaced by the manufacturer, its service department, or a similarly qualified person to avoid danger.
8. When it is found that the machine is damaged due to the drop, or the internal electrical parts of the machine can be seen. Please do not attempt to connect the power supply. You must inform the manufacturer or supplier immediately.
9. This device is not intended for use by children unless it is used safely under the direction or assistance of a person with safety responsibility.



Brush away excess hair



Clean surface with damp cloth or use simple soap & water solution.



Avoid using corrosive cleaning agents such as bleaches.

Warranty

The warranty period is one year. DIR warrants to you, the original buyer, that goods shall be free of defects in material and/or workmanship attributable to manufacture for one year from date of receipt of product. Damage resulting from improper handling after merchandise is received, or from exposure to weather or extreme atmospheric conditions is not covered by the warranty. For any other information please contact our support team:

DIR BIRMINGHAM

66 Rea Street South
Birmingham
B5 6LB
UK

Tel:
+44(0)121 6434777

Email:
dirsalon@gmail.com

DIR LONDON

Unit 1 River Road
Business Park
33 River Road, Barking
Greater London
IG11 0DA
UK

Tel:
+44(0)20 8591 9310

Email:
dirsalon@gmail.com

DIR NEW YORK

575 Underhill Blvd.
Suite 170
Syosset, NY 11791
USA

Tel:
+1 (718)628-6668
+1 (800)728-2008

Email:
sales@dirsalonfurniture.com

DIR IRELAND

Unit 20, Goldenbridge Ind.
Estate Tyrconnell Road
Inchicore
Dublin 8
Republic of Ireland

Phone:
+353 (1) 429 7969

Email:
sales.ireland@dirgroup.ie