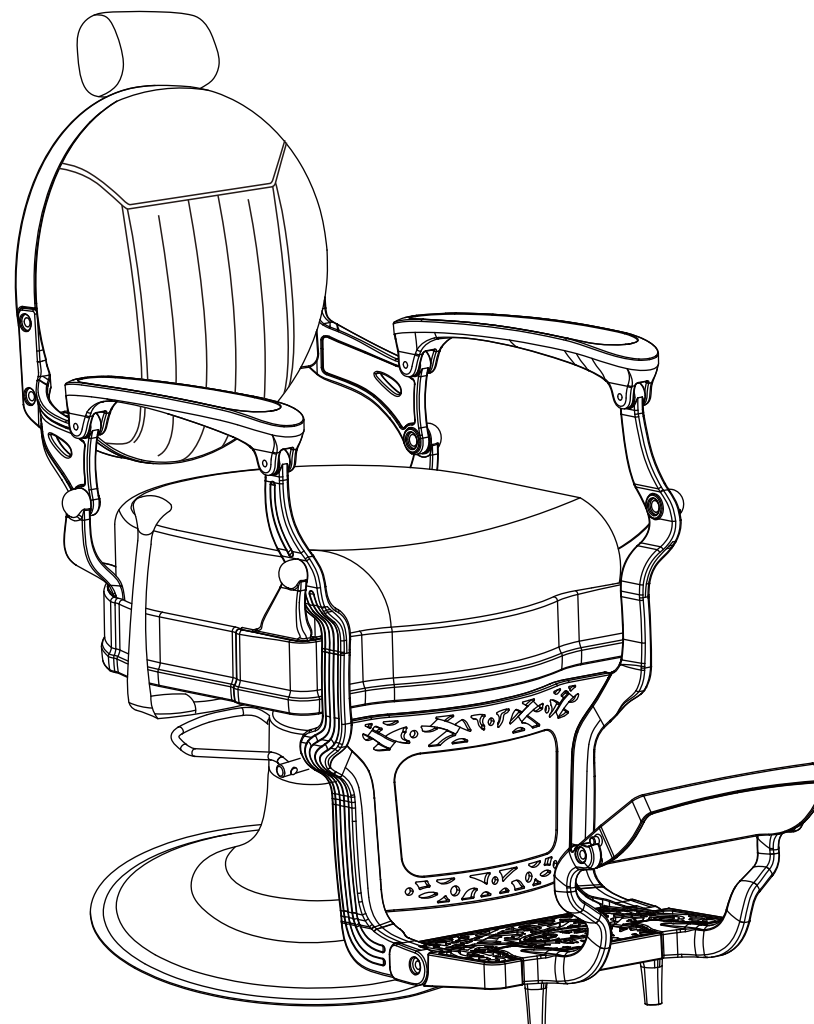


DIR[®]

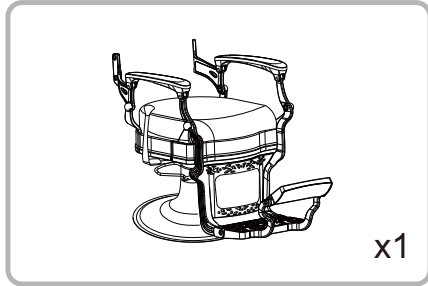
RIO

2822

INSTRUCTION MANUAL

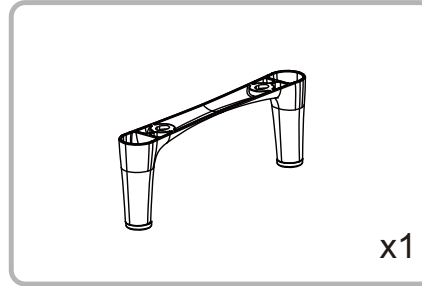


List of Parts & Tools



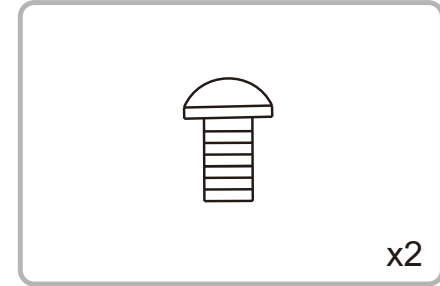
x1

101001



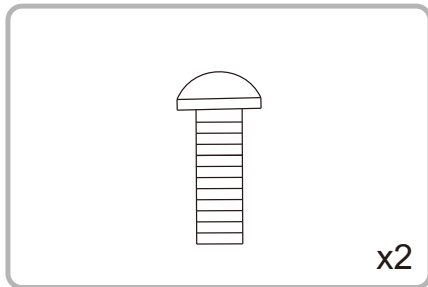
x1

101002



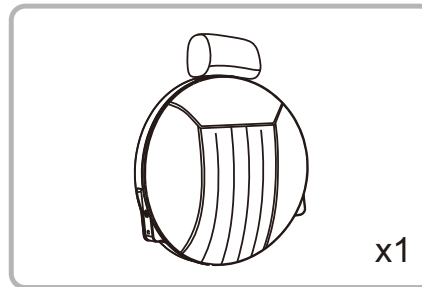
x2

101003



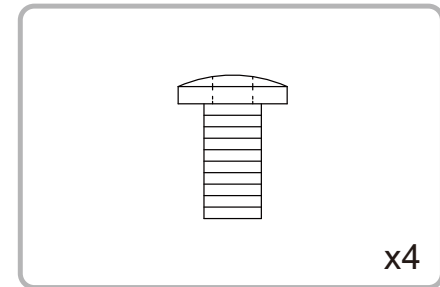
x2

101004



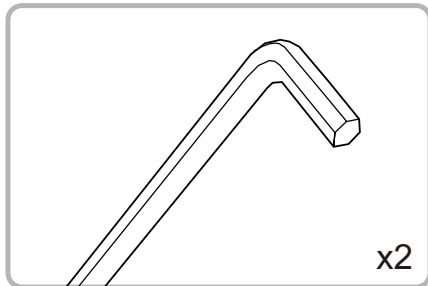
x1

101005



x4

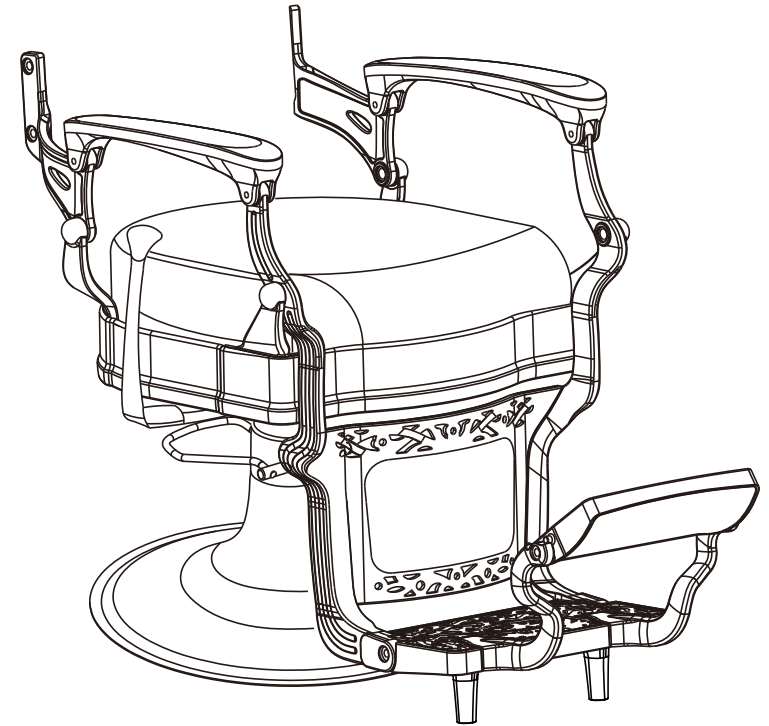
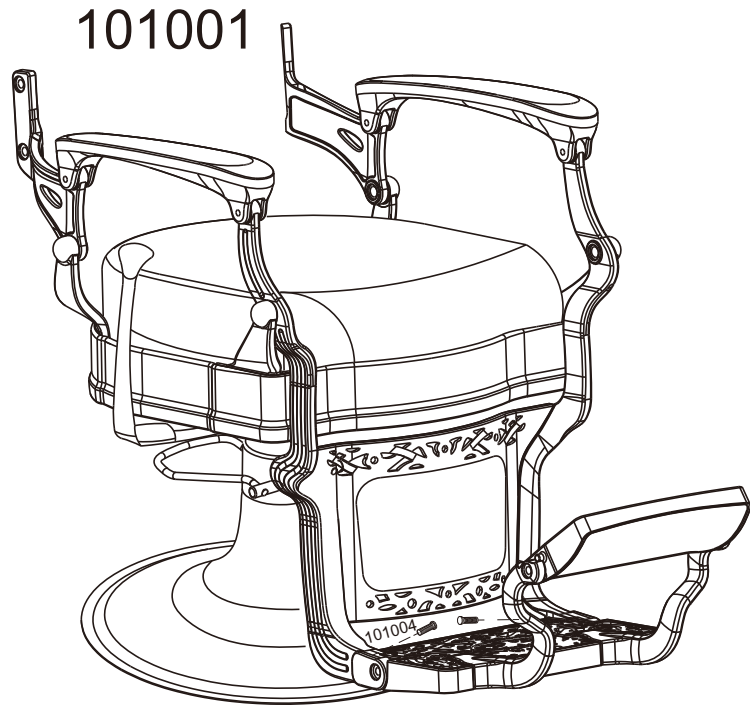
101006



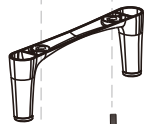
x2

101007

Step 1

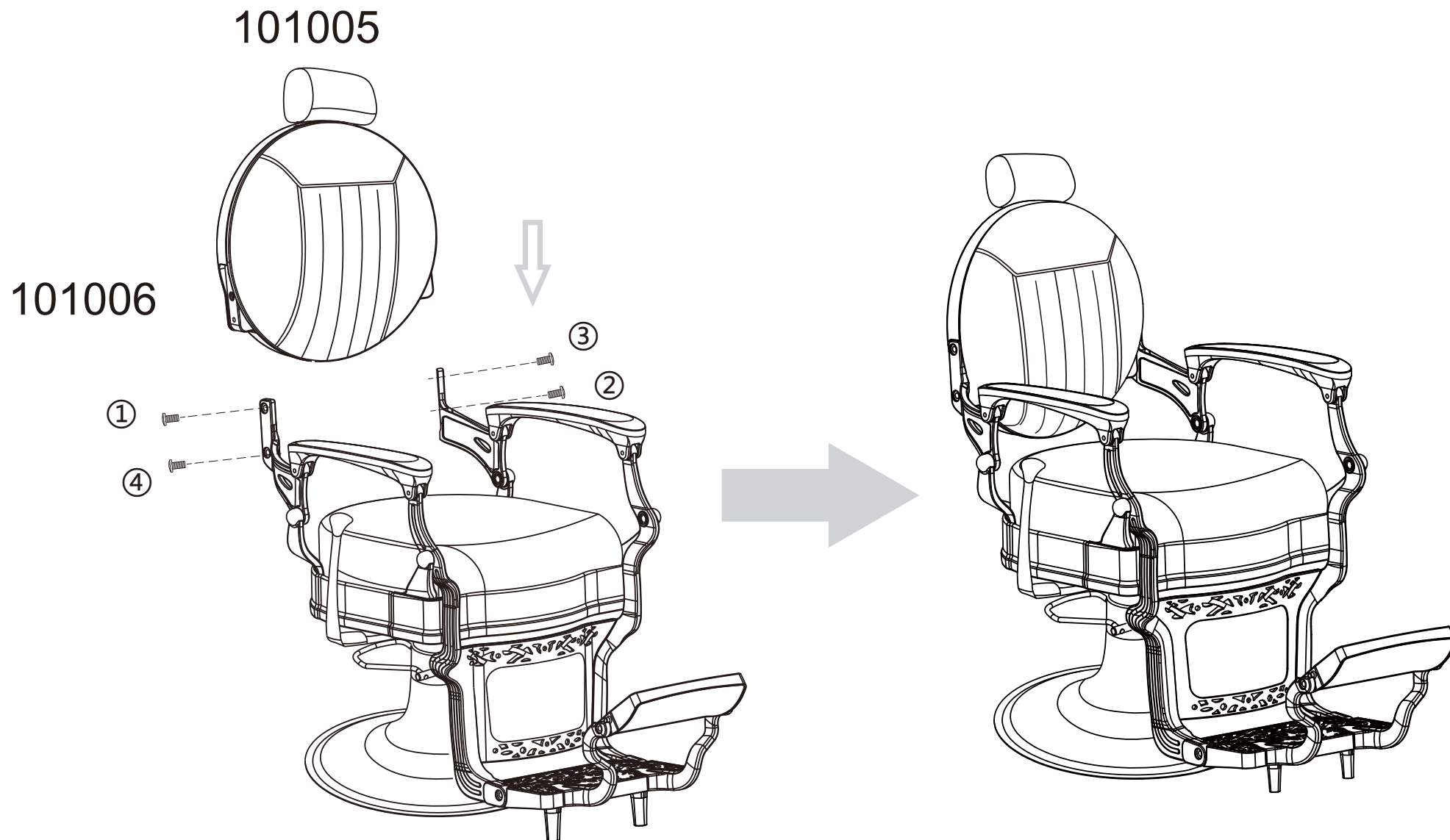


101002



101003

Step 2

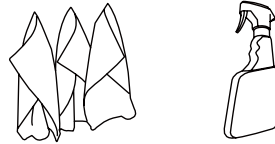


First tighten 1 to 4. Do not tighten them all at once.
Wait until all 4 screws are aligned before tightening the 4 screws

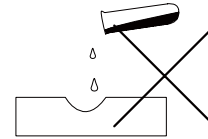
Product care



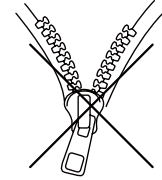
Brush away excess hair



Clean surface with damp cloth or use simple soap & water solution.



Avoid using corrosive cleaning agents such as bleaches.



Do not remove upholstery for cleaning

Warranty

The warranty period is one year. DIR warrants to you, the original buyer, that goods shall be free of defects in material and/or workmanship attributable to manufacture for one year from date of receipt of product. Damage resulting from improper handling after merchandise is received, or from exposure to weather or extreme atmospheric conditions is not covered by the warranty. For any other information please contact our support team:

DIR Birmingham

66 Rea Street South
Birmingham
B5 6LB

Email: sales@dirstore.co.uk
Phone: +44 (0) 121 6434777

DIR London

Unit 1 River Road Business Park,
33 River Road, Barking,
Greater London, 1G11 0DA

Email: london@dirstore.co.uk
Phone: +44 (0) 20 8591 9310

DIR New York

575 Underhill Blvd Suite #170
Syosset, NY 11791, USA

Email: sales@dirsalonfurniture.com
Phone: +1 (718) 628 6668
+1 (800) 728 2008
Fax: +1 (855) 628 5168