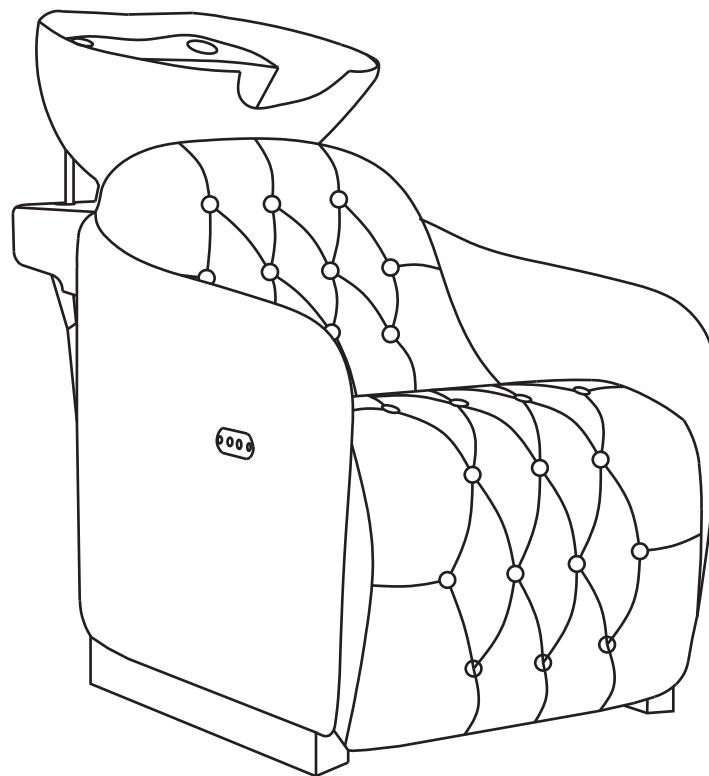


DIR[®]

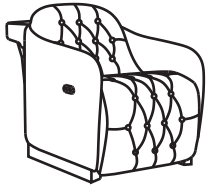
YUME DREAMING

7816

INSTRUCTION MANUAL

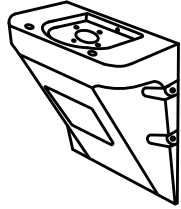


List of Parts & Tools



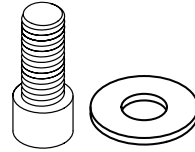
x1

101001



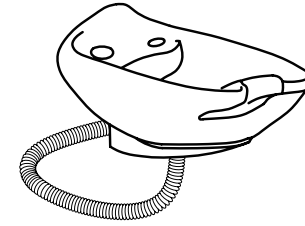
x1

7001



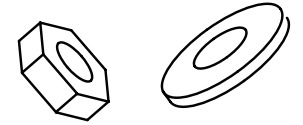
x4

101003



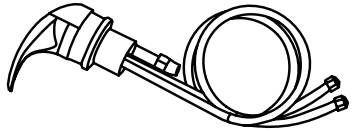
x1

0350/0388



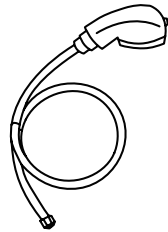
x4

101005



x1

101006



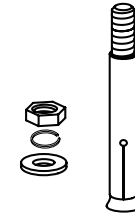
x1

101007



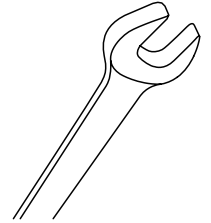
x1

101008

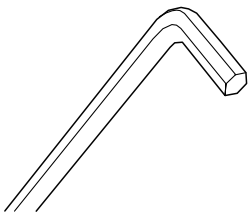


x2

101009



101010

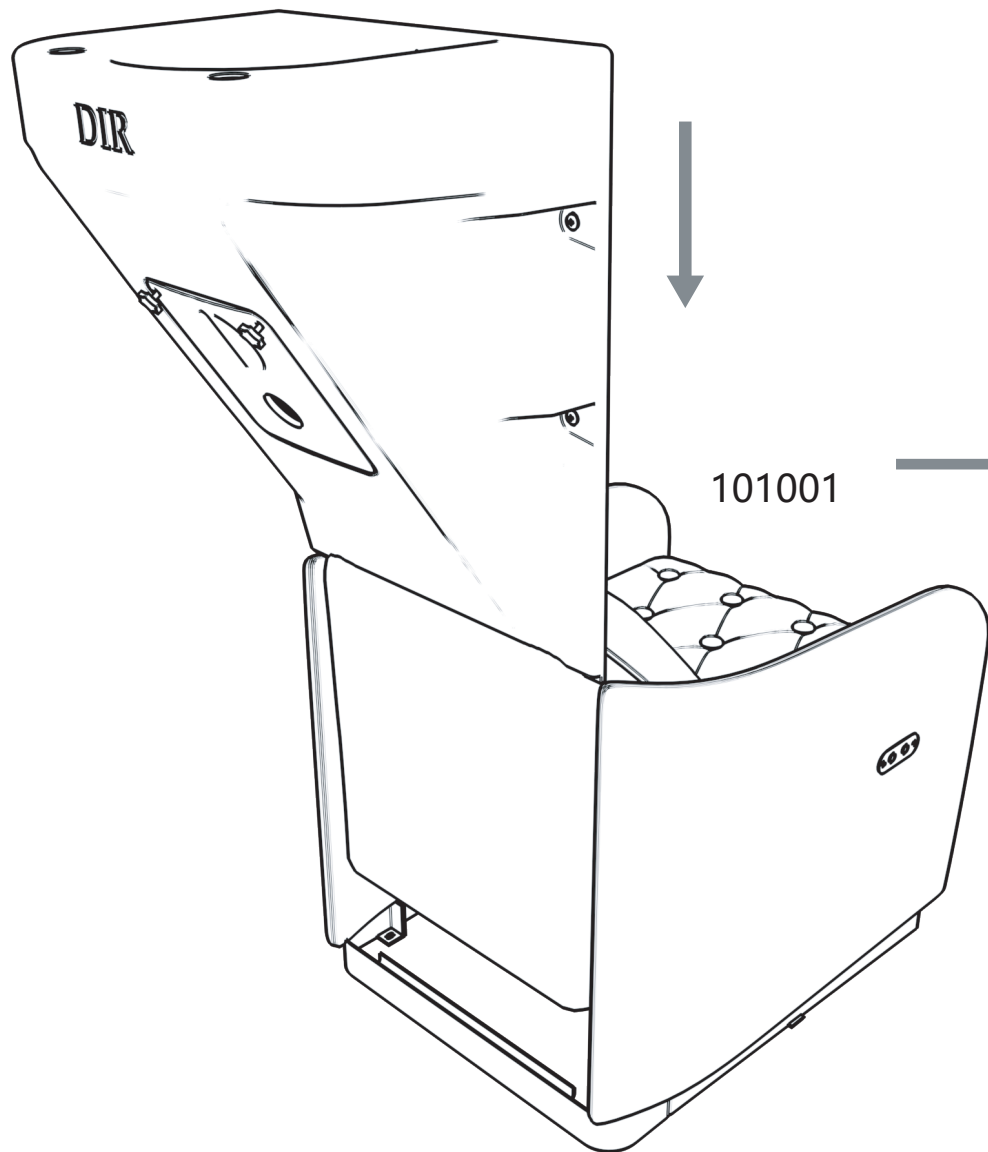


101011

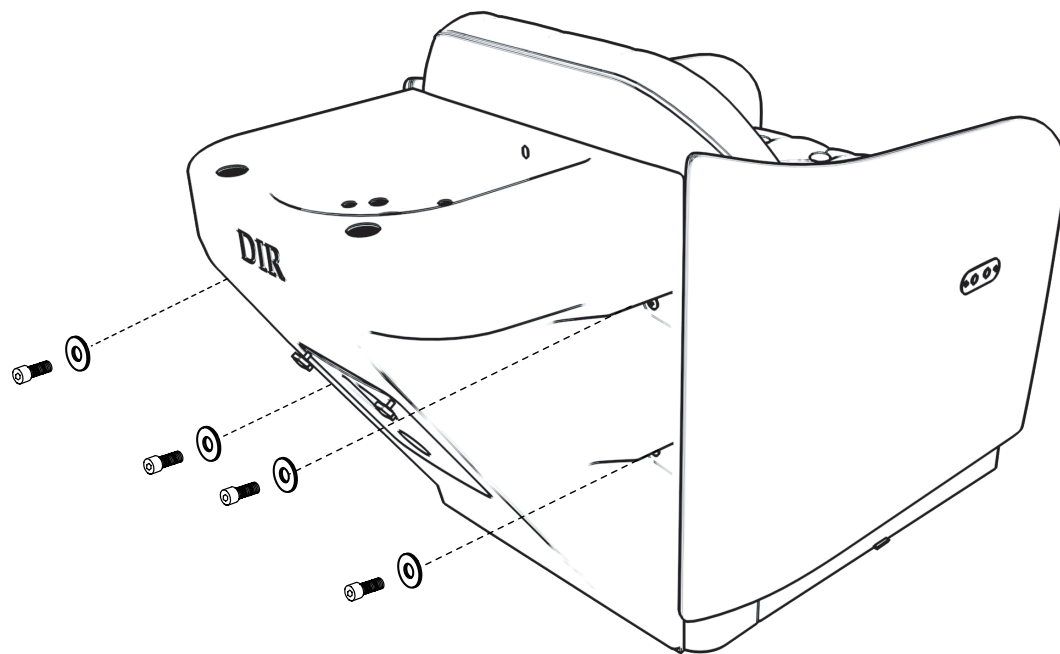
Type	USA size	UK size
Water supply lines Adapter	$\frac{5}{8}$ "	$\frac{1}{2}$ "
Drain Hose Connector	$1 \frac{1}{4}$ "	3.2cm

Assembly Instruction 1

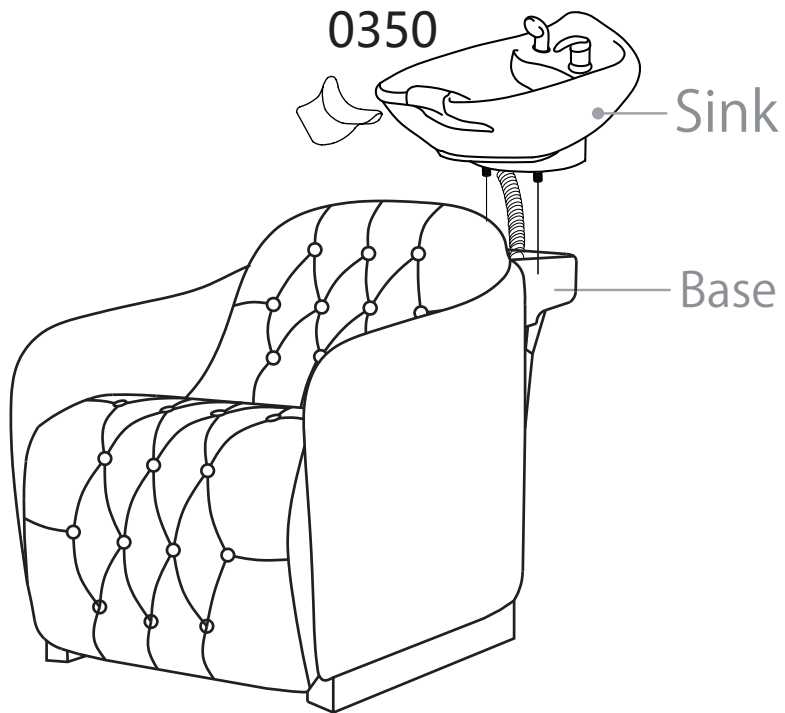
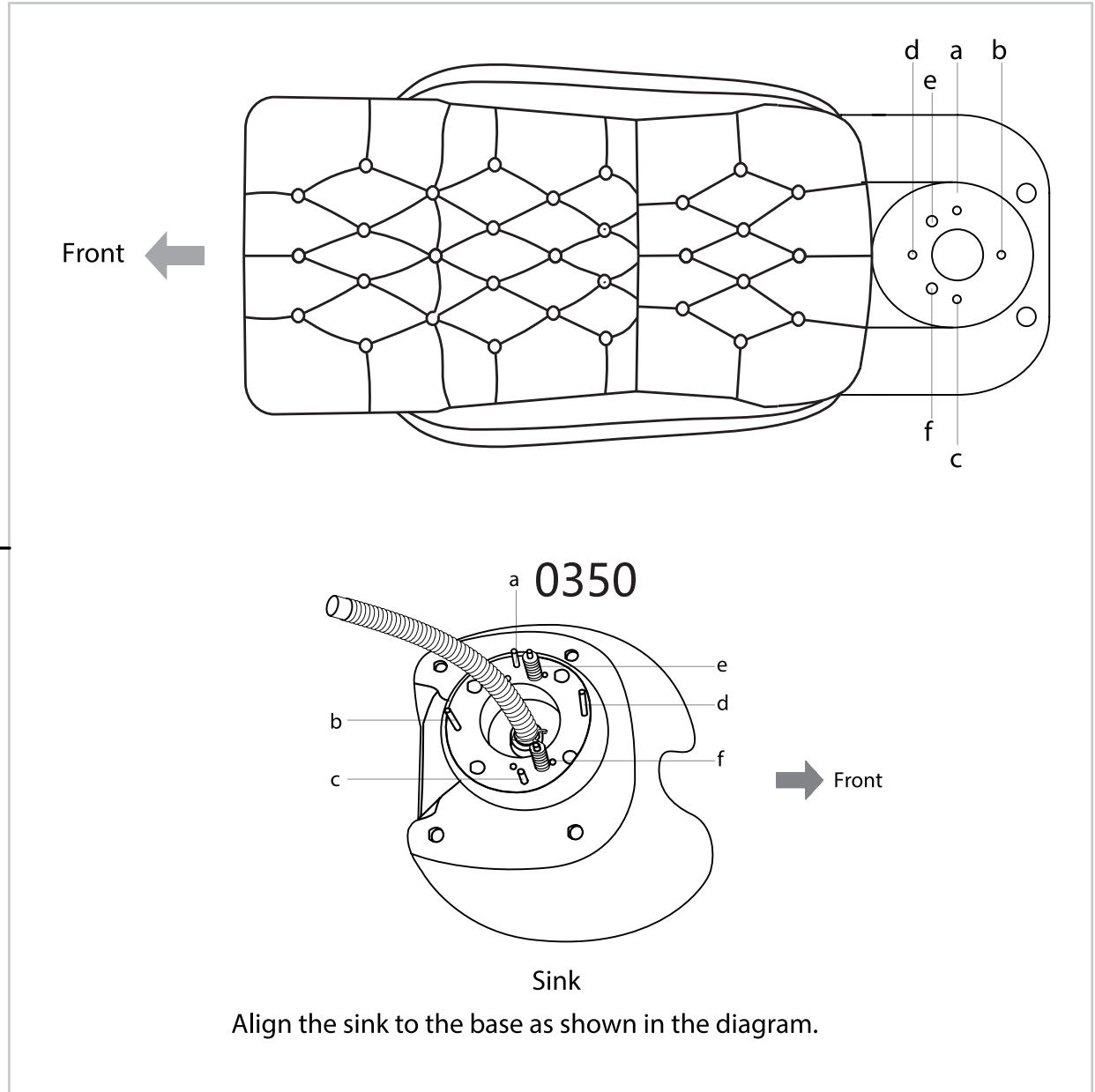
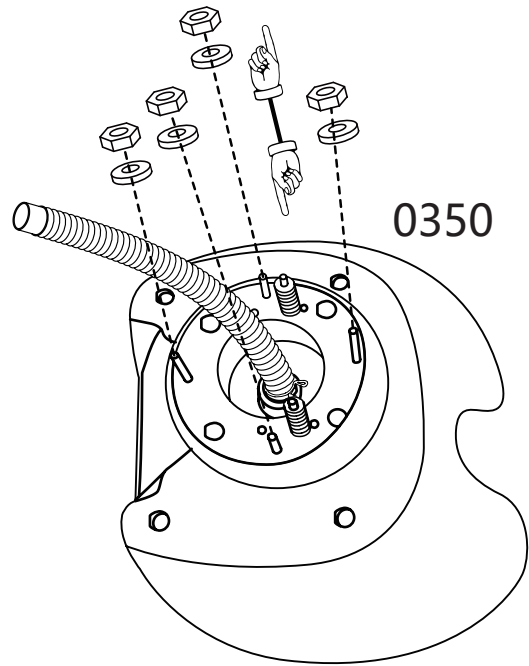
7001



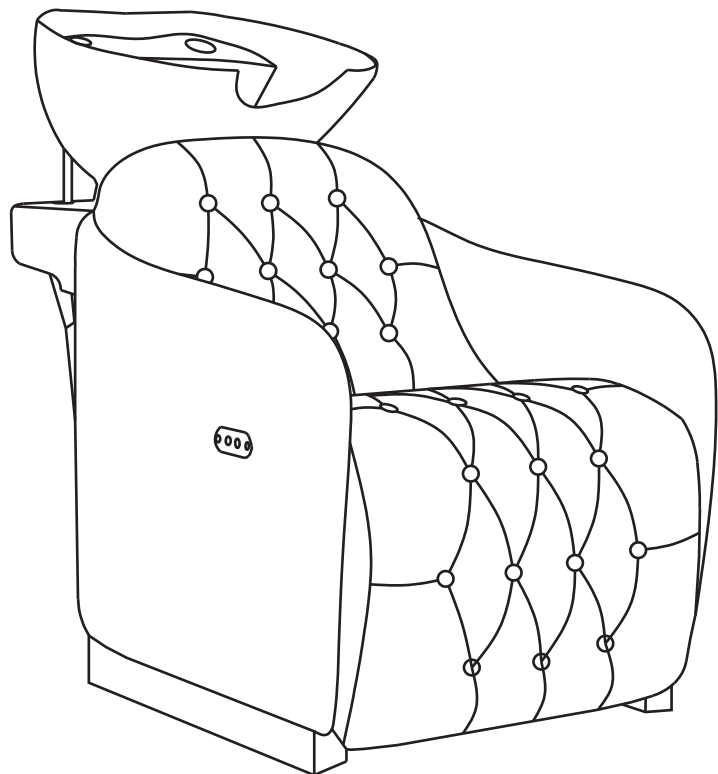
101001



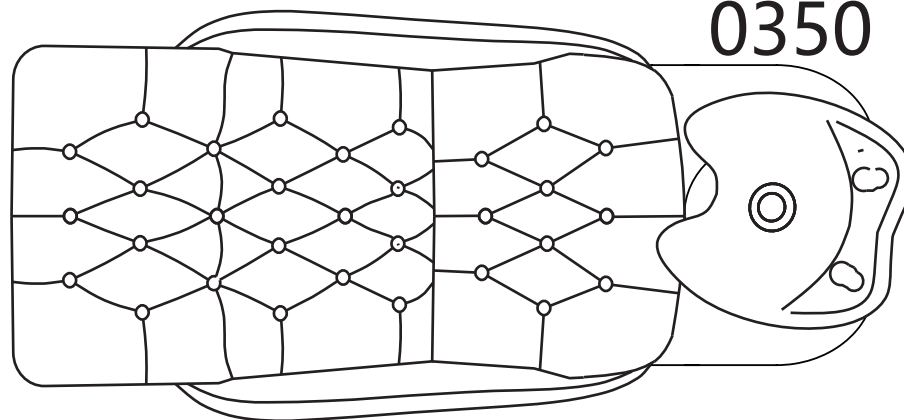
Assembly Instruction2



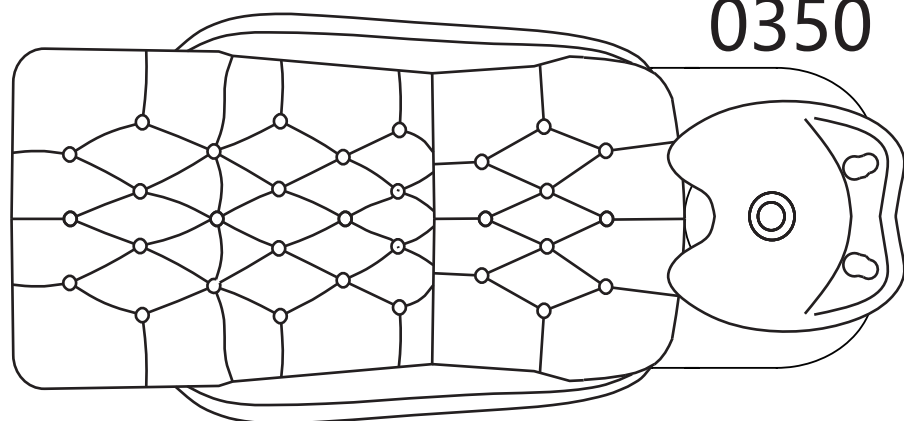
0350



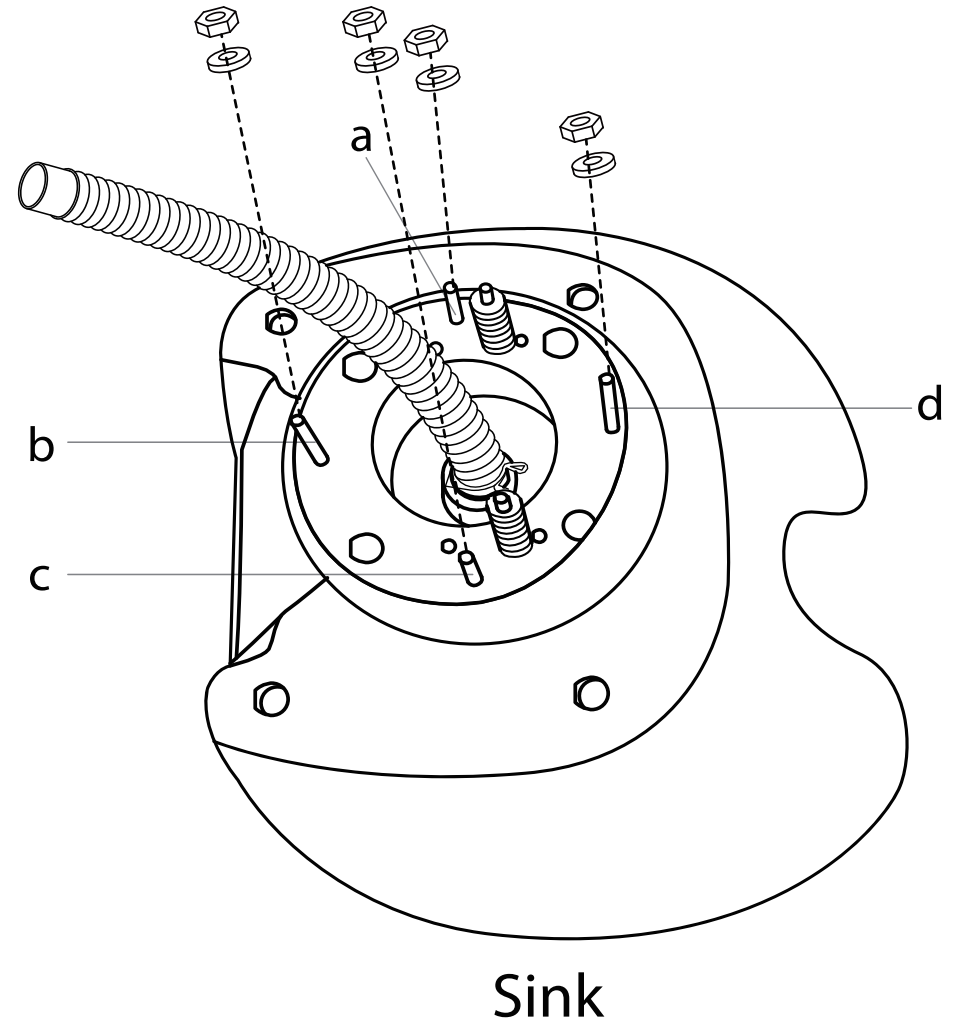
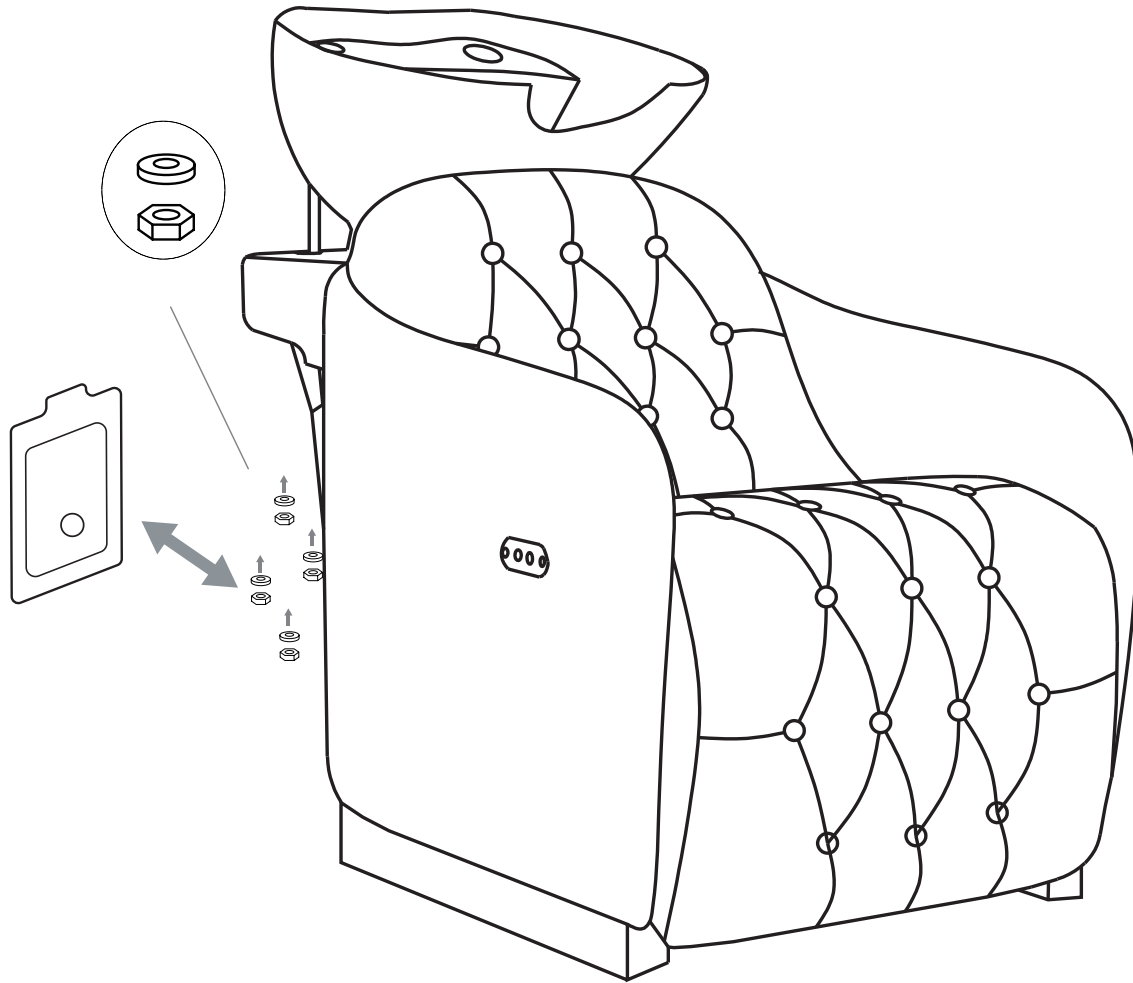
0350



0350

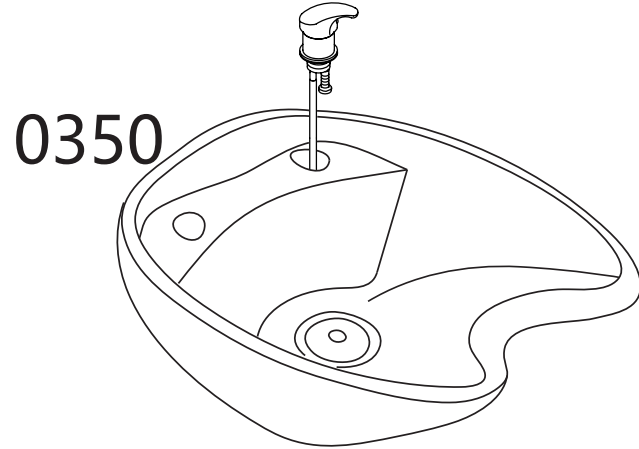


0350

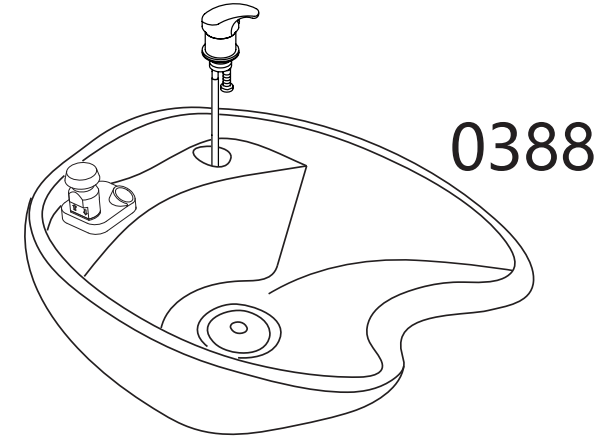


Faucet Set up

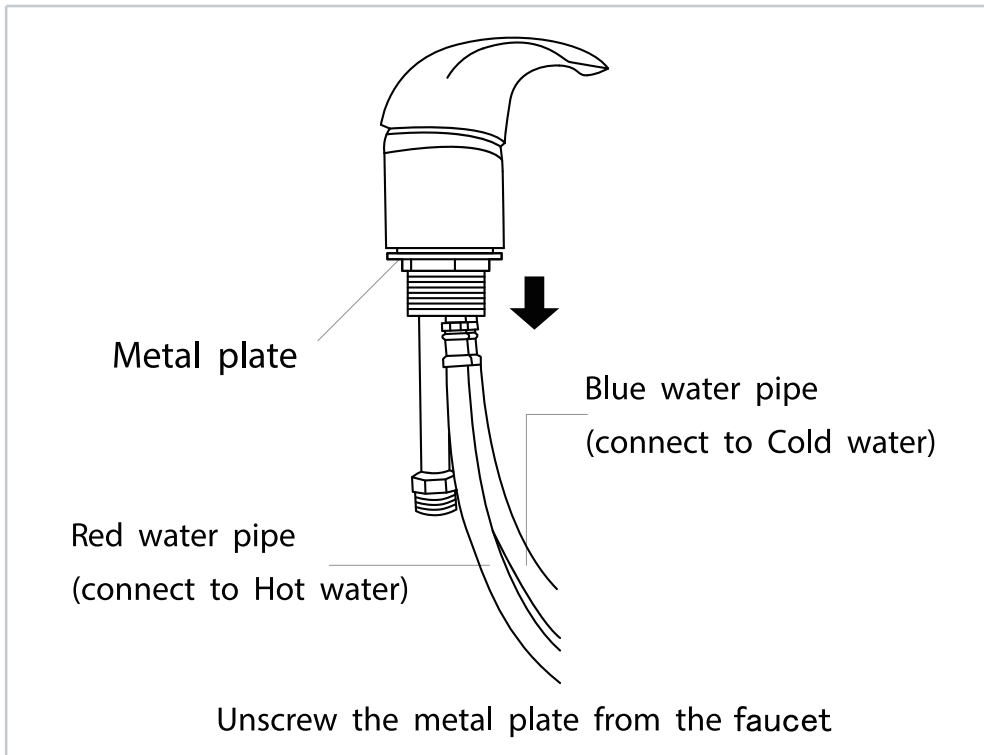
None Vacuum Breaker Sink



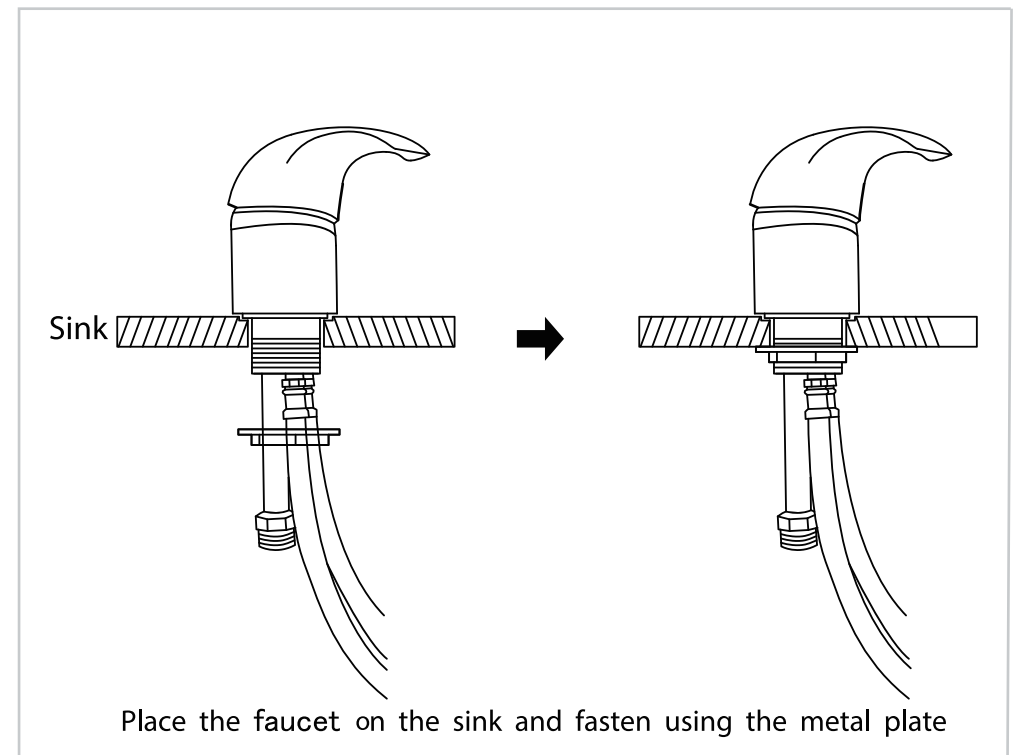
Vacuum Breaker Sink



or

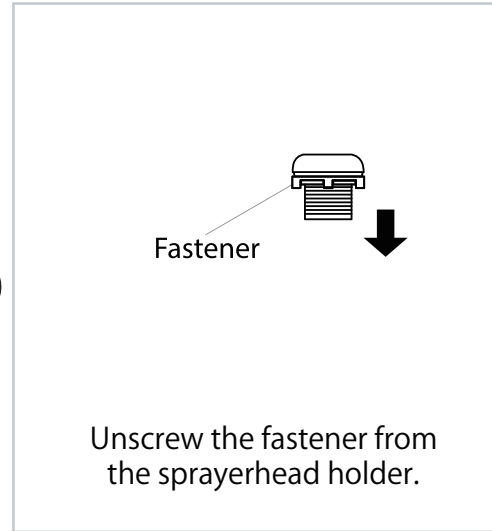
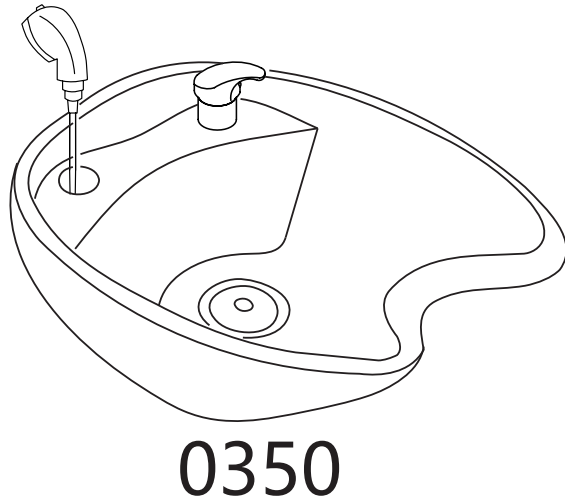


STEP 1

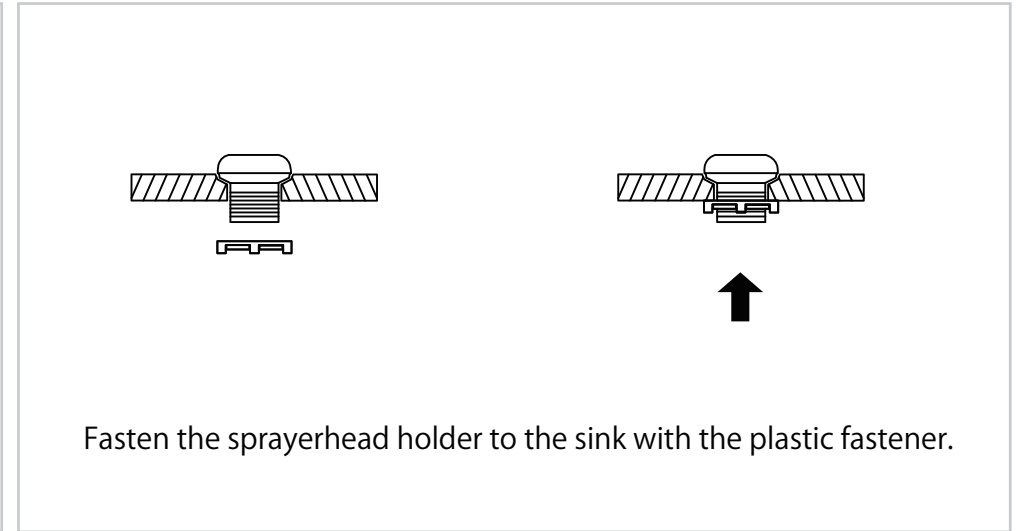


STEP 2

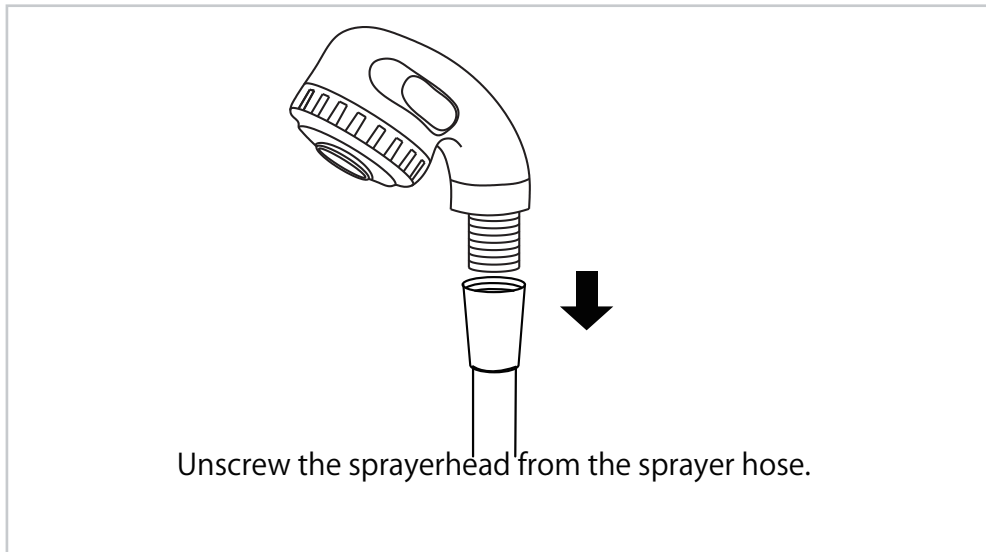
Sprayer Set Up None Vacuum Breaker Sink



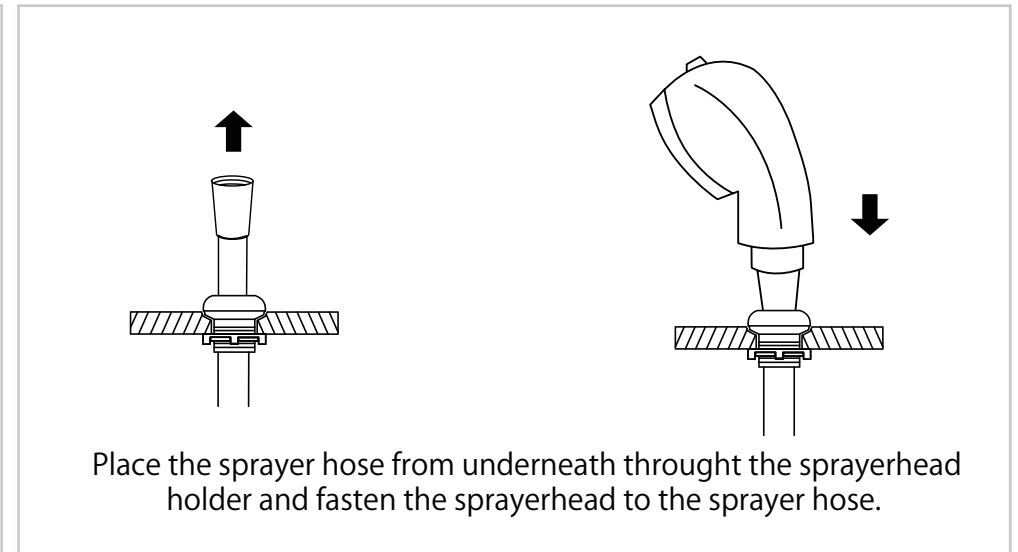
STEP 1



STEP 2

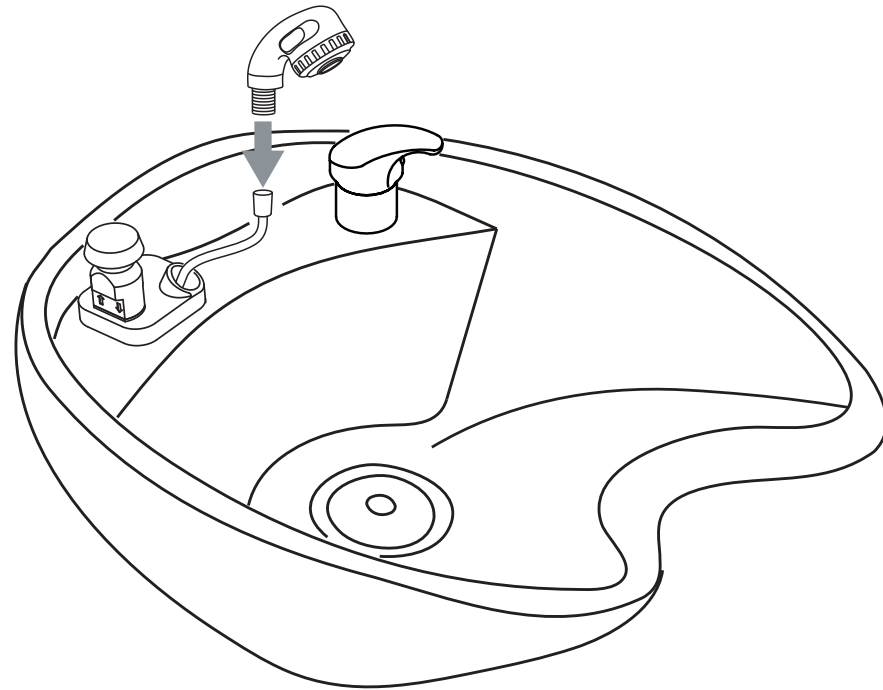


STEP 3

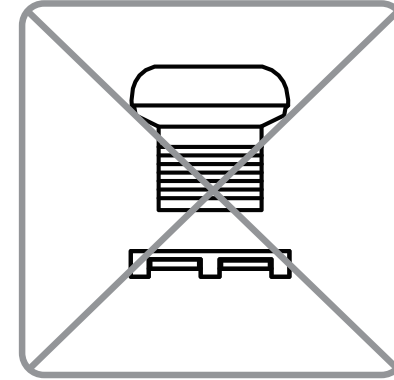


STEP 4

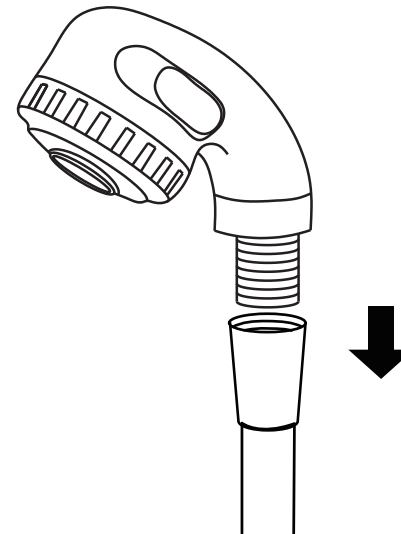
Sprayer Set Up Vacuum Breaker Sink



0388

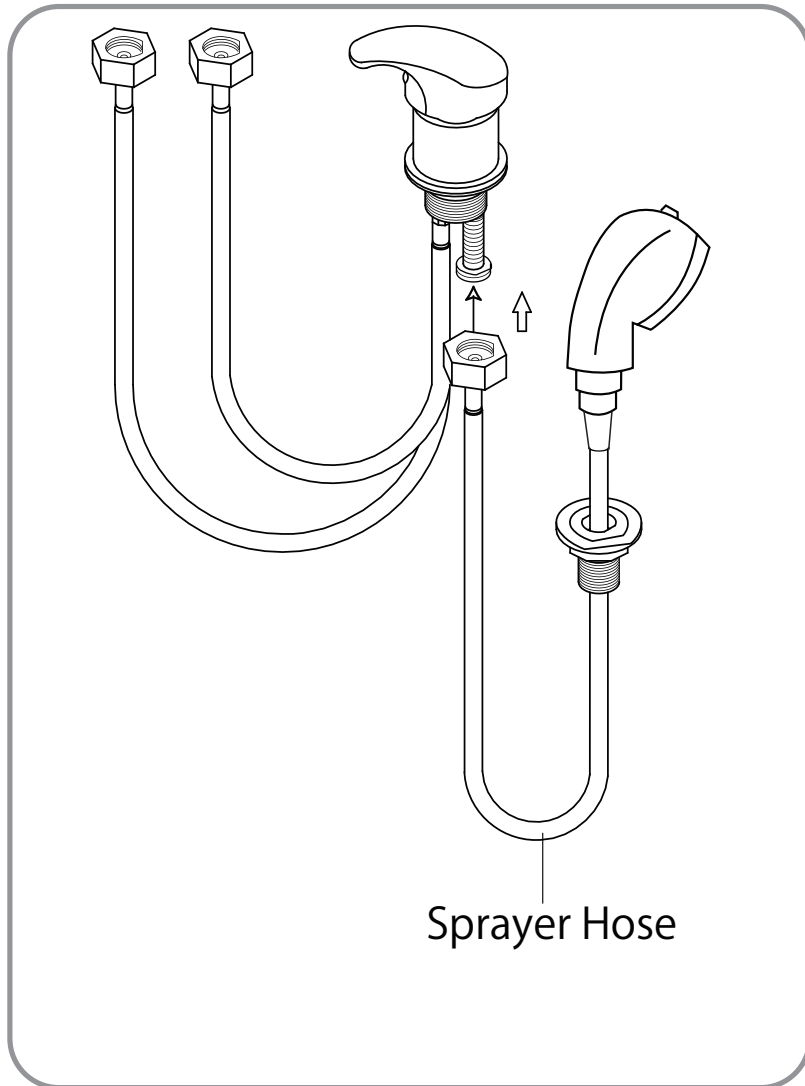


no need



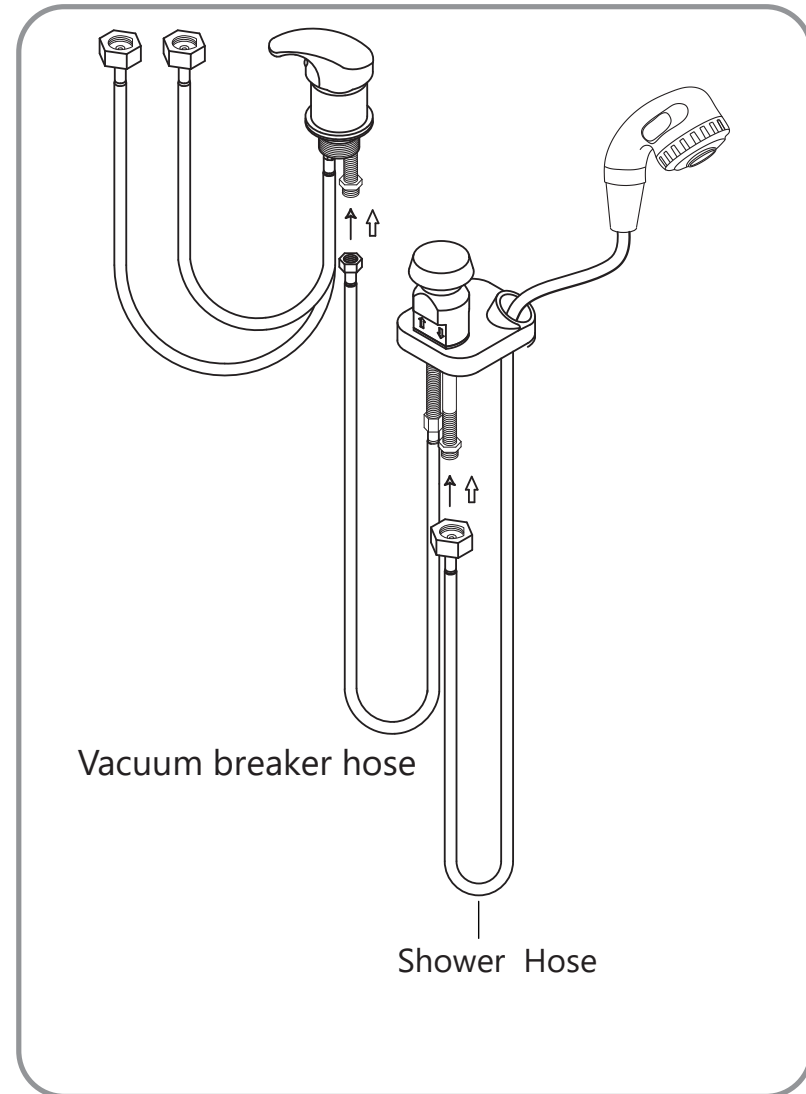
Unscrew the sprayerhead from the sprayer hose.

None Vacuum Breaker Sink



or

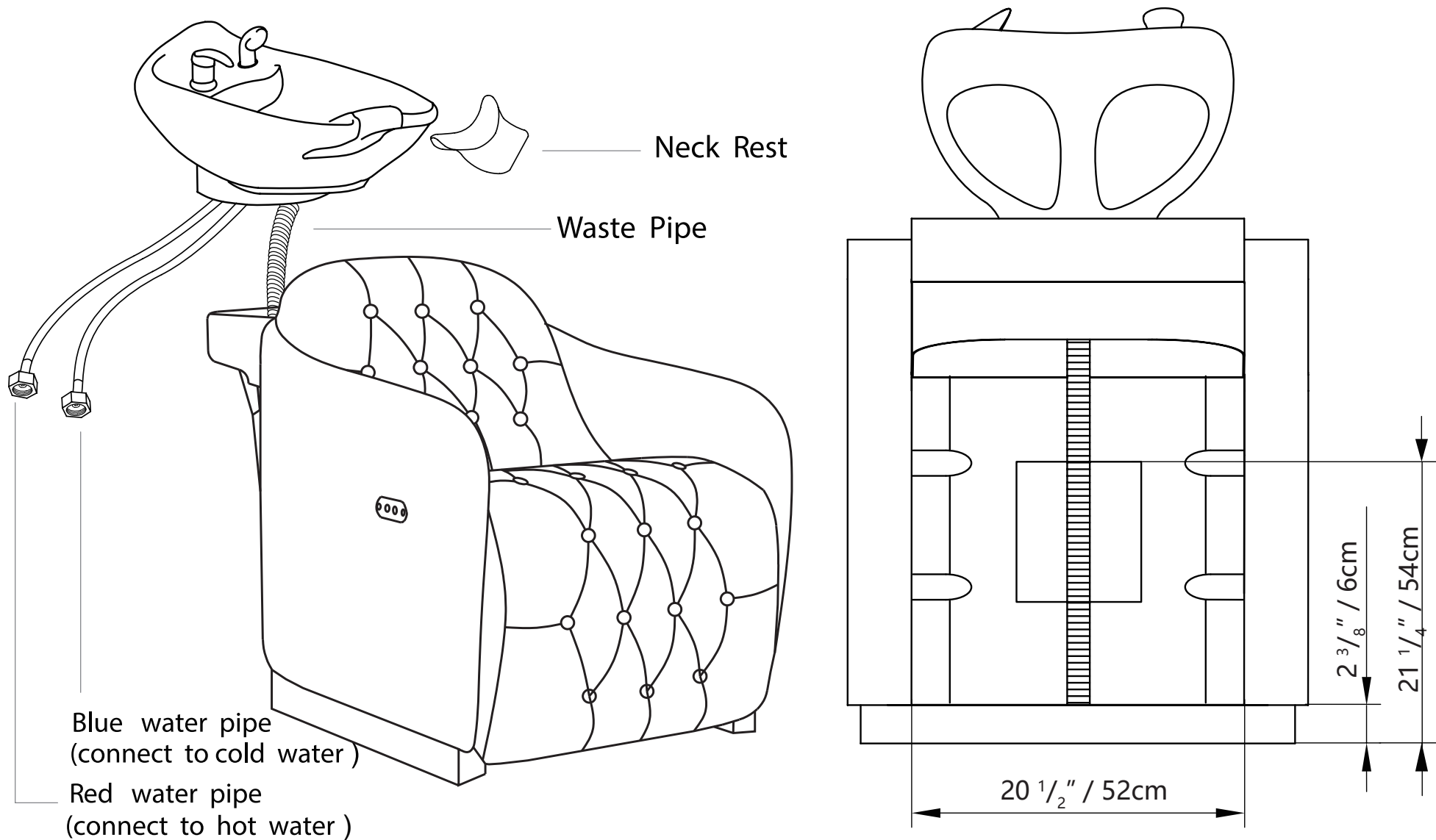
Vacuum Breaker Sink



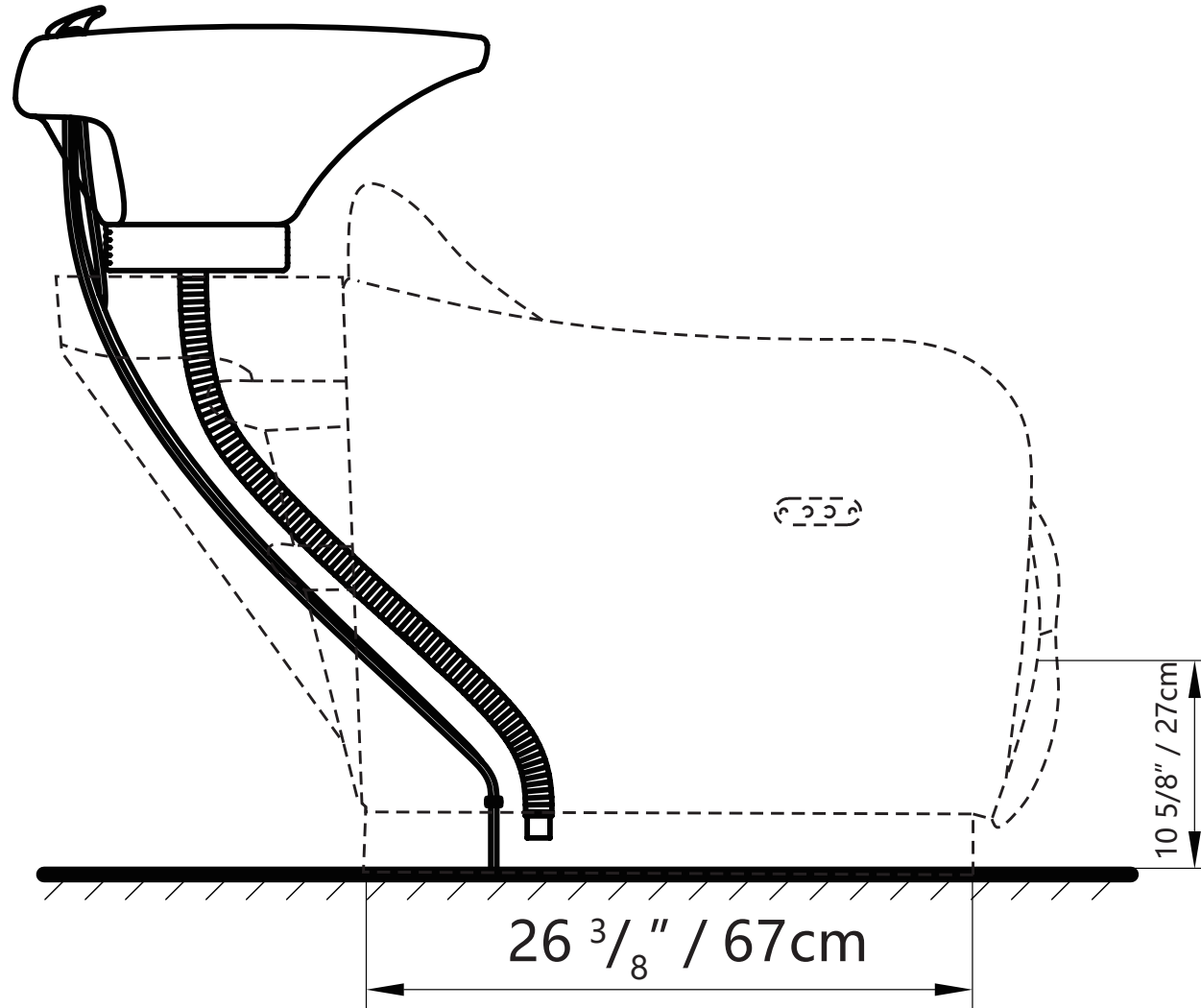
Plumbing Instruction 9

Plumbing setup:

*removable back panel to route both water supply lines and make all connections.



Floor plumbing setup:
Circle opening on removable back for drain pipe exit

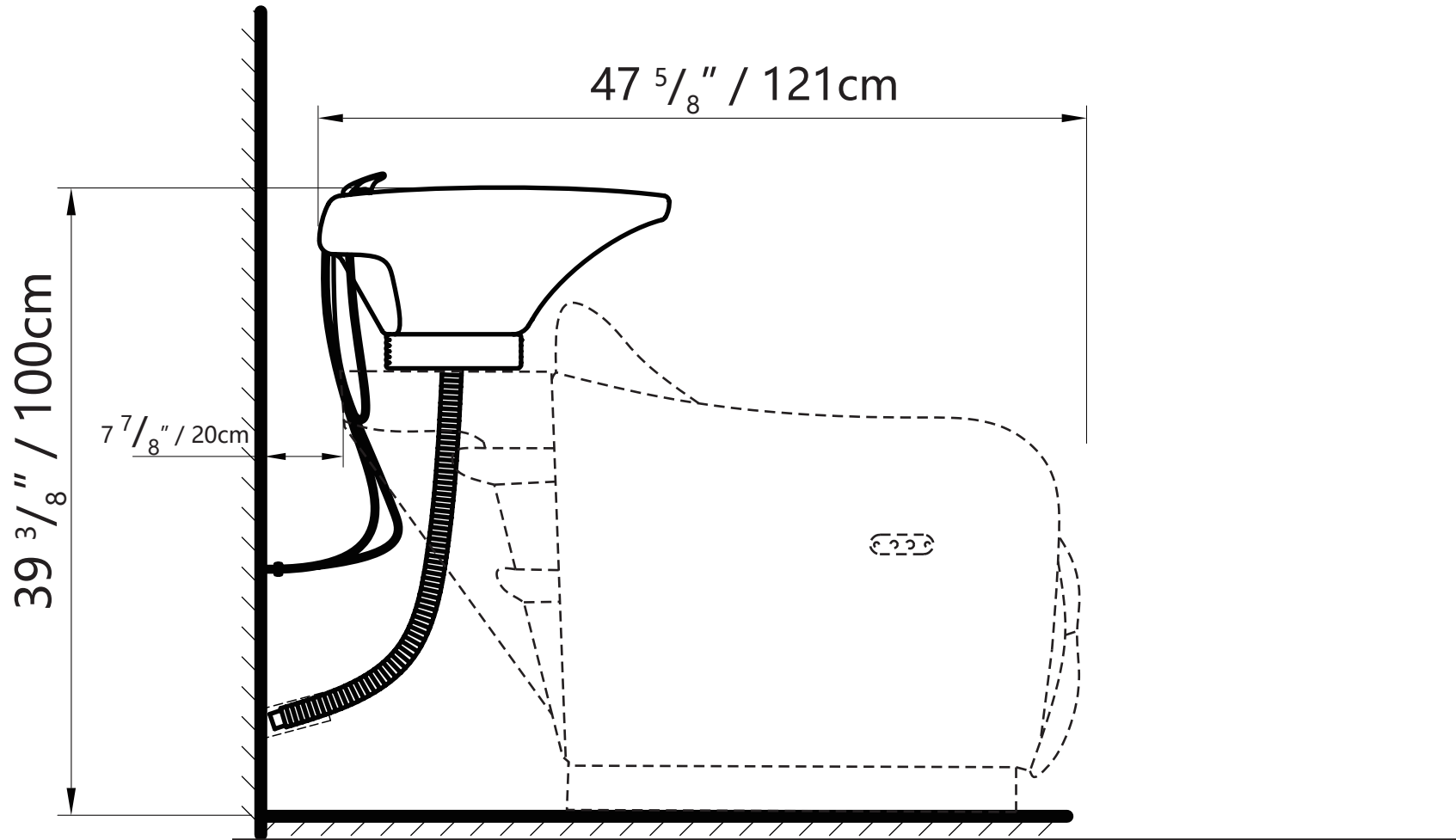


Assembly Instruction 11

Wall plumbing setup:

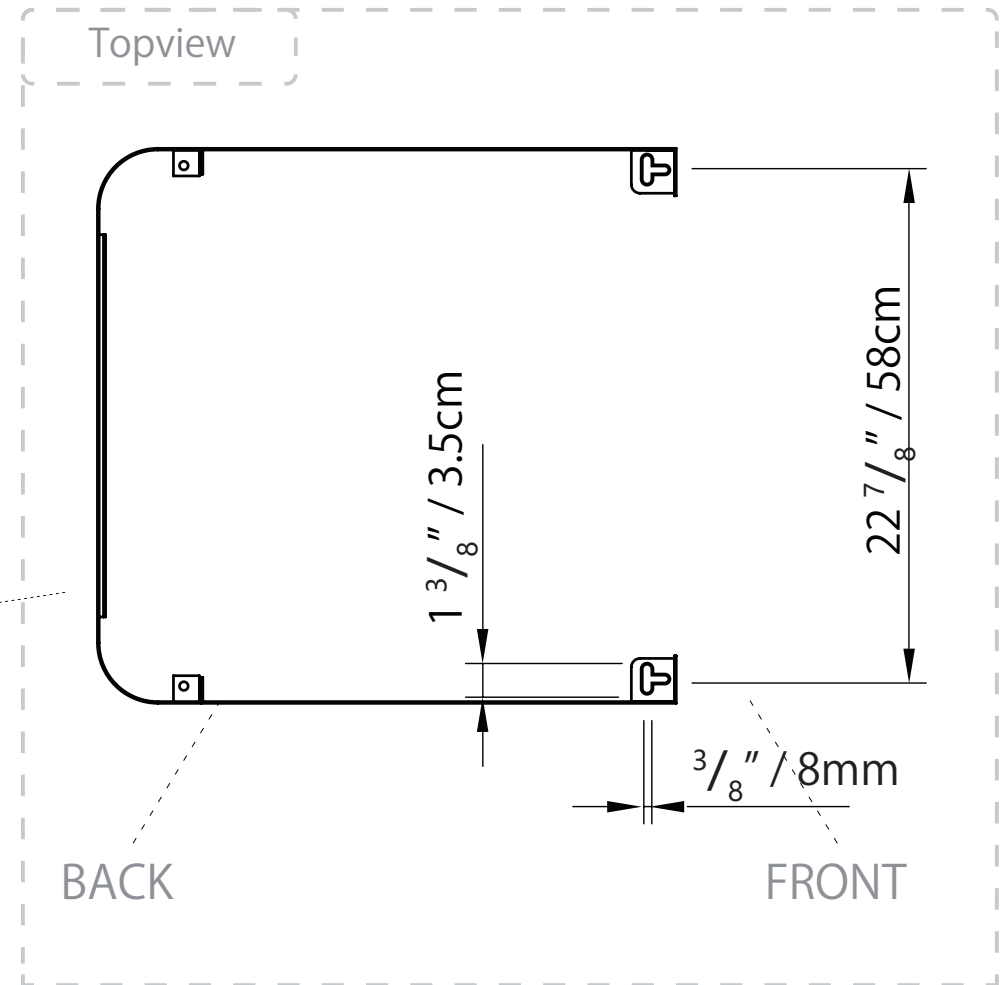
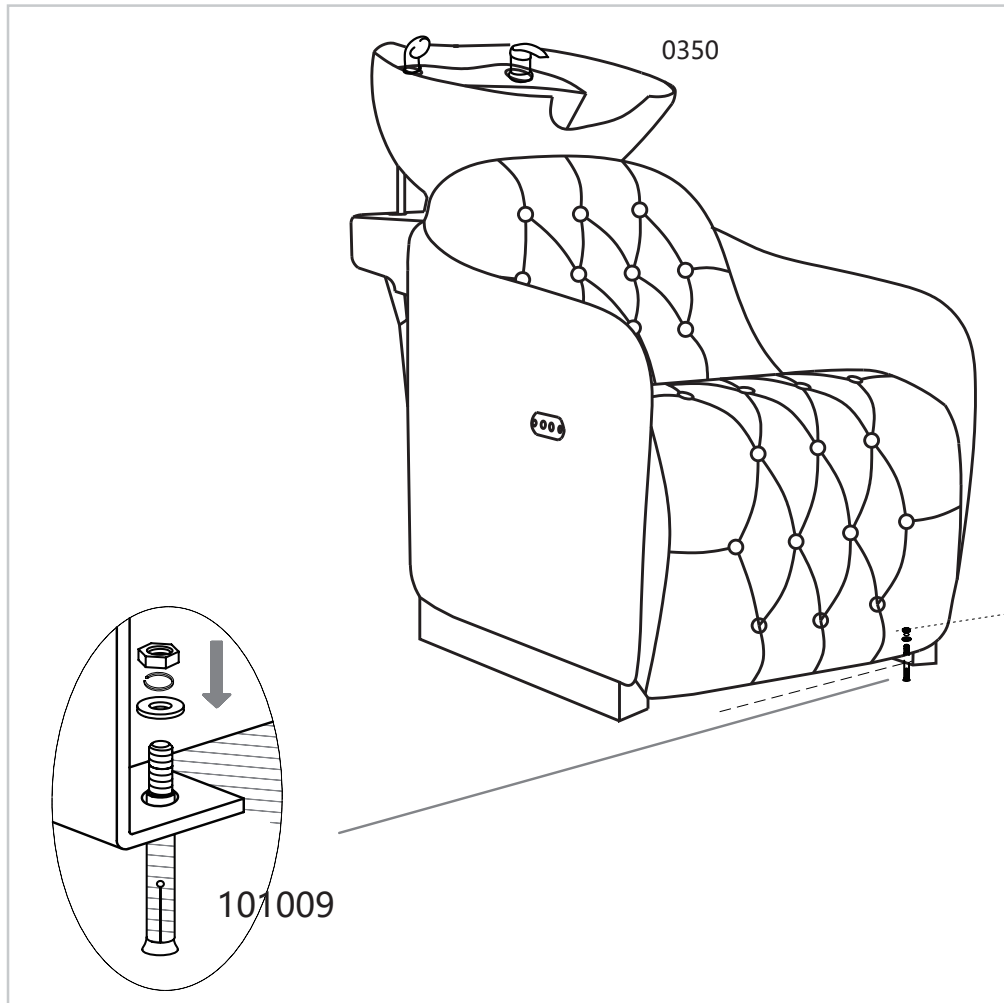
All connection pipes are enclosed within the base unit.

Water supply lines are routed into the unit via circle opening on the back of the base.

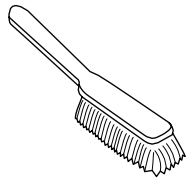


Please leave minimum $7 \frac{7}{8}'' / 20\text{cm}$ of space measuring from finished wall to the back of the sink to allow sinks tilting position.

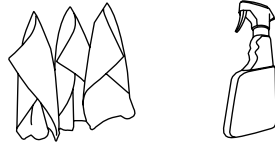
Secure the backwash on the floor by the provided floor anchors.



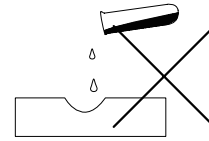
Product care



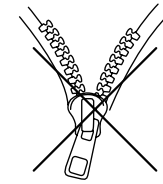
Brush away excess hair



Clean surface with damp cloth or use simple soap & water solution.



Avoid using corrosive cleaning agents such as bleaches.



Do not remove upholstery for cleaning

Warranty

The warranty period is one year. DIR warrants to you, the original buyer, that goods shall be free of defects in material and/or workmanship attributable to manufacture for one year from date of receipt of product. Damage resulting from improper handling after merchandise is received, or from exposure to weather or extreme atmospheric conditions is not covered by the warranty. For any other information please contact our support team:

DIR BIRMINGHAM

66 Rea Street South
Birmingham
B5 6LB
UK

Tel:
+44(0)121 6434777

Email:
dirsalon@gmail.com

DIR LONDON

Unit 1 River Road
Business Park
33 River Road, Barking
Greater London
IG11 0DA
UK

Tel:
+44(0)20 8591 9310

Email:
dirsalon@gmail.com

DIR NEW YORK

575 Underhill Blvd.
Suite 170
Syosset, NY 11791
USA

Tel:
+1 (718)628-6668
+1 (800)728-2008

Email:
sales@dirsalonfurniture.com

DIR IRELAND

Unit 20, Goldenbridge Ind.
Estate Tyrconnell Road
Inchicore
Dublin 8
Republic of Ireland

Phone:
+353 (1) 429 7969

Email:
sales.ireland@dirgroup.ie