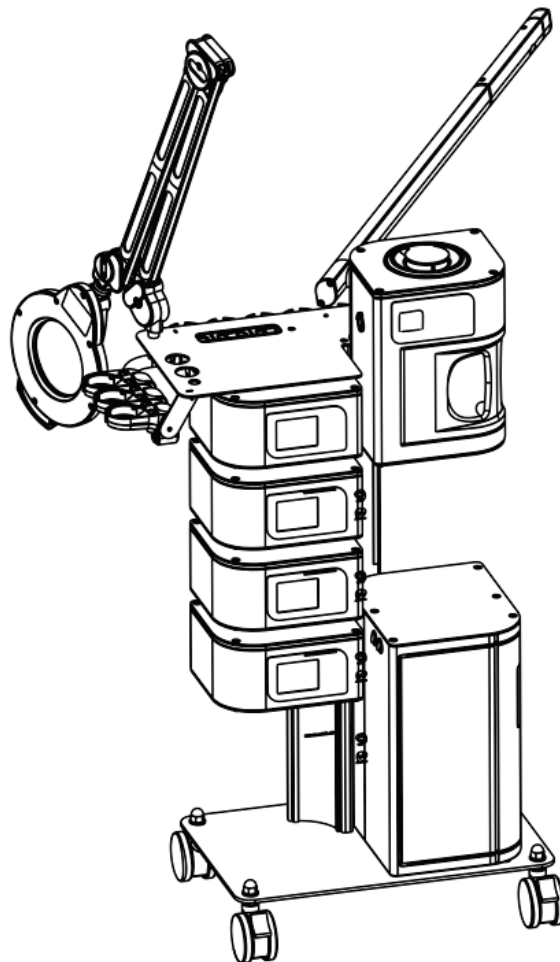


DIR[®]

H5008
7 IN 1 Multi-functional beauty instrument



Thank you for purchasing this product!

- Please read the entire instruction manual carefully before using the product. Take note of any warnings included in this manual.
- Always keep this instruction manual handy and if you give the device to another person, hand over the manual as it is an essential part of the product.
- Some components of the product may differ from the image that appears in catalogues, websites, brochures, etc.
- In order to enhance the product, the manufacturer reserves the right to modify its features and/or components without prior notice.

CORRECT USE OF THE DEVICE

- This product has been designed to be used by beauty professionals at beauty salons and should not be used for other purposes.
- Please note that any misuse of the device entails the loss of the guarantee.
- Do not make any modification to the device without the authorisation
- we shall not be held liable for any material or personal damage due to the misuse of the product.

CONTRAINDICATIONS

- This product should not be used on:
 - People with metal implants in their body.
 - People with pacemakers or heart problems.
 - Pregnant women.
 - People with sensitive skin, lesions, inflammations, or any skin problem or disease.
- With people undergoing medical treatment or a diagnostic process, the product must be used with medical authorisation.

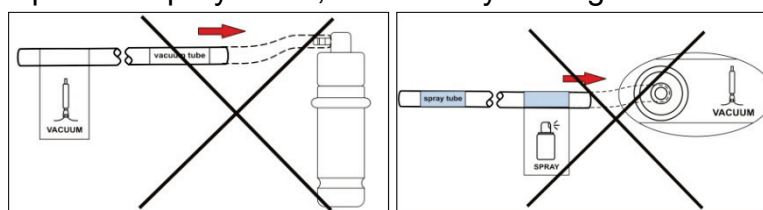
WARNING

FACIAL STEAMER

- 1 It's forbid to put oily material into water cup or herbal net; it may cause the problem of water spray.
- 1 It's not allowed spray from the above of the face by the steam hole, otherwise may causing scald.
- 1 It's not allowed to take the herbal cover and water cup apart under machine is spray.
- 1 It's not allowed to put this machine in the over humidity environment to work, for example: bath room etc.
- 1 It's not allowed working under projective sunshine, otherwise will cause many kind of unsteady conditions.
- 1 If there's any exceptional problem, please contact the agency to let professional maintainer to repair instead of opening the host machine cover to repair by you.
- 1 If power cord is destroyed, it's better to choose the accessories from the original factory. It's not allowed to repair by un-professional personnel; you should go to appointed repair agency to change.

SPRAY&VACUUM

- 1 Be care of flexible tube connecting accessories and host, DO NOT over-pull.
- 1 Prevent spray water or other corrosive liquid on the host during using.
- 1 Forbidden connecting the flexible tube of spray function with output of vacuum function (see the Fig. right) as well as connecting of flexible tube of vacuum function with nozzle of spray bottle (refer to the Fig.), otherwise it will suck back the nursing liquid into spray bottle, and directly damage the host.



- 1 Forbidden using sucker with edge angle, sharp edge, worn and damaged. In this case, please contact with distributor or appointed maintenance center to replace in time.
- 1 During working, the cables between accessory and host machine shall not be drawn excessively.
- 1 Broken mains cord shall be replaced with specific cord or specific assembly from its manufacturer or maintenance departments. It is strongly recommended that the accessory from original factory shall be used.
- 1 The host machine shall be turned off and the attaching plug shall be pulled out if any abnormal condition occurs. You shall ask the agency or specific serviceman to check and maintain. The main case is not allowed to be opened.
- 1 It is forbidden to place or use it at bathroom or wet places.
- 1 It is forbidden to put it together with inflammable and explosive objects.
- 1 Forbidden to put probe into water for cleaning and wipe the plastic parts of the probe with alcohol which may damage the probe.

MICRODERMABRASION

- 1 During working, the cables between accessory and host machine shall not be drawn excessively. Prevent spray water or other corrosive liquid on the host during using.
- 1 The host machine shall be turned off and the attaching plug shall be pulled out if any abnormal condition occurs. You shall ask the agency or specific serviceman to check and maintain. The main case is not allowed to be opened.
- 1 Broken mains cord shall be replaced with specific cord or specific assembly from its manufacturer or maintenance departments. It is strongly recommended that the accessory from original factory shall be used.
- 1 It is forbidden to place or use it at bathroom or wet places.
- 1 It is forbidden to put it together with inflammable and explosive objects.

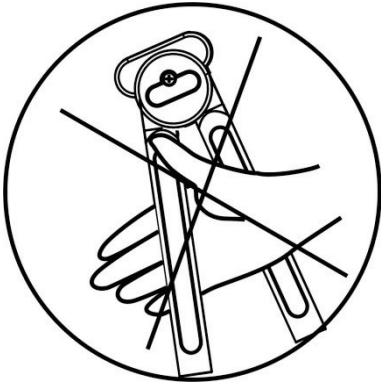
RF

- 1 The probe is not allowed to be in the output state without cosmetic operation, otherwise it will cause the probe to overheat and reduce the service life rapidly.
- 1 Do not attempt to separate the stainless steel probe from the handle, such as rotating the stainless steel probe and handle frequently, which may cause damage to the probe.
- 1 It is strictly prohibited to place the probe in water for cleaning, which may cause damage to the probe
- 1 It is strictly prohibited to use the probe with damaged or serious scratches on the surface, if any attachment of this phenomenon must be replaced.
- 1 If there is any abnormality, please contact with the dealer and ask the professional maintenance personnel to check the case.
- 1 It is prohibited to place and use in the bathroom or damp places.
- 1 It is forbidden to put together with flammable and explosive objects.

Attention

MAGNIFYING LAMP

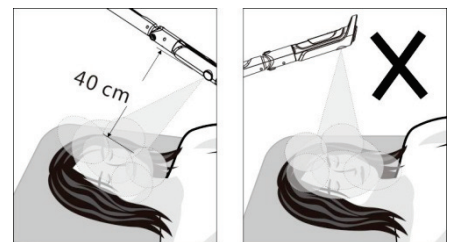
- During setting or move magnifying lamp, don't let fingers in the middle of the upper and lower arms for avoiding clamp.(As picture shown)



- Clean skin before operation.
- Turn off power after operation.
- Please cut the power if there's a long time not to use, make sure the machine clean and keep it in a suitable place.
- When the mirror appear stains, please dip in with soft cloth wipe gently with clean water. Do not use alcohol or other chemicals to wipe the lens, otherwise it may damage the lens effect use.

FACIAL STEAMER

- Before turn on the power of the host machine, please confirm the water cup was screwed down, the water level was between the highest and lowest water level mark, and the herbal medicine cover was covered well in the water hole.
- If there's needed to add essential oil under working condition, please all it after pause the mist spray.
- If there's needed to add herbal medicine package during spray, it has to stop mist spray for one minute to open herbal cover. Please open the herbal medicine cover one minute after stop the mist spray.
- It must be clean the cotton pallet in the essential oil base and the herbal medicine package in the herbal medicine net after stop using aromatherapy or herbal spray everyday.
- It has to wait the mist came out from the spray hole steady and well-proportionally before facial spray.
- The spray hole is 40cm away from customer's face and spray steam should be from customer's chin to whole face proportionally to avoid scald the customer's face due to hot spray steam.
- Ozone has sterilization effect, but it also will harm skin and destroy nutrients of herbal, so it's important to select suitable time for different skin type when using.
- It's not allowed to take water cup apart when just finish using spray otherwise will cause scald. Please wait water cup cold then take it apart.
- It's necessary to avoid over adding water, otherwise it's not only make bad effect to the host machine, but also may cause the problem of leakage of electricity
- If there're problems of water leakage and gas leakage happen underneath the host machine or at the herbal medicine cover, remember cut off the power of host machine first and then check whether the water cup or herbal medicine cover well assembled. If the problems still don't be solved, please contact local agency for further Solution
- It should have good ground connection for the power plug of host machine.
- if water level under lowest mark without adding water, the temperature protection system



will react right away to cut off the power temporarily. At this time should add amount of water in time, otherwise temperature protection system would cut power again and again until burnout the heating system. The host machine will return to normal working condition after adding water for 1-3 minutes.

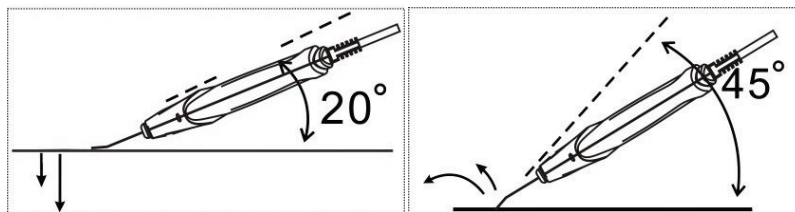
HOT TOWEL CABINET

- **Do not** use the hot towel cabinet beside any high temperature object.
- **Do not** use the hot towel cabinet under acidic or humid environment
- **Do not** put the acidic or alkaline objects into the hot towel cabinet
- **Do not** move the hot towel cabinet when its power is connected or under the working status
- It is normal that the temperature of hot towel cabinet may rise up obviously after operating for a long time.
- Please clean up the water inside the water collection tank regularly. (Ideally cleans it up in a daily basis).
- It is not suggested to work for a long time when the UV light and Ozone sterilization function is switch on. (It is better to limit the working time within one or two hours) , otherwise the objects may be damaged due to over-time UV light sterilization.
- Please take out the wet hot towel or any other objects which are no longer need to sterilize immediately. Turn off the power and take out the hot towel tray. Clean up the water on the doorframe and the inner tank of the host machine. Please make sure the power plug is unplugged when not in use for a long time
- Please turn on the "**HOT**" or "**OZONE**" switch with dry hand
- In any case that hot towel cabinet does not work properly, please contact the local dealer or the professional maintenance service center and bring your warranty card with you.
- If the supply cord is damaged, it must be replaced by the manufacturer, its service agent or similarly qualified persons in order to avoid a hazard.
- This appliance is not intended for use by persons (including children) with reduced physical sensory or mental capabilities, or lack of experience and knowledge, unless they have been given supervision or instruction concerning use of the appliance by a person responsible for their safety.
- Children should be supervised to ensure that they do not play with the appliance.
- This appliance can be used by children aged from 8 years and above and persons with reduced physical, sensory or mental capabilities or lack of experience and knowledge if they have been given supervision or instruction concerning use of the appliance in a safe way and understand the hazards involved. Children shall not play with the appliance. Cleaning and user maintenance shall not be made by children unless they are older than 8 and supervised.
- Keep the appliance and its cord out of reach of children less than 8 years.
- This appliance is intended to be used in household and similar applications such as:
 - ◆ -staff kitchen areas in shops, offices and other working environments

- ◆ -farm houses
- ◆ -by clients in hotels, motels and other residential type environments
- ◆ -bed and breakfast type environments
- The appliance must not be immersed.

SKIN SCRUBBER

- Please do not place the working head of scraper knife on skin for a long time, in case of hurt skin.
- Please pay attention to the using strength when doing skin care, place the scraper knife 45 degree with skin is the best (As pictures shown).



- Please supply essence to surface skin to keep moisture.
- Please keep scraper knife 20 degrees with skin (As picture shown at right side) .
- Do not over pull the cable of accessories to the host machine.
- Please take scarper knife gently when using it, and clean it after every time using, but do not put it in the water to clean. After cleaning, please wipe dry and sterilized, keep clean and dry. Note: if using alcohol to sterilize only for the metal part of the probe, do not wipe other parts of the probe (especially the plastic parts of the probe), otherwise it will damage the probe.
- If the cable is destroyed, we suggest using the accessories from repairing agency or original factory.

SPRAY&VACUUM

- Carefully check the label on air flexible tube to prevent incorrect connection.
- The host should be paused if the spray bottle or sucker needs to be replaced during using.
- During the working of vacuum or spray function, DO NOT bend the flexible tube or block air inlet, which may directly cause the damage of host.
- Any crack on nozzle of flexible tube will directly impact on the working effect, to cut the crack part with scissor and re-connects with corresponding joint.
- It should be noted during operation of spray function :
 - ◆ Controls the spray mist volume, to prevent the waste of skin refreshener.
 - ◆ To prevent water drop to neck, where should be protected with water basin or towel.
 - ◆ NOT spray toward naris or mouth, to guarantee the breath.
 - ◆ NOT fill in spray bottle with liquid with low viscosity, to prevent any block.
 - ◆ The spray bottle should be cleaned in time with distillate or purified water after each time use, and wipes dry and sterilizes for next time use.
- It should be noted during operation of vacuum function :
 - ◆ The skin parts should be cleaned and softened before operation of vacuum function.

- ◆ The sucking intensity of vacuum tube should be controlled medially, high intension could cause skin lesion and coagulation of blood below the surface of the skin. The beautician firstly could try by own hands, and moves to working parts after adjustment of vacuum ability.
- ◆ When the nursing is made on fix parts of skin, the press time of relief-pressure air inlet should be controlled by fingers, to prevent too long time sucking and become purple by sucking.
- ◆ The sucking frequency should be increased for oily, thick skin, and sucking is not allowed to be used for skin with telangiectasis.
- ◆ DO NOT use for eye skin or face with inflammation.
- ◆ DO NOT use frequency the vacuum sucking, to prevent enlarge of skin pore.
- ◆ The vacuum bar should be uninstalled in time after use, and clean, wipe dry and sterilizes for next time use.
- ◆ The clean sponge filter should be replaced after each time using, DO NOT use vacuum bar without sponge filter, which will directly damage the host.
- Pls clean and sterilize the probe after uses. Note: if using alcohol to sterilize only for the metal part of the probe, do not wipe other parts of the probe (especially the plastic parts of the probe), otherwise it will damage the probe.

COOL & HOT HAMMER

- Clean your face with makeup and dust to get the best effect.
- Don't let the hot and cold hammer get wet. Please wipe it off with dry cloth.
- Please keep the good heat emission, Do not block the heat emission holes of the handle
- This device is not intended for use by persons with weak physical ability, slow reaction or mental disorders (including children) unless it is used safely under the direction or assistance of persons responsible for its safety.
- Children should be supervised to ensure that they do not play with equipment.

MICRODERMABRASION

- the higher the d number, the finer the grit.
- clean diamond probe with alcohol, then sterilize them with uv light or high temperature.
- replace the cotton filter inside the diamond probe after 5-6 customers treatment
- The host should be paused if the diamond probe needs to be replaced during using.
- Any crack on nozzle of flexible tube will directly impact on the working effect, to cut the crack part with scissor and re-connects with corresponding joint.
- If the joint of connecting tube is broken, broken point shall be cut plainly with scissors and joined again.
- Please clean the skin with wet towel before treatment, to keep good performance of treatment.

RF

- Before use must put essence liquid, emulsion, the lubrication liquid such as original liquid or gel on the skin, Do not use it on the dry skin surface directly , RF head must be close to the skin, Don't let it leave the skin.
- If the temperature is overheated during use, it only needs to be moved to other parts and move in a circle faster, Then the temperature will drop down; If the temperature is not hot enough, To move RF head in a circle slower, The temperature will rise slowly.
- It is not recommended for use during pregnancy or lactation. It is not recommended for use in sensitive areas, skin with trauma, redness, inflammation, allergies or other skin diseases.
- Remove the ear and neck metal accessories before treatment.

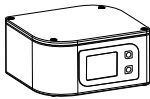

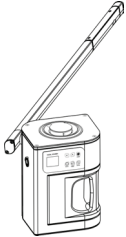
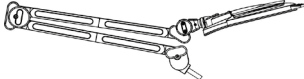


PRECAUTIONS

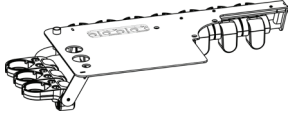

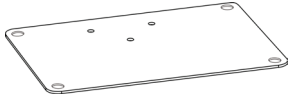
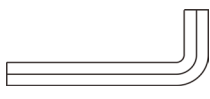






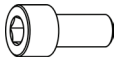

- Before using it for the first time and after each use, check the device and the mains cable for any damage.
- Unplug the device from the mains before starting to clean it or undertaking any type of maintenance.
- Do not use the product outdoors or in places where it may be affected by humidity or inclement weather.
- If the power supply cable is defective, unplug the appliance immediately and inform your dealer or specialised technician.
- Position the power supply cable properly so that people cannot trip over it and make sure you plug it into an earthed socket.
- At the end of the working day, disconnect the device and unplug the power supply cable from the mains.
- If you detect any anomaly in the operation of the product, please contact your distributor or specialised technician.

SAFETY INDICATIONS

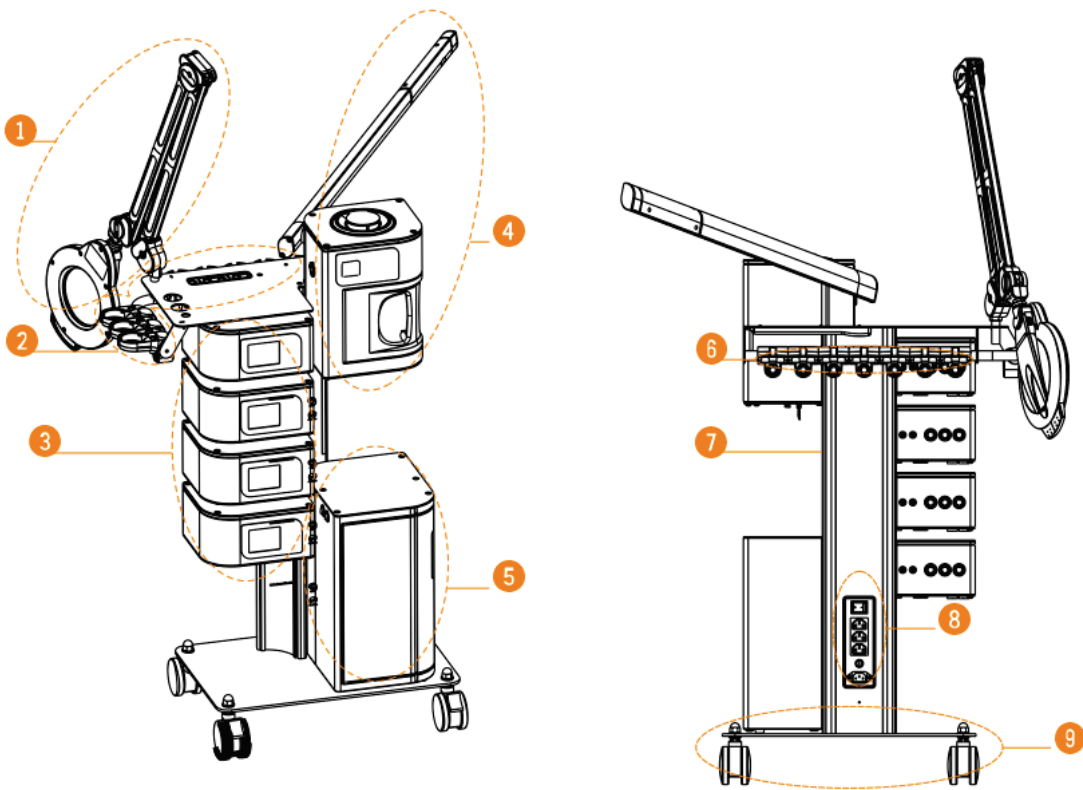
- The device and accessories should be kept out of the reach of children.
- Only plug the device into a properly installed socket. The local mains voltage must correspond to the technical specifications of the device.
- The power socket must be accessible in case you have to quickly unplug the device at any given time.
- Always pull out the actual plug and not the mains cable.
- Never tamper with any electrical component or open up/repair any component of the device , Only your distributor or specialised technician should repair the device.
- Do not switch on the device if there is visible damage to it or to the mains cable.
- Never touch the device or the mains cable with wet hands.

Packing list:

Name	Graphic	Quantity	Name	Graphic	Quantity
Beauty Instrument		4 set	Hot Towel Cabinet		1 pcs
Facial Steamer		1 pcs	Magnifying lamp		1 pcs
Stand Column		1 pcs	castor with lock		2 pcs

Top board (accessory shelf) component		1 pcs	castor without lock		2 pcs
baseboard		1 pcs	M10 Hex cylinder spanner		1 pcs
17#open-end spanner		1 pcs	19#open- end spanner		1 pcs
Φ10spring washer		3 pcs	Φ12pring washer		4 pcs
Φ10 flat washer		3 pcs	Φ12 flat washer		8 pcs
M10*20 Hex cylinder head screw		6 pcs	M12 Cover nut		4 pcs

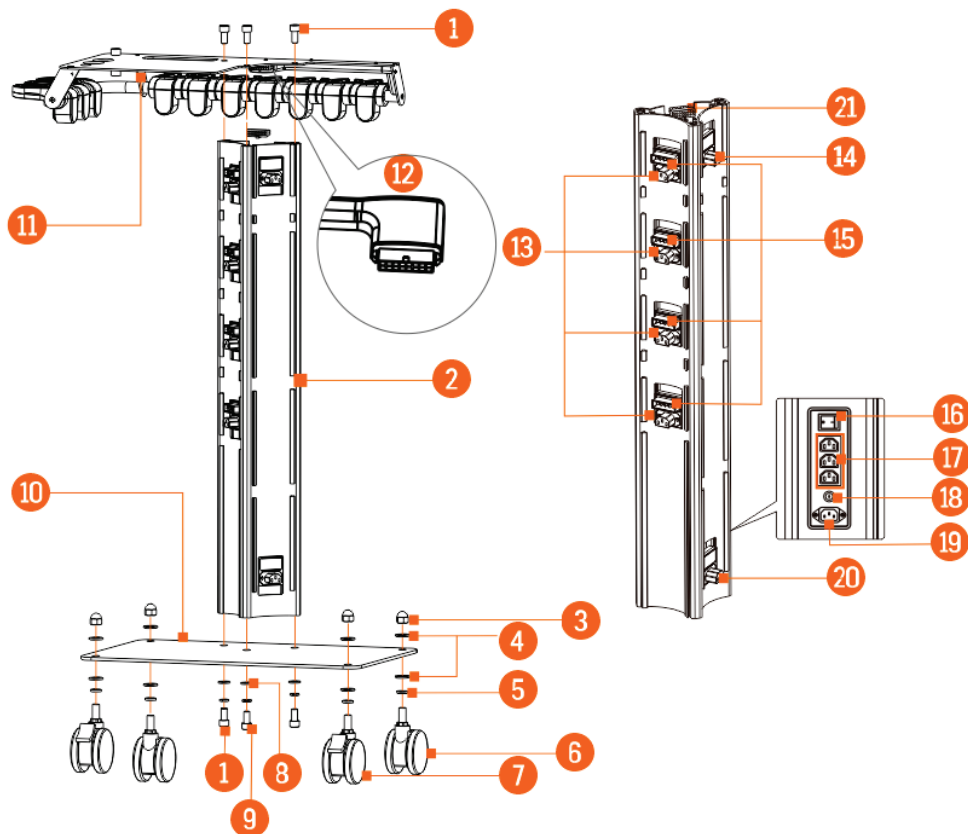
Host Machine Introduction



- 1.Magnifying lamp
- 2.Accessory shelf
- 3.Beauty Instrument
- 4.Facial Steamer
- 5.Hot Towel Cabinet

- 6.Accessory output connector
- 7.Aluminum column
- 8.Power interface
- 9.Base

Stand Column Introduction

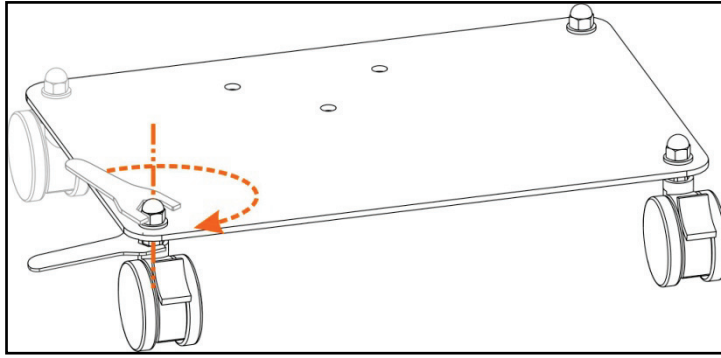


- | | |
|--|---|
| 1.M10*20 Hex cylinder head screw | 12.Function output socket |
| 2.Aluminum Stand Column | 13. Instrument power input connector |
| 3.M12 Cover nut | 14. Facial Steamer power input connector |
| 4.Φ12 flat washer | 15. Instrument accessory output connector |
| 5.Φ12pring washer | 16. Power switch |
| 6.castor without lock | 17. Power output socket |
| 7.cæbr with lock | 18. Insurance tube socket |
| 8.Φ10 flat washer | 19. Power input socket |
| 9. Φ10spring washer | 20. Hot Towel Cabinet power input connector |
| 10.Base | 21. Function output plug |
| 11.Top board(accessory shelf) component | |

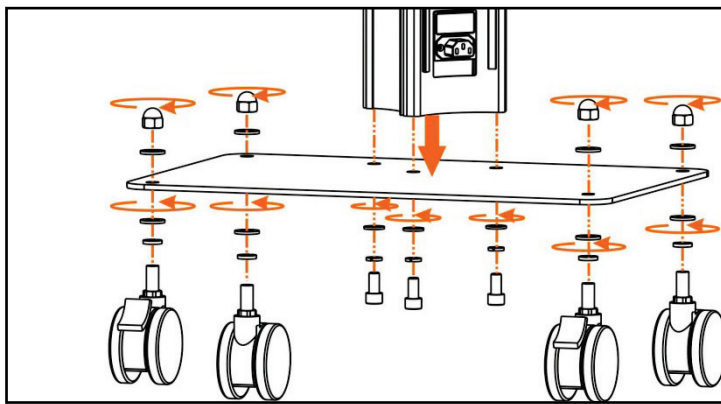
Assembly Instruction

- Install the base board and Top board(accessory shelf) component

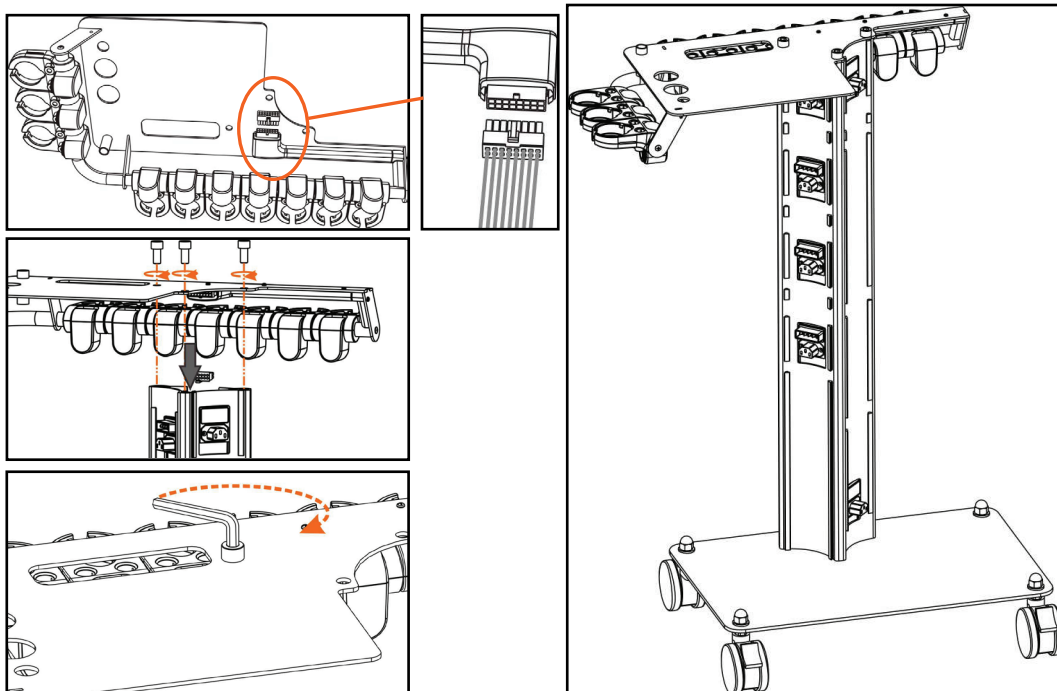
1.Install the castor on the base board: put the Φ12pring washer and Φ12 flat washer on the castor screw rob, then install the base board (please pay attention to put the castor with lock in front of base board) and put 1 pc Φ12 flat washer, screw up M12 cover nut. While screw up the cover nut, use 17#open-end spanner fixed the nut on the base board, then use 19#open-end spanner to tight the nut.



2. Install Aluminum Stand Column: put the three holds of the Aluminum Stand Column end to the hold which on the base board, then connect them with M10*20 Hex cylinder head screw, use M10 Hex cylinder spanner to tight the screw finally.

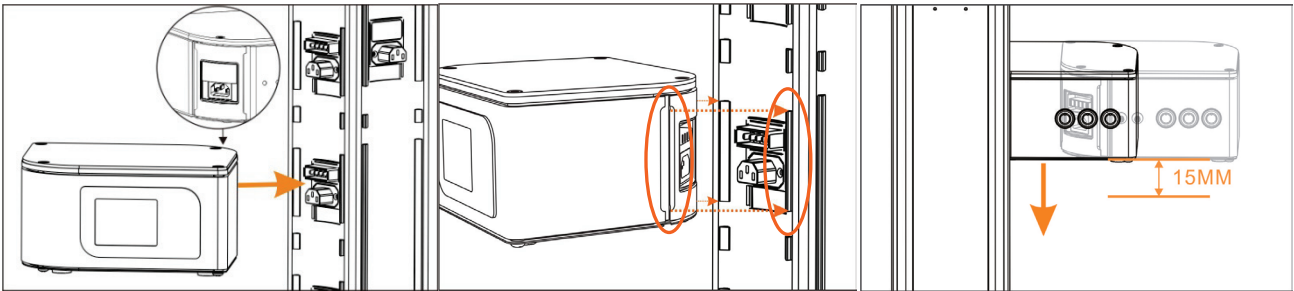


3. Install top board (accessory shelf) component: Firstly, install the function output plug of the Stand Column to the function input socket of the accessory shelf. Put the three holds of the Aluminum Stand Column end to the hold which on the top board, then connect them with M10*20 Hex cylinder head screw, use M10 Hex cylinder spanner to tight the screw finally.

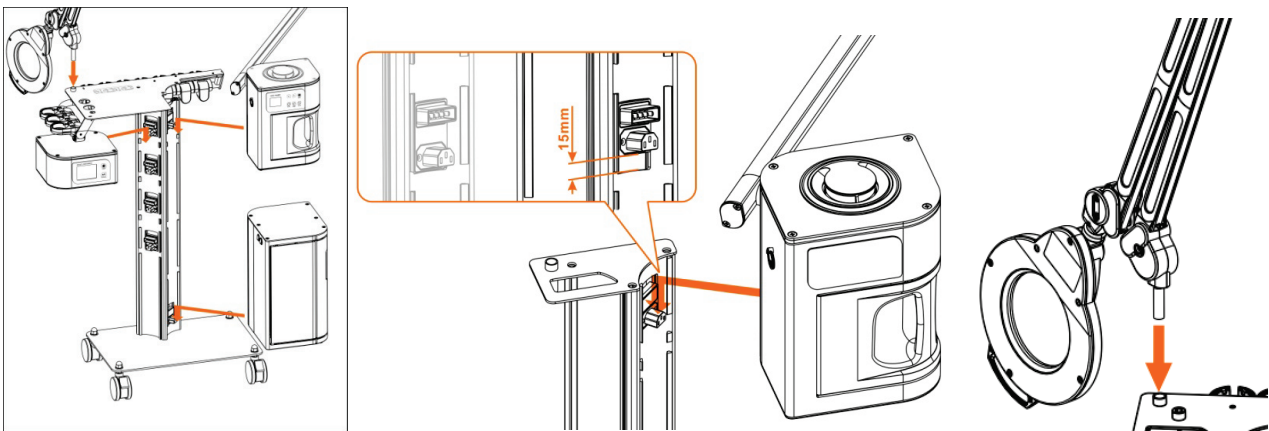


- Install instrument, facial steamer, hot towel cabinet

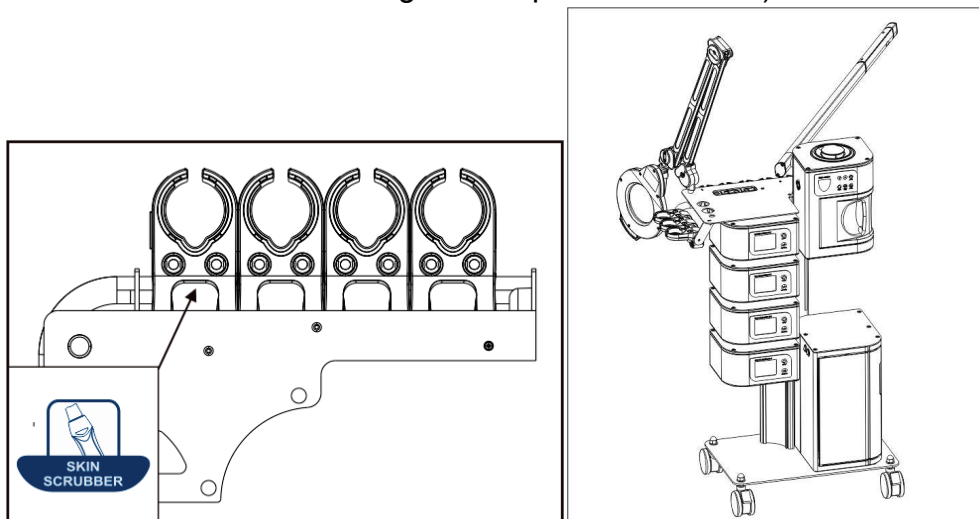
1. Put the host machine connector horizontally aligned to corresponding connector of the stand column, then install, when the connector properly installed, the host machine will sink 15mm.



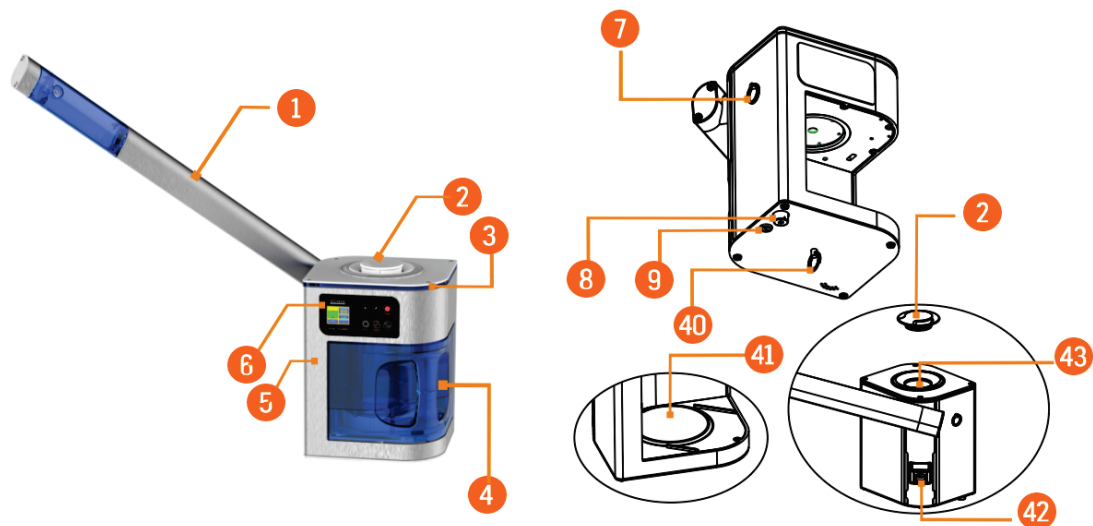
2. Common connector used for the instrument, facial steamer, hot towel cabinet that can be installed the other machine according to the above method.



3. Corresponding label used for each instrument on the aluminum column output connector. (The position of each instrument varies depending on the different orders, please be sure to installed according to our specified location)

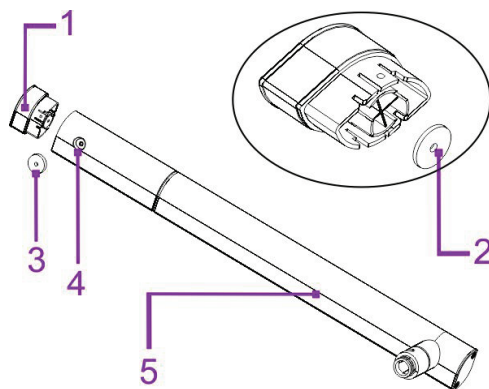


Facial Steamer Instruction



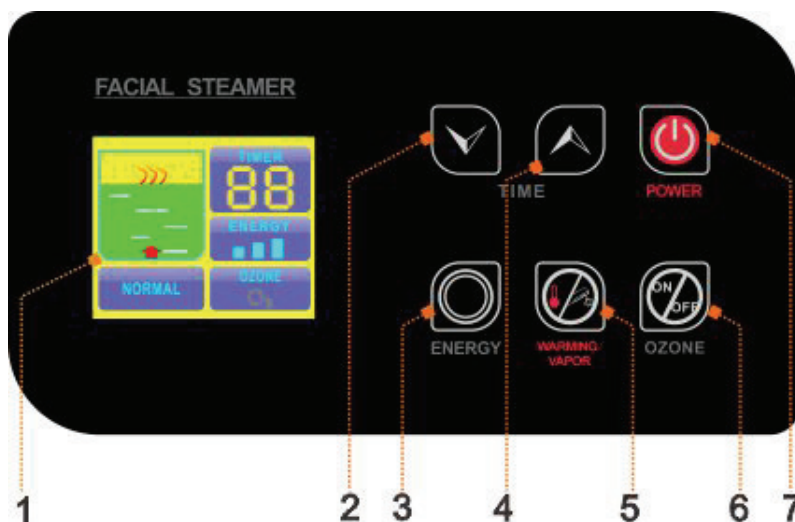
- 1. Herbal Net
- 2. Add enough water to cover
- 3. LED Lamp with
- 4. Water Cup
- 5. Hot Handle
- 6. Control Panel
- 7. Spray arms ring
- 8. Starter
- 9. Insurance header
- 10. Hot plate operative ring
- 11. Hot plate
- 12. The power input socket
- 13. Filler
- 14. Herbal base

Spray Arm Groups



- 1. Essential oil base
- 2. Essence oil Cotton
- 3. Steam Output
- 4. Spray Arm

Panel

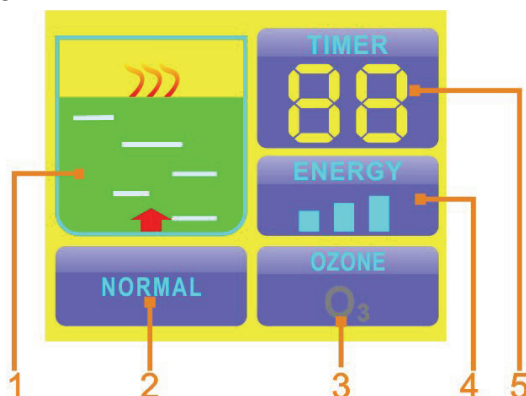


- 1. Working Window
- 2. Time Decreasing Key

- 3.Adjust Energy Key
- 4.Time Increasing Key
- 5.Warming Vapor Start Key

- 6.Ozone Star Key
- 7.Power

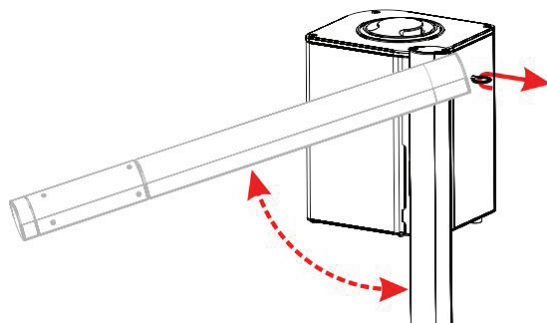
Working window Instruction



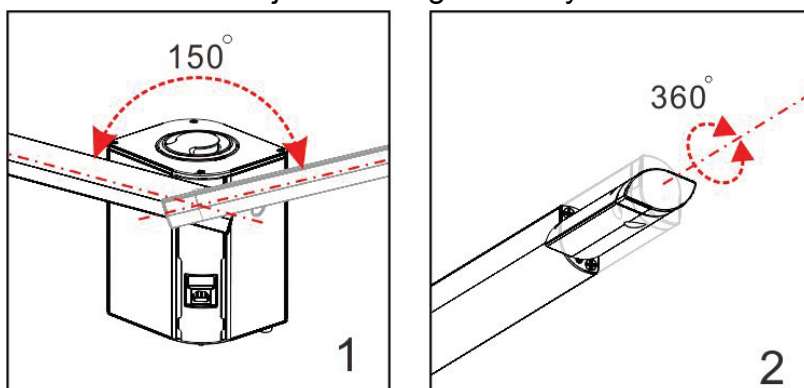
- 1.water cup working display area
- 2.warning display area
- 3.ozone working display area
- 4.energy display area
- 5.time display area

Usage Instruction

- unlock instruction of Spray arm
When you take out the machine, spray arm is locked. Now you should hold the spray arm and pull out by your hand, rotate the spray arm until to the horizontal position to unlock.

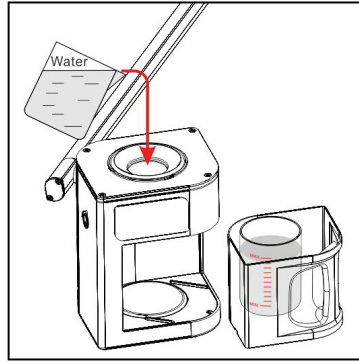


- Spray arm and spray nozzle adjustment instruction
With unique design spray arm for multi-angle adjustment to adapt different environment. As the follow picture 1 the Spray arm can adjust right and left 150 degrees. As the follow picture 2 the shower nozzle can adjust 360 degrees. Pay attention not to adjust too hard.

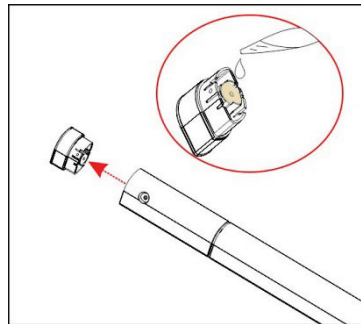


- add water to the host machine:
Please lift up the cover, put water to the water cup.Water level should not beyond

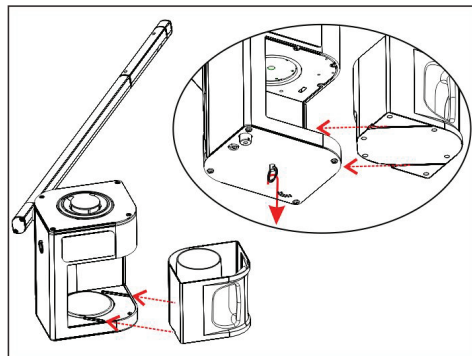
the between the water scale line






- Add perfume essence oil
You should unplug the essential oil base, add perfume essence oil with dropper into the cotton (one to two drops is OK). (Picture at right)
You can change cotton with a tweezer.




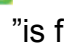


- Install and remove water cup:
Please turn down the power of the host machine before assembling the water cup, push down the hot plate operative ring by one hand, and hold the water cup handle by other hand, then push the water cup back to the hot machine.






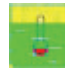
operation instruction

- Plug the power plug.
- Press the button  to turn on the host machine, the screen show the welcome menu, enter the language selection screen, then press  or  button to choose the language.



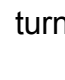


The host machine will enter the standby . Default time display window show "15" minutes. Energy display window show  maximum level. "Ozone" display area show  "symbol dark grey, The symbol of Water cup  is fixed.

● Hot vapor function:

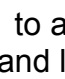
Press WARMING/VAPOR  to turn on the hot vapor function, the display screen show the hot vapor working status , the hot machine enter the hot vapor working status; in about 6 minutes, the steamer will come out


Temperature reservation function
Press WARMING/VAPOR  to turn on the temperature reservation function, the display screen show the temperature reservation function working status , the hot machine enter the temperature reservation function working status


● Time adjustment

Press  or  to adjust the time.
When hot vapor  turn on, the time adjustment range is 1-30 minutes, the default time is 15 minutes () When temperature reservation function  turn on, the time adjustment range is 1-90 minutes, the default time is 15 minutes

● Energy adjustment



choose the energy adjustment button  to adjust the energy. There are three choice for vapor volume, such as high, medium and low

When the energy indication on the energy  is highest




When the energy indication off the energy  is lowest


Please choose the highest energy before the vapor come out, then adjustment the energy to suitable level.

● Turn on the Ozone function

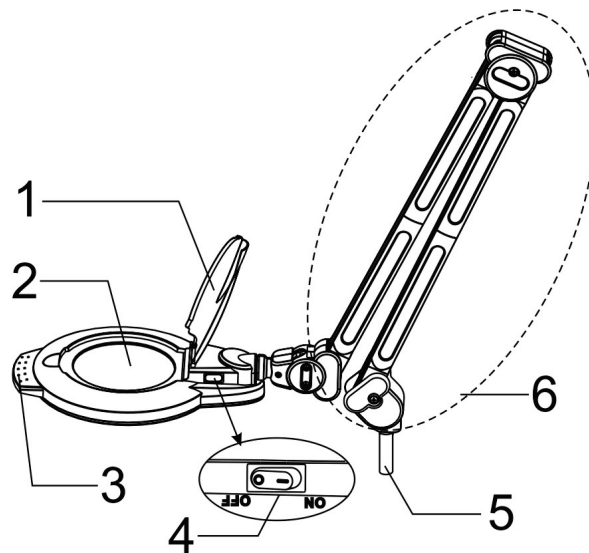
Press the  to turn on the Ozone function, the Ozone symbol of ozone indication area  are blue, when the ozone working. There are ozone smell with the vapor

● Water level alarm system

The water level detection system work during the hot vapor  or  temperature reservation system on, when the water stay in the normal status, the host machine heat continuously; when the water level beyond the lowest water level, the host machine will turn off the heating. And the symbol of the display window  will twinkle all the time

And the buzzer sounds the alarm with "Dee Dee" and lock all the button except the  button until the water level back to normal status and stop the buzzer and release button to restart the "WARMING/VAPOR" function.

Magnifying lamp Instruction

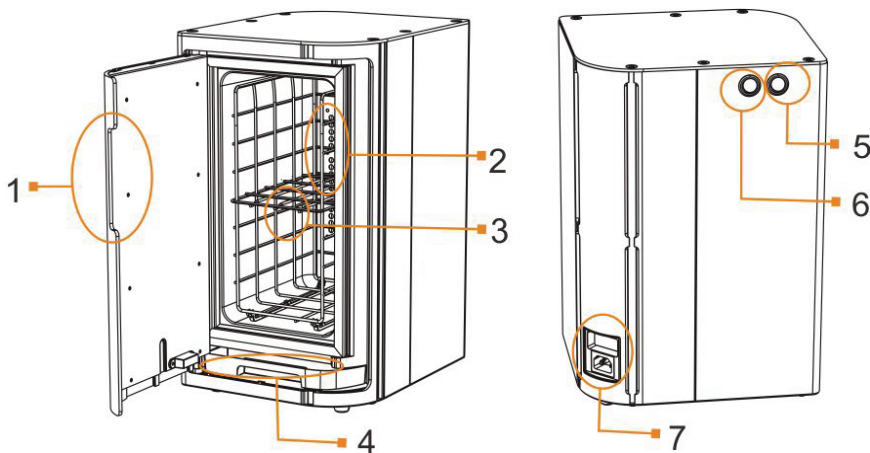


- | | | |
|--------------------|--------------------------|------------------------|
| 1. Anti-Dust cover | 2. Magnifying lamp glass | 3. Adjustable Handle |
| 4. Power switch | 5. Setting fasten column | 6. Magnifying lamp arm |

Operating instructions

- Plug power plug to the power socket
- Open anti-dust cover and hold the adjustable
- Turn on the power switch and start beauty operation.

Hot Towel Cabinet Instruction



- | | |
|------------------------------|------------------------|
| 1. Door handle | 5. Ozone on/off switch |
| 2. UV light and Ozone output | 6. Hot towel tray |
| 3. Hot towel tray | 7. Power input socket |
| 4. Water collection tank | |

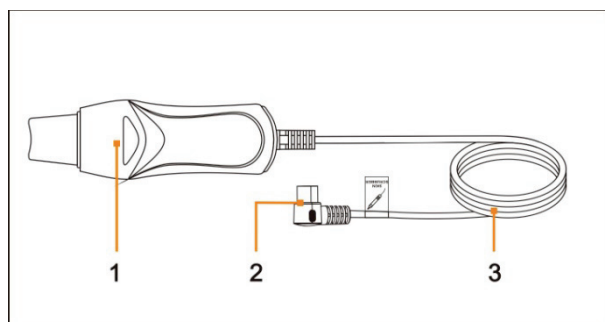
Operation Instruction

- Open the door and neatly place the wet towel and other objects into the hot towel tray. Upon close the door check whether the doorframe was well closed with the cabinet seal.
- Turn on the heating function by pressing the "Hot" button and the machine will start to heat up. When the temperature reaches 80 degree, the system will enter the auto temperature preservation status.

- The UV OZONE generator can be activated according to needs. When Ozone sterilization function is on, the blue light inside the hot towel cabinet will turn on, and the machine will enter the sterilization status.
- Clean up the water in the water drop collection tank: Pull out the tank by holding the grooves of the tank. After cleaning up the water, push back the tank by the opposite direction as shown on the picture.

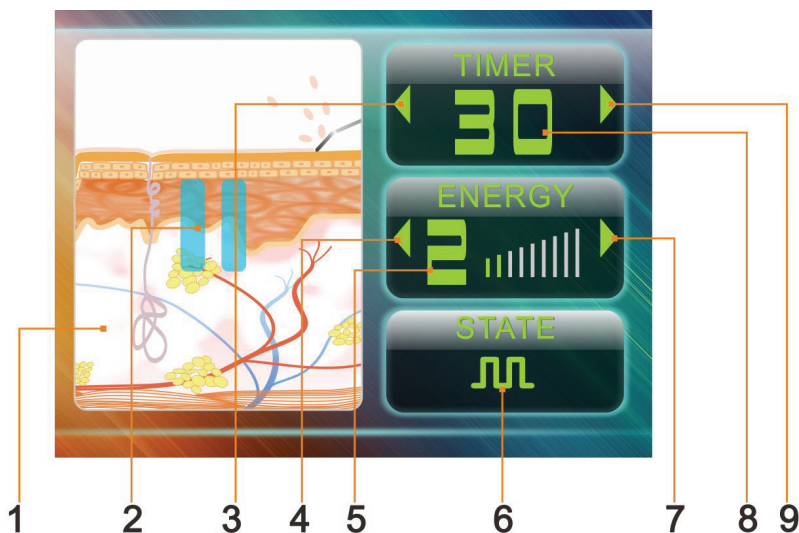
Skin Scrubber

- Accessories



1. Skin Scrubber 2. Scraper Knife Flexible Cable 3. Flexible Cable of Scraper Knife

Touch Control Panel




- | | |
|------------------------|--------------------------|
| 1. Display window | 6 Waveform selection key |
| 2. Start/Pause | 7. Energy increase key |
| 3. Time decrease key | 8 Time display window |
| 4. Energy decrease key | 9. Time increase key |
| 5. Energy display | |

operation instruction

Press the key "POWER" on control panel, the host enter into "language" interface, select the language types, when host machine is stand-by.
 >Time display "15";

>Energy display "1";

>Waveform selection area show Continuously working status  indicator image




>Pause indicator at right side  lights.


Function adjustment: Under the Stand-by status to adjust.

Time setting: press key "▶" and "◀" for "TIMER" to set up the working time of host machine, time range 1~30 min.

Energy adjustment: press "▶" and "◀" for "ENERGY" to control the energy output of host machine, adjustment levels 1~9.

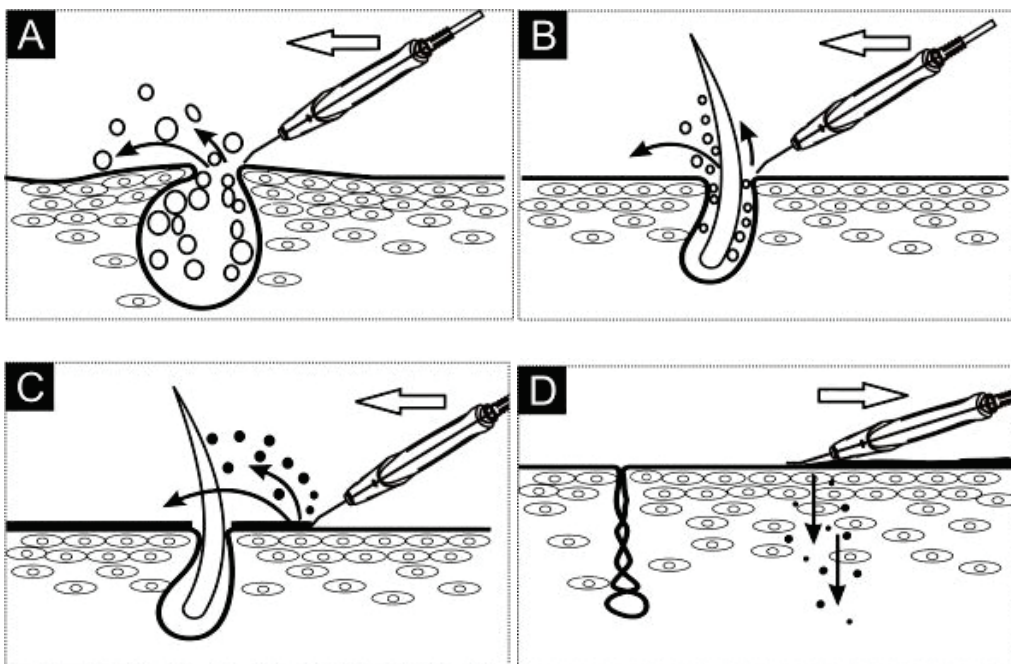
Waveform output selection: press "STATE" to select output of waveform.

The indicator  lights meaning to continuous wave output; if the indicator  lights meaning to hybrid wave output; if the indicator  lights meaning to board pulse wave output.

Start or pause output: under the status of stand-by or adjustment completes, press "▶ START PAUSE ◻◻◻" to start or pause the output from host machine; when the host is starting output, the start up working indicator ▶ lights; when the host is pause or stand-by, the pause indicator  lights.

Cleaning skin

- Use sprayer or cleaning water softens skin to be cleaned.
- Press ENERGY key to adjust energy to suitable strength.
- To wipe skin care products on the skin surface evenly (like cleaning milk etc.), in the whole process of cleaning skin care to be kept moist.
- Reference to the presentation of A.B.C.D



A、Eliminate acne without pain(As picture A).Ultrasonic can be split the mature

acne into smaller particles in a short time by vibration, and the whole process is painless.

B、 Clean-up eruption(As picture A)

With 25,000 times vibration frequency can be cleared the eruption in the pores and residue of cosmetic very quickly.

C、 Cleaning skin(As picture C)

Scraper knife and be cleaned the dirty things and aging skin.

D、 Import massage(As picture D)

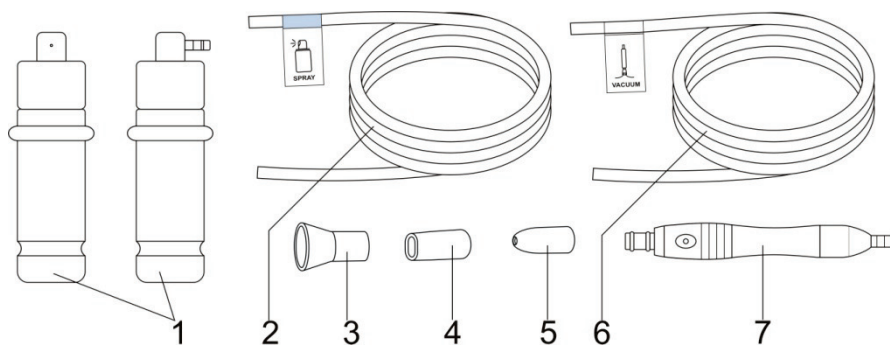
Place the head of the scraper knife on the surface skin flatly, and with push-pull can be imported essence to skin effectively(As picture D).

Daily Maintenance:

- The flexible cables for probes and instrument should be in order, DO NOT repeated twist.
- Be care of probe during using, and the probe after used should be sterilized and wiped dry, and kept in clean, dry.
- The instrument should be wiped with dry dishcloth, DO NOT wet in water.
- Please switch on the main power after using of instrument every day, and takes away the plug when finishes a working day.
- The instrument should NOT be placed in sunlight, raining, moisture, dust and smoke accumulated area.

Spray Vacuum (Optional Functions)

Accessories



1. Spray bottle

2. Spray bottle air flexible tube

3. Horn mouth sucker

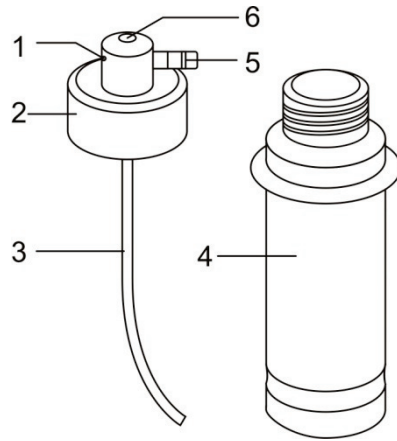
4. Flat mouth sucker

5. Round let mouth sucker

6. Suction bar air flexible tube

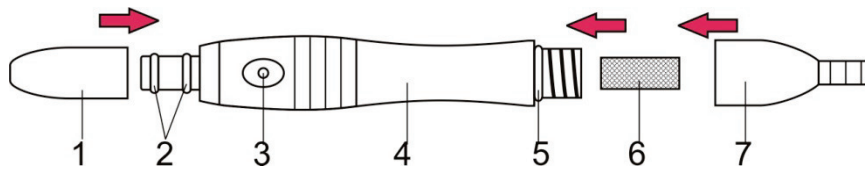
7. Suction bar

Spray Bottle



- 1. Nozzle
- 2. Cover of bottle
- 3. Suction tube
- 4. Spray bottle
- 5. Air inlet joint
- 6. Air vent

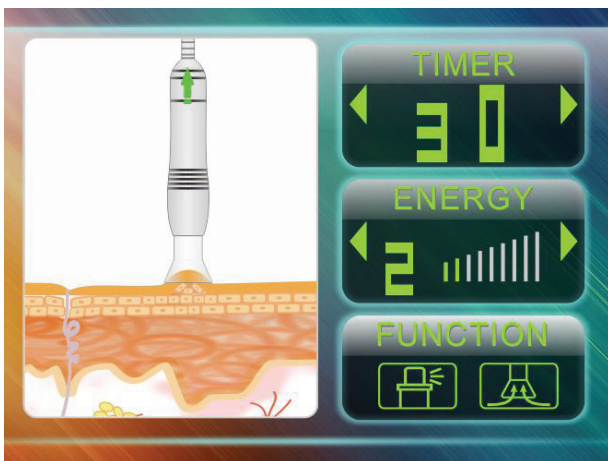
Suction Bar



- 1 Round let mouth sucker
- 2. Seal ring of sucker
- 3. Relief-pressure air vent
- 4. Suction bar
- 5. Seal ring of bar
- 6. Sponge filter
- 7. Suction bar end

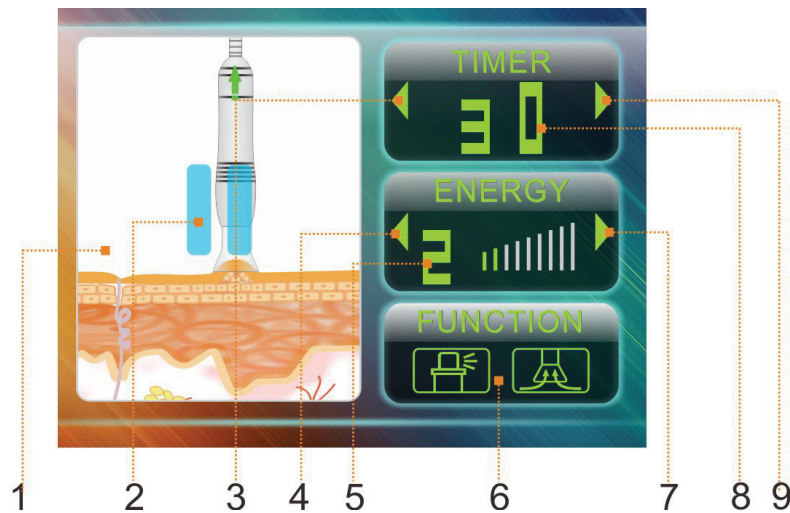
Touch Control Panel

Vacuum (Microdermabrasion)



Spray





- | | |
|--|--|
| <p>1. Display window
(show working state, start/pause control area)</p> <p>2. Start/Pause</p> <p>3. Time decrease key</p> | <p>4. Energy decrease key</p> <p>5. Energy display</p> <p>6. function select key</p> <p>7. Energy increase key</p> <p>8. Time display window</p> <p>9. Time increase key</p> |
|--|--|



Press the key "power" on control panel, the host enter into "language "interface,, select the language types, when host machine is stand-by.

- >Time display "15";
- >Energy display "5";
- >Display area start or Pause **||** .


Function adjustment: Under the Stand-by status to adjust.

Time setting: press key "▶" and "◀" for "TIMER" to set up the working time of host machine, time range 1~30 min.

Energy adjustment: press "▶" and "◀" for "ENERGY" to control the energy output of host machine, adjustment levels 1~9.

Function select : presses  to select Vacuum Function , presses  select Spray Function.

Start or pause output: under the status of stand-by or adjustment completes, press "

 START/PAUSE " to start or pause the output from host machine; when the host is starting output, the start up working indicator ▶ lights; when the host is pause or stand-by, the pause indicator **||** lights.

● Spray Function

Under start up of host output, hold tightly the spray bottle by hands, and presses slightly the vent at top of spray bottle by fingers, then the mist will spray from the mouth; two spray bottles are prepared, for different liquids, and the bottle could be switched alternatively based on demand; the host should be pause for output when switch the spray bottle.

It should be careful for nursing of critical parts e.g. Mouth, nose, eyes. Please close the eye, mouth to prevent liquid sucked into the naris and should spray out toward below of chin, and

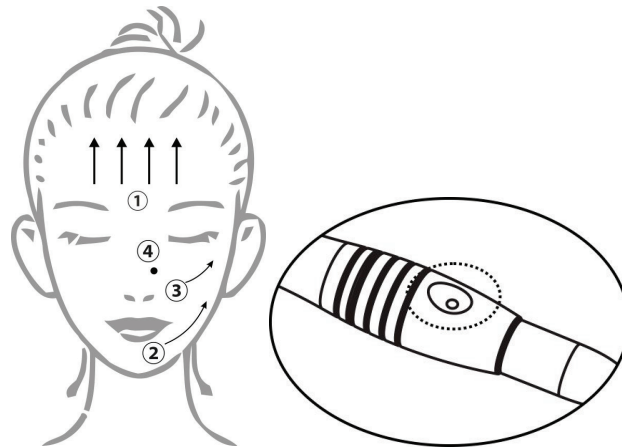
keeps certain distance with face. After spray, pauses the host, and absorbs remained liquid on surface with cotton pellet or soft paper.

- Vacuum (Microdermabrasion) Function

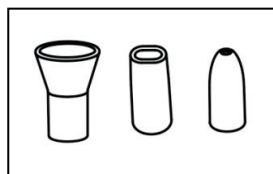
Turn on the power of the host, adjust the working time and energy, and click the start

key “”.

Under the start up of host, hold tightly the vacuum bar by hands (like holding a pen), moves the bar to working location, the nozzle of transparent sucker should contact with skin, and presses slightly the relief-pressure air vent, then the skin contacting with sucker is absorbed, and moves around the bar on related parts, where allows to absorb black head, acne in skin.



Different suckers should be selected based on the different skin areas:



1. Round let mouth sucker is used for black head, acne in small area skin;
2. Flat mouth sucker is used for black head, acne in narrow area skin;
3. Horn mouth sucker is used for black head, acne in big area skin.

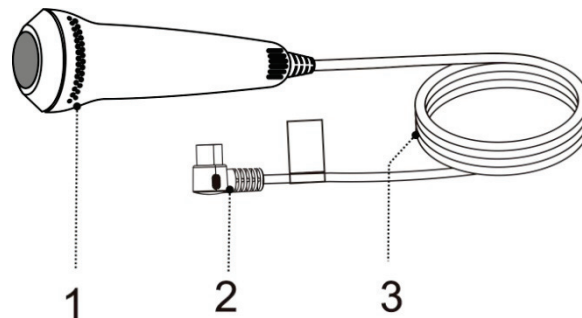
Daily Maintenance:

- Be care of probe during using, and the probe after used should be sterilized and wiped dry, and kept in clean, dry.
- The sucker should be kept clean.
- The nozzle of spray bottle should be kept in clean and unblocked.
- The instrument should be wiped with dry dishcloth, DO NOT wet in water.

- Please switch on the main power after using of instrument every day, and takes away the plug when finishes a working day.
- The instrument should NOT be placed in sunlight, raining, moisture, dust and smoke accumulated area.

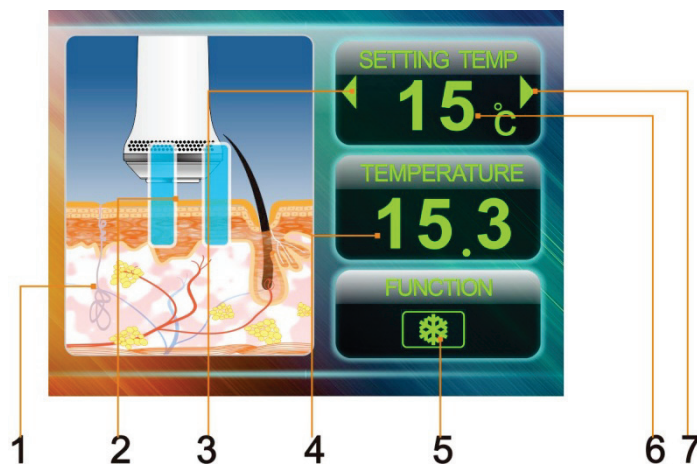
Cool & Hot Hammer (Optional Functions)

Accessories




1. Cool & Hot Hammer handle
2. Plug for Cool & Hot Hammer handle flexible cable
3. Cool & Hot Hammer handle flexible cable

Touch Control Panel



1. Display window
2. Start/Pause
3. Temperature decrease key
4. Current temperature window
5. Select function window (cool or hot)
6. Setting\current temperature window
7. Temperature increase key

Press the key "  " on control panel, the host enter into "language "interface, select the language types, when host machine is stand-by.

Standby status: Setting the temperature window /Display the current temperature



window

Default display when selecting refrigeration function: "15";


Default display when selecting heating function: "40";

Default display  icon ;

Display area start or Pause 

Start or pause output: under the status of stand-by or adjustment completes, press " START/PAUSE " to start or pause the output from host machine; when the host is starting output, the start up working indicator  lights; when the host is pause or stand-by, the pause indicator  lights.

select function first(cool  or hot ).Temperature adjustment :Press increase  or

decrease  to the proper temperature , Setting or display current temperature window ,The current temperature will display"0" ,When no operation is performed for 3 seconds, Then switch to display the current temperature of the hot and cold hammer head , If the two window display 15,6 separately. It means the current temperature of the hammer head is "15.6" degree. Heating Range is 35 ~ 42 degree , Refrigeration range is 15 ~ 18 degree. If working in cool therapy , Hammer head will



emit blue light , If working in hot therapy , Hammer head will emit red light



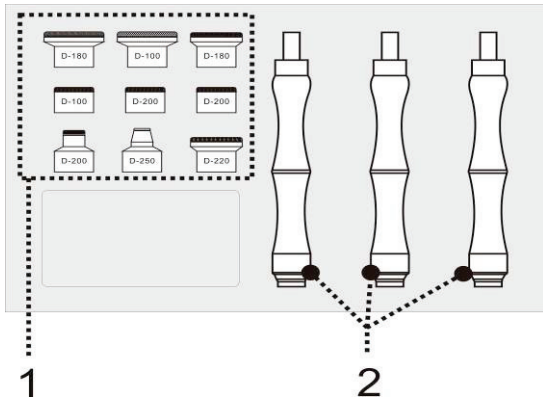
,We can distinguish the working state at this time from the light color of the probe , If you stop working, the lights go out

Daily Maintenance

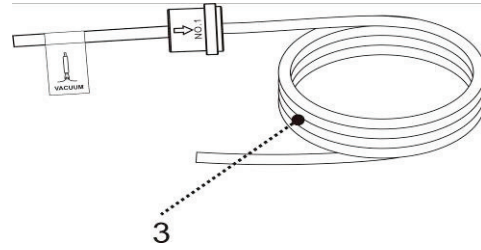
- The flexible cables for probes and instrument should be in order, Do not repeated twist.
- The instrument should be wiped with dry dishcloth, Do not wet in water.
- After using should be sterilized and wiped dry, and kept in clean, dry.
- Please switch on the main power after using of instrument every day, and takes away the plug when finishes a working day.
- The instrument should not be placed in sunlight, raining, moisture, dust and smoke accumulated area.

Microdermabrasion (Optional Functions)

Accessories



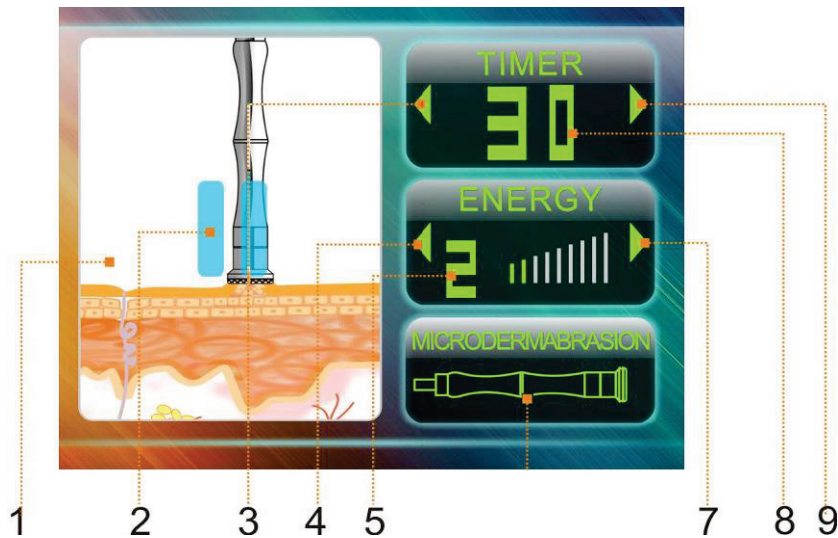
1. diamond probes



2. handle

3. connection hose

Control Panel Introduction:



1. Display window

(show working state, start/pause control area)

2. Start/Pause

3. Time decrease key

4. Energy decrease key

5. Energy display

7. Energy increase key

8. Time display window

9. Time increase key

Press the key "power" on control panel, the host enter into "language "interface", select the language types, when host machine is stand-by.

>Time display "15";

>Energy display "5";

>Pause indicator at right side **||** lights.

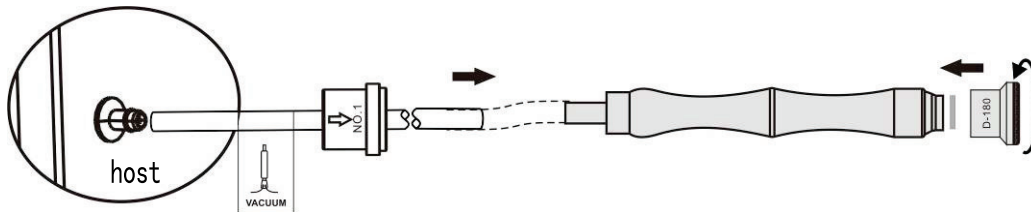
Function adjustment: Under the Stand-by status to adjust.

Time setting: press key "▶" and "◀" for "TIMER" to set up the working time of host machine, time range 1~30 min.

Energy adjustment: press "▶" and "◀" for "ENERGY" to control the energy output of host machine, adjustment levels 1~9.

After finished setting , press "▶/⏸" or touch the animation display area to start or pause the output for host machine.

Operation Method



Firstly, please connects the handle with connection hose labeled with "vacuum tube", The other side connects with the output from the host.

Screw one of the diamond probe with the handle. Please keep the shape of the rubber band to be sealed when insert the probe slowly.

Turn on the host and adjust the timer and energy, host will keep pause of output.

When the host starts to output, hold up the handle, close the skin with the probe and intake it by negative pressure, move back and forth on the skin.



D-180 Body , especially for acne , knee , elbow areas and striae of



D-220 pregnancy.



D-100 Face , for the larger blemishes



For scars , fine lines and imperfections.

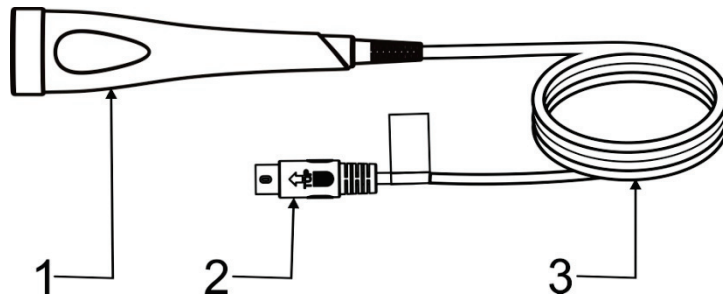
Please choose certain probe as per different skin area when treatment for clients.

Daily Maintenance:

- Be care of probe during using, and the probe after used should be sterilized and wiped dry, and kept in clean, dry.
- The instrument should be wiped with dry dishcloth, DO NOT wet in water.
- Please switch on the main power after using of instrument every day, and takes away the plug when finishes a working day.
- The instrument should NOT be placed in sunlight, raining, moisture, dust and smoke accumulated area.

RF (Optional Functions)

Accessories

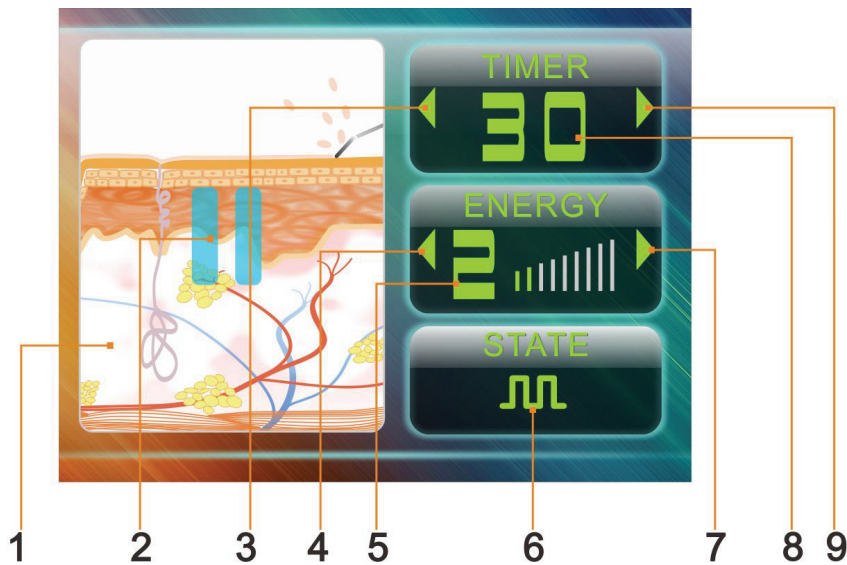


1. RF Probe

2. Plug of flexible cord

3. Flexible cord

Touch Control Panel



1. Display window

(show working state, start/pause control area)

2. Start/Pause

3. Time decrease key

4. Energy decrease key


5. Energy display

6. Waveform selection key

7. Energy increase key

8. Time display window

9. Time increase key

Press the key "  " on control panel, the host enter into "language "interface, select the language types, when host machine is stand-by.

>Time display "15";



>Energy display "1";





Waveform selection area show Continuously working status indicator 

>Display area start or Pause  .

3. Function adjustment: Under the Stand-by status to adjust.

Time setting: press key "  " and "  " for "TIMER" to set up the working time of host machine, time range 1~30 min.

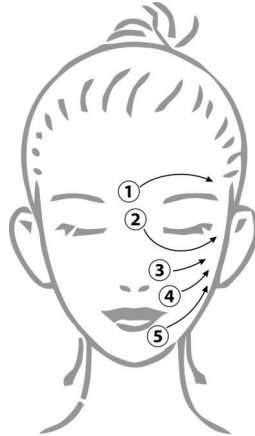
Energy adjustment: press "  " and "  " for "ENERGY" to control the energy output of host machine, adjustment levels 1~9.




Waveform output selection: press "  " to select output of waveform. The indicator  lights meaning to continuous wave output; if the indicator  lights meaning to hybrid wave output; if the indicator  lights

meaning to board pulse wave output.

Start or pause output: under the status of stand-by or adjustment completes, press " START/PAUSE " or touch the animation display area to start or pause the output from host machine; when the host is starting output, the start up working indicator ► lights; when the host is pause or stand-by, the pause indicator || lights.

Operating Instruction



- Direct contact therapy, Probe connect to skin directly , probe move even on the treatment position, or move slow ,straight on circular method
- Clean the face before using with cleanser
- Remove all cleaner
- Pat face with restraining water
- Remove balance restraining water, make the skin thorough disinfection and best protect
- Analyze nature of skin ,put properly ointment (Probe move flexible as standard
- Start the machine , adjust suitable energy, usually face could be strongest 9 level, eye could be middle -5 level
- Operating time , usually should be 15 minutes
- Choose wave according customer skin  continuous wave good for normal skin,  mixed wave good for dry or oily skin  wide pulse wave good for corneous skin or sensitive skin

Daily maintenance

- The connection of the probe and the instrument should be straightened out and cannot be wound repeatedly.
- When the probe is used, it should be handled gently. After use, the probe must be disinfected and dried to keep it clean and dry.
- The instrument should be cleaned with dry cloth and cut with water.
- After the instrument is used every day, please turn off the main power switch and remove the power plug from the socket after work.
- The equipment should avoid direct sunlight, rain, damp, dust and smoke.

Specifications and Technical Data

Product Name	7 IN 1 beauty instrument
Item No.	H5008
Function	Facial steamer、magnifying lamp、Hot Towel Cabinet (Skin Scrubber、 Spray And Vacuum、 Microdermabrasion、 Cool & Hot Hammer,RF)
Rated Voltage/Power	AC 100-120V ~ AC 220-240V ~
Working Frequency	50/60Hz
Rated power	800W
Dimension (L*W*H)	440*550*1200mm
N.W	43.4Kg