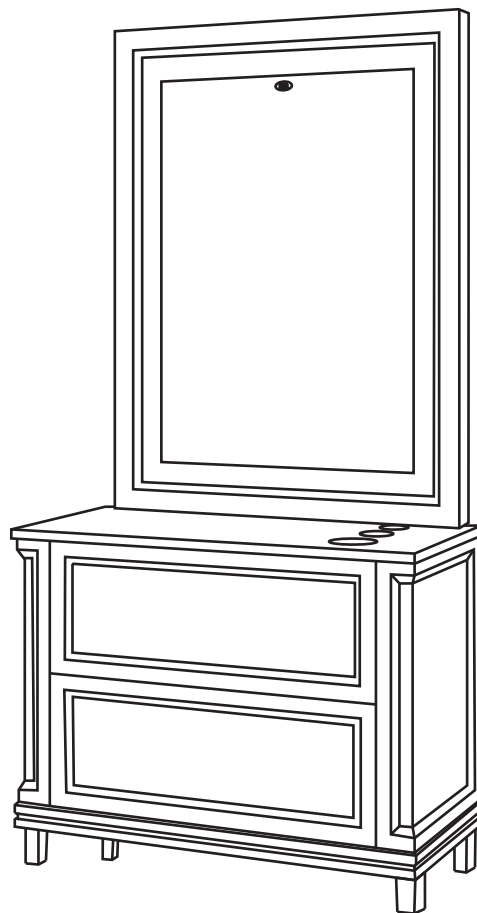


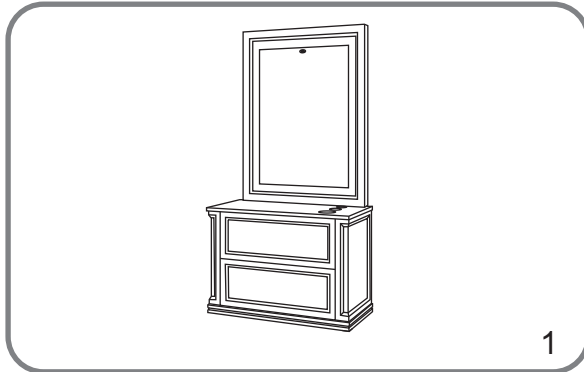
Langley

6205

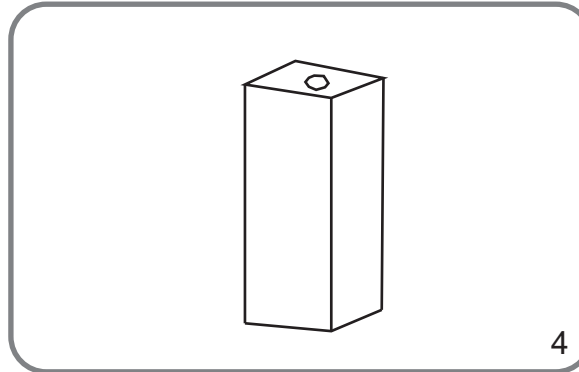
INSTRUCTION MANUAL



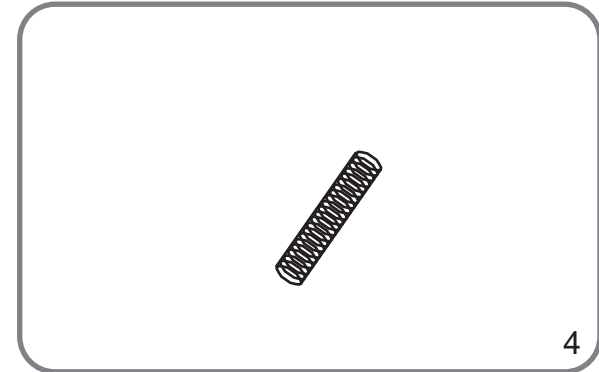
EN



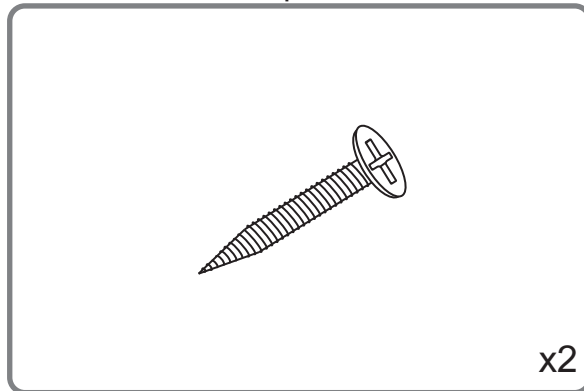
Cupboard



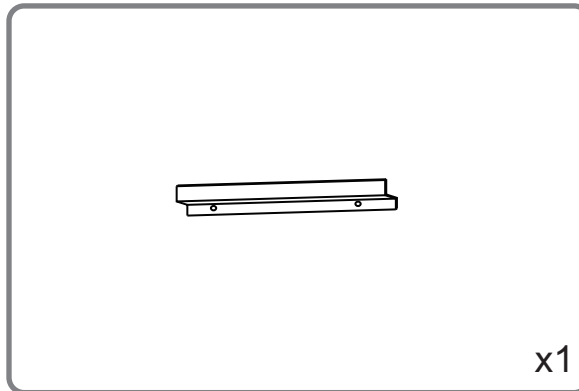
Legs



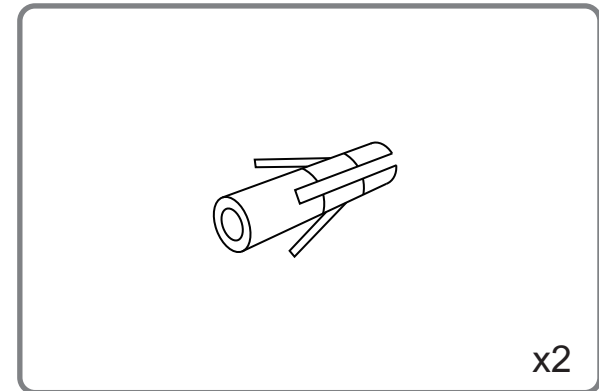
Screw



Tapping Screw

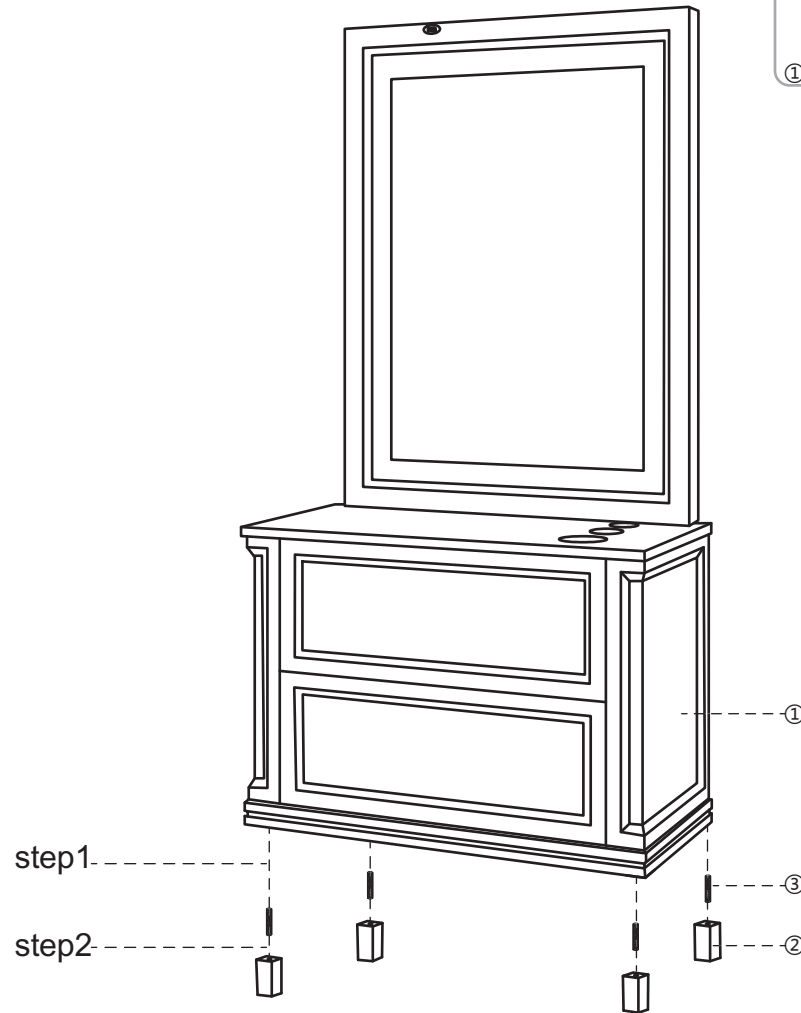
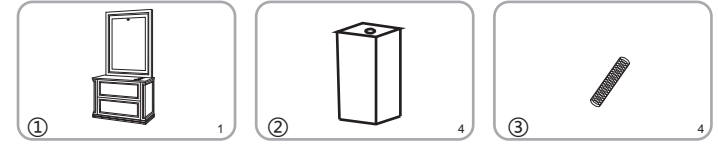


Hanger(L=45CM)

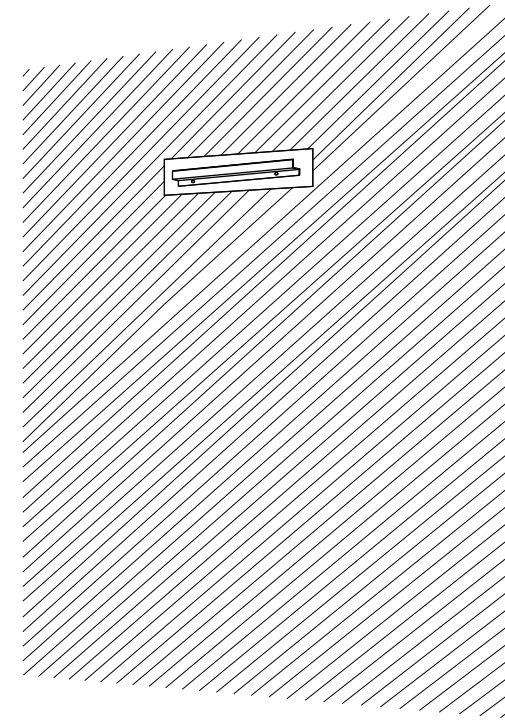
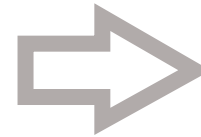
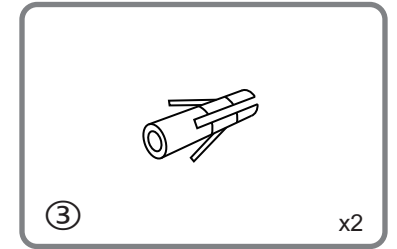
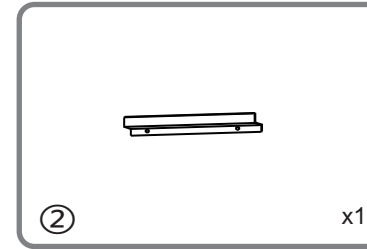
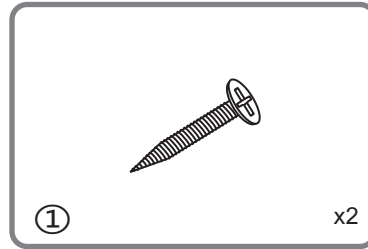
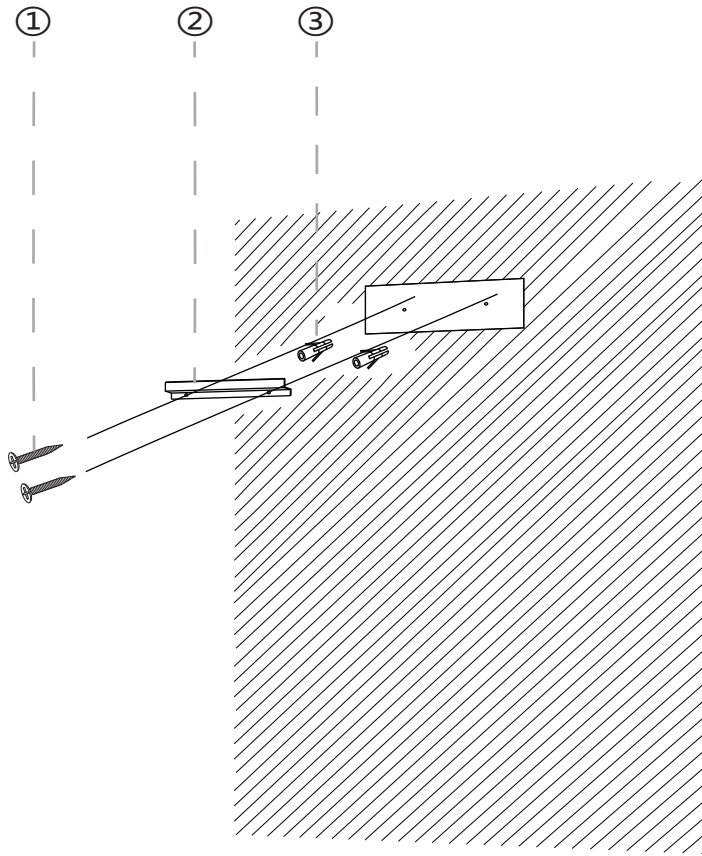


x2

ASSEMBLY INSTRUCTIONS



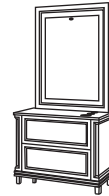
ASSEMBLY INSTRUCTIONS



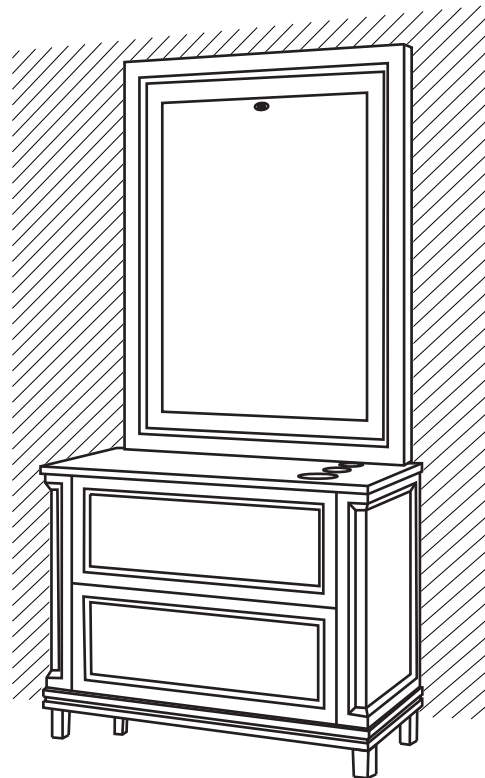
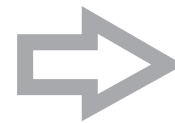
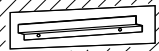
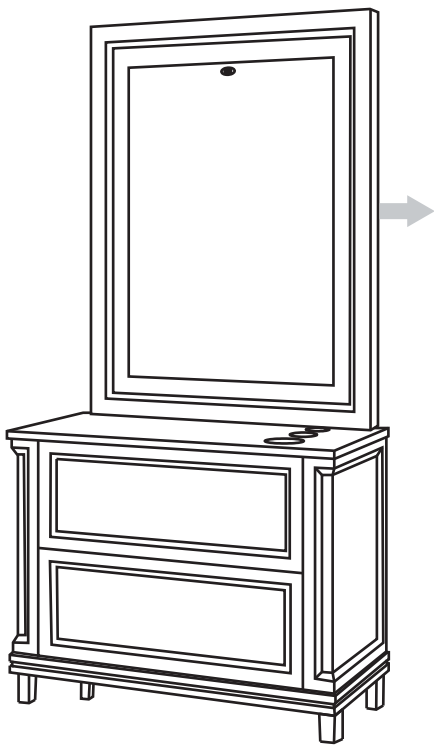
DIR

www.dirsalonfurniture.uk

ASSEMBLY INSTRUCTIONS



x1



www.dirsalonfurniture.uk