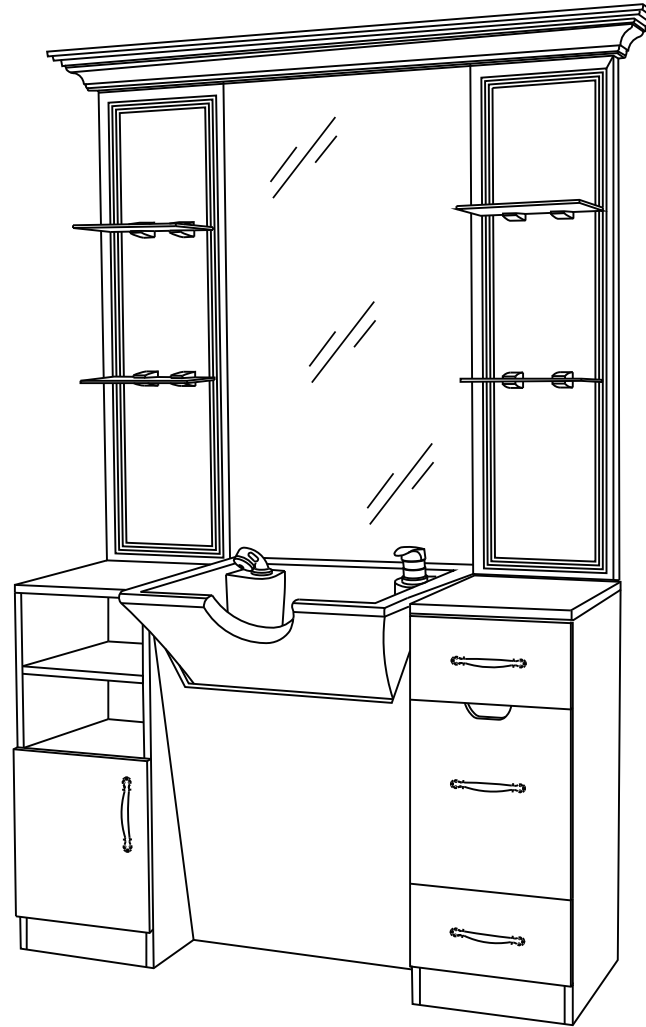


# DIR

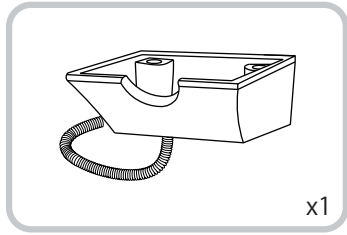


# Taylor

6858

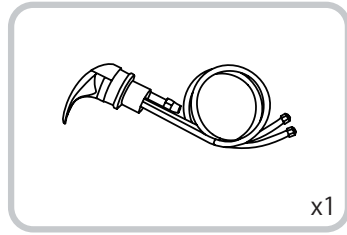
INSTRUCTION MANUAL

# List of Parts & Tools



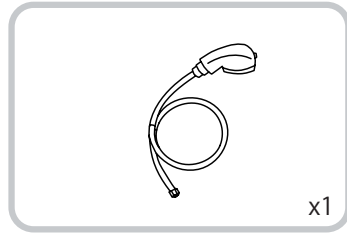
x1

101001



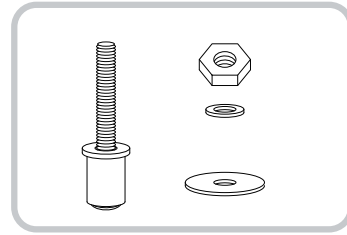
x1

101002

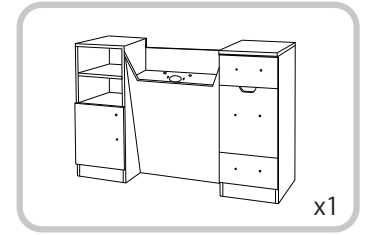


x1

101003

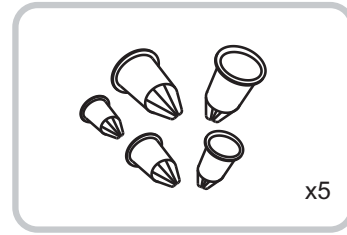


101004



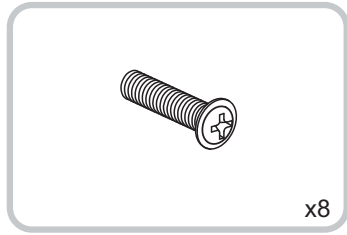
x1

101005



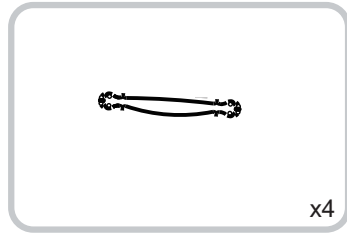
x5

101006



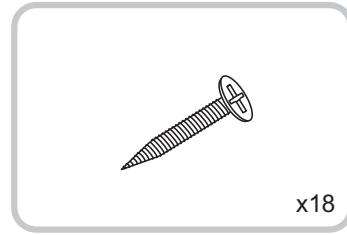
x8

101007



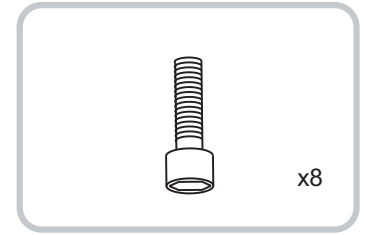
x4

101008



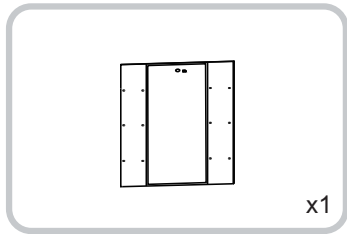
x18

101009



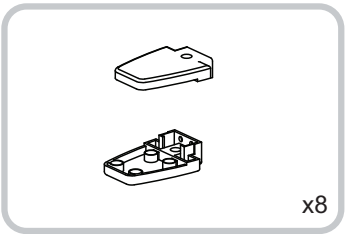
x8

101010



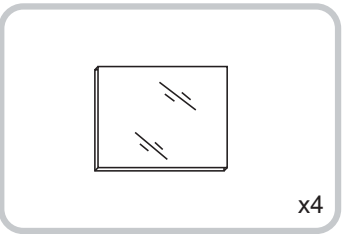
x1

101011



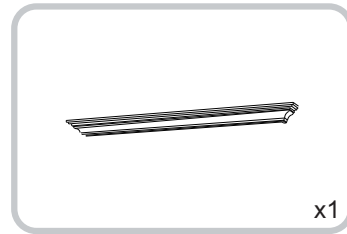
x8

101012



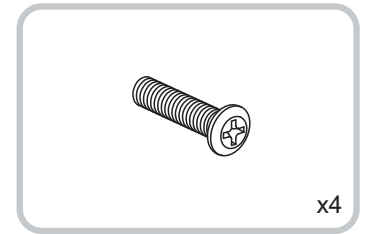
x4

101013



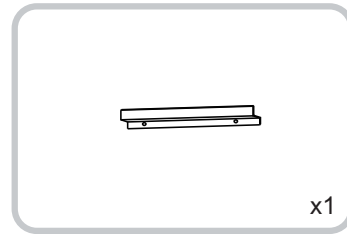
x1

101014



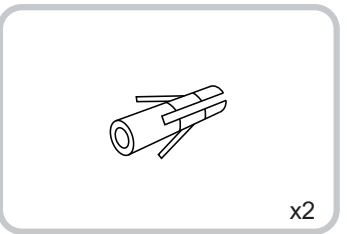
x4

1010015



x1

101016

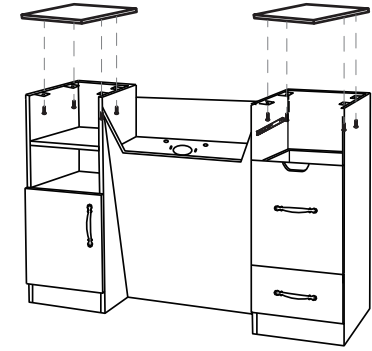
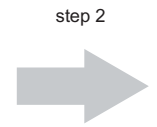
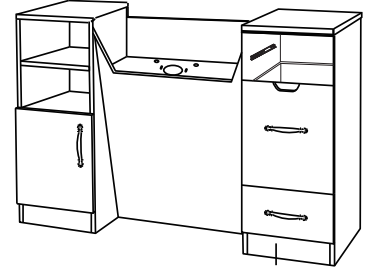
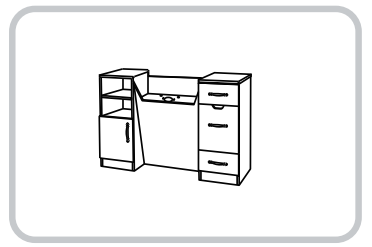
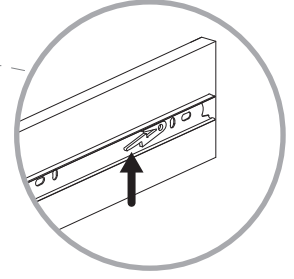
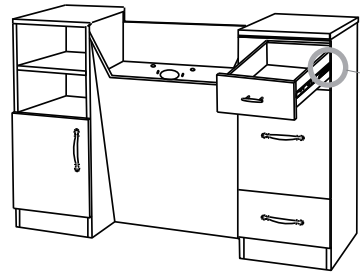
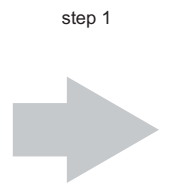
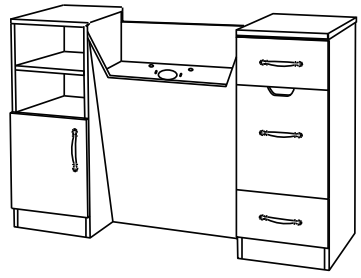


x2

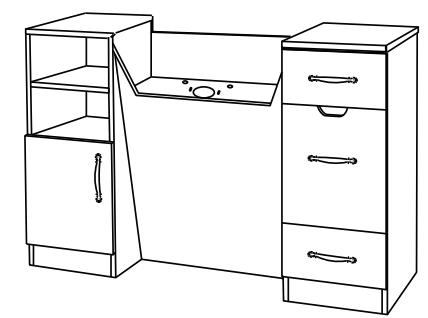
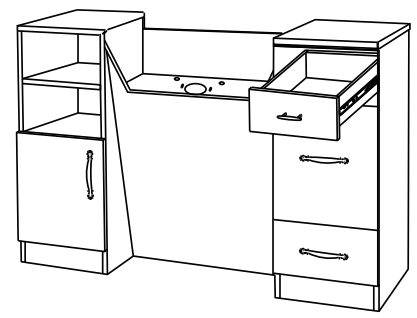
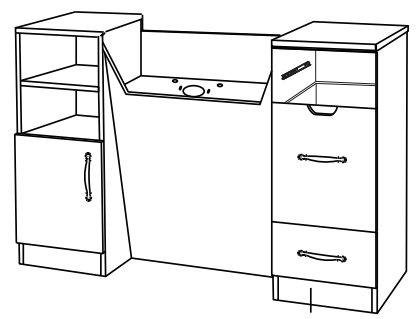
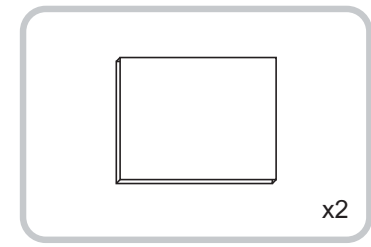
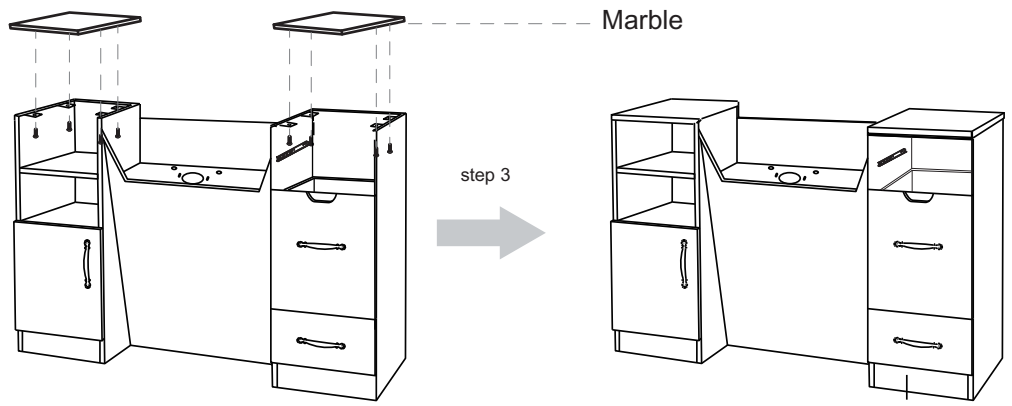
101017

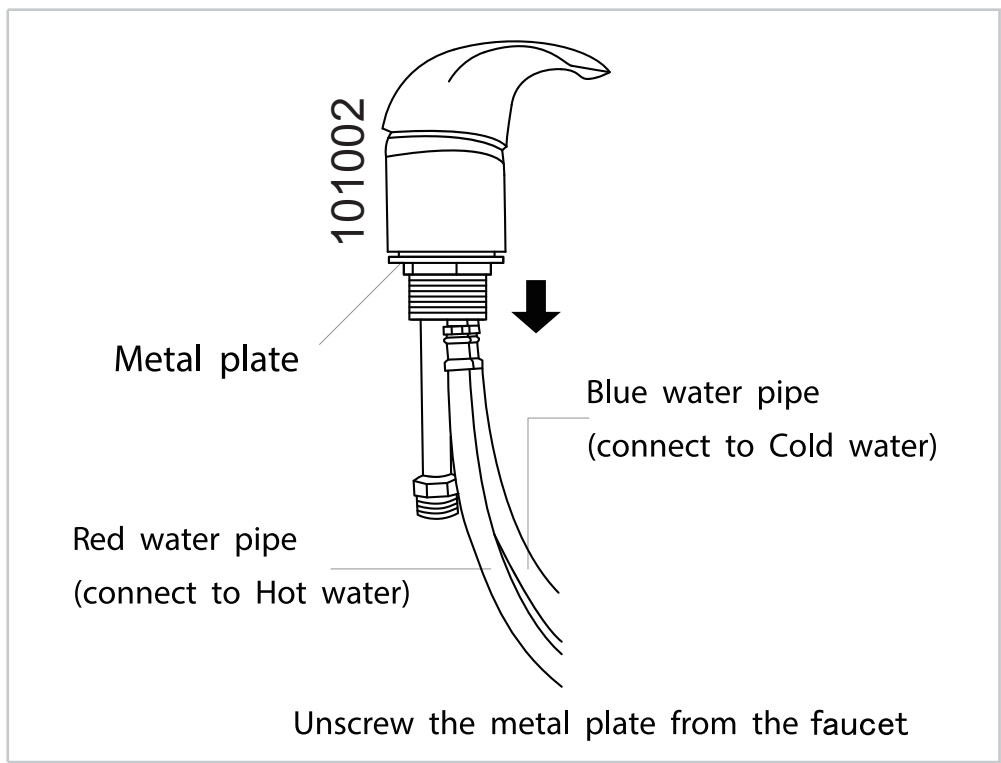
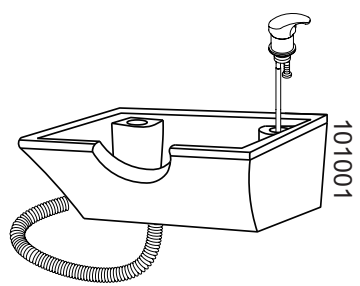
# Replacement of marble countertops

Marble countertops are optional products

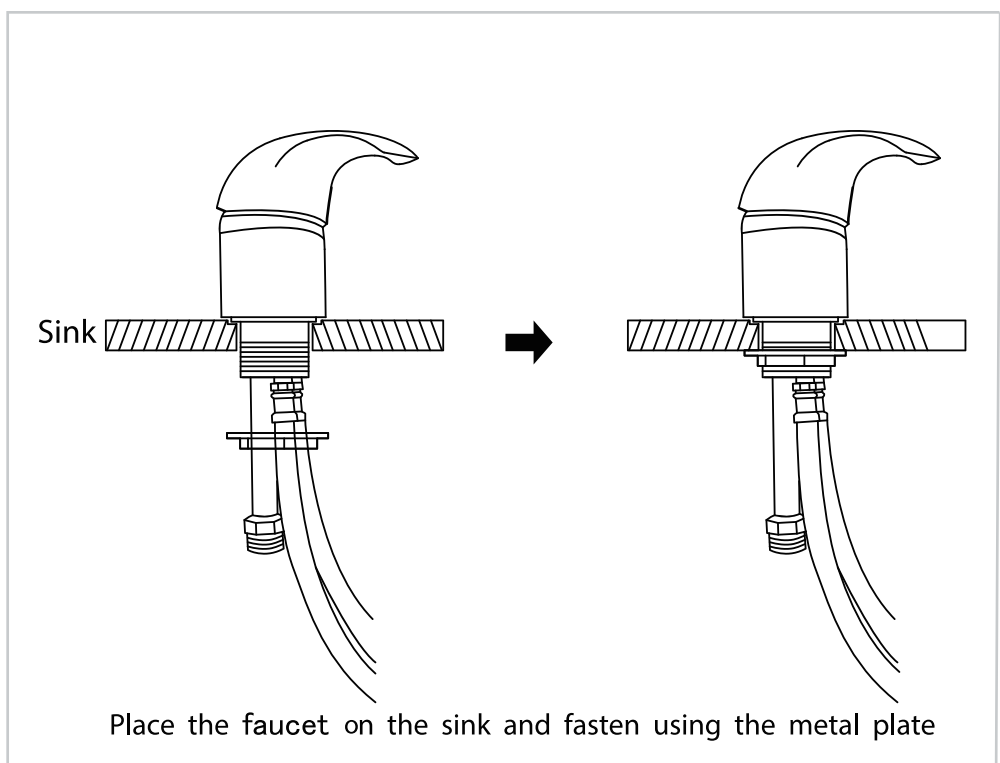


# Step 2

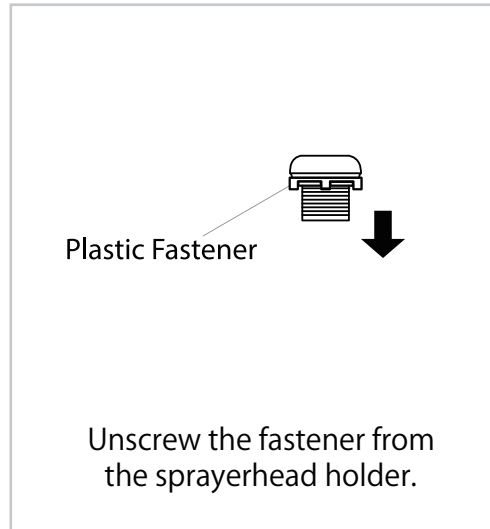
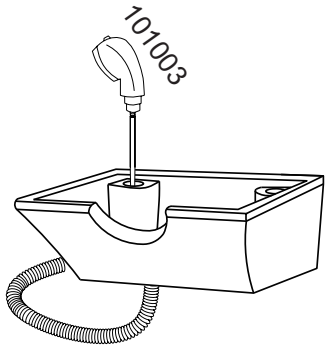




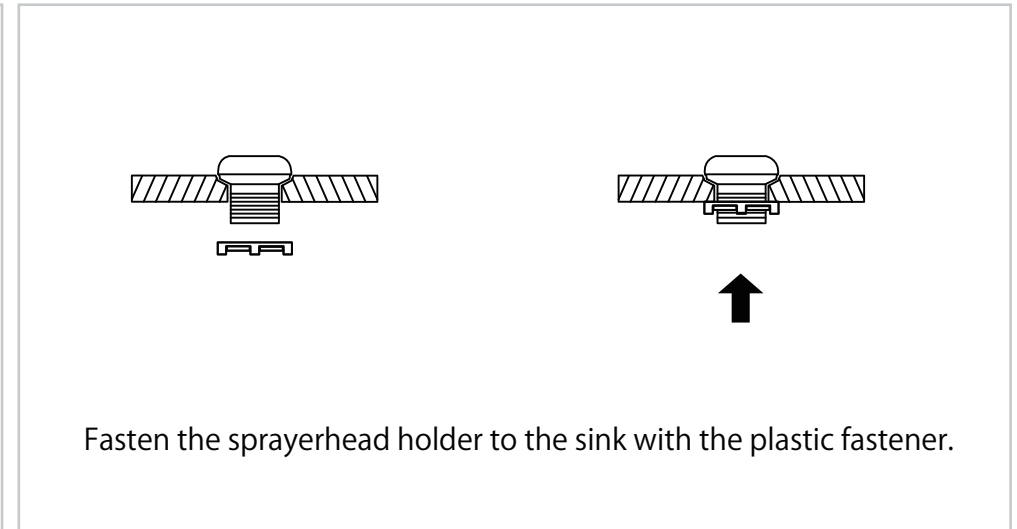
STEP 1



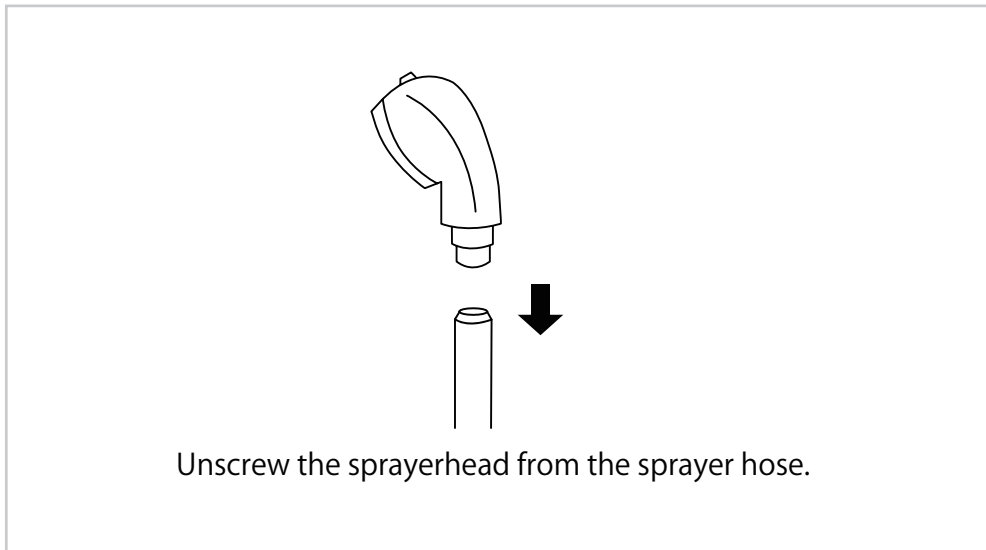
STEP 2



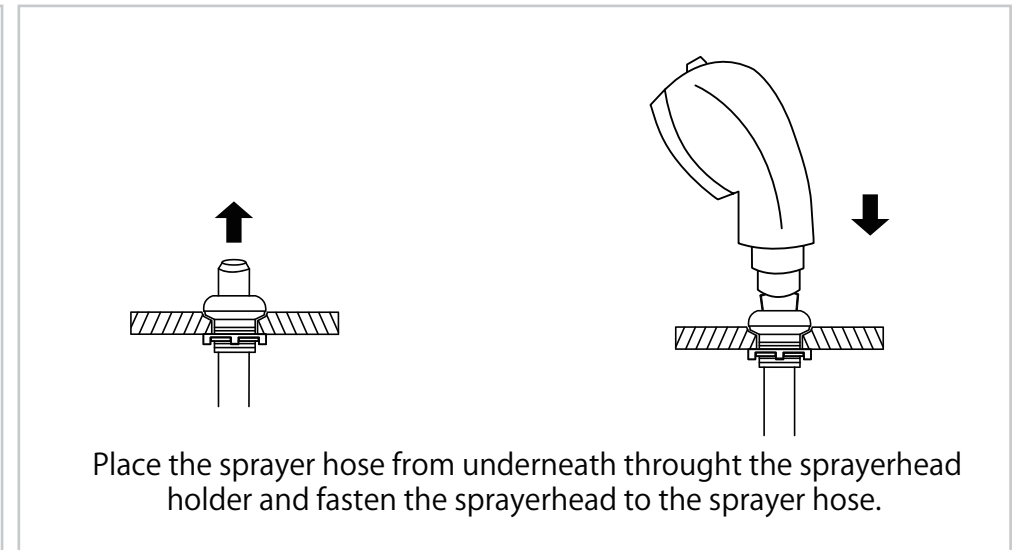
STEP 1



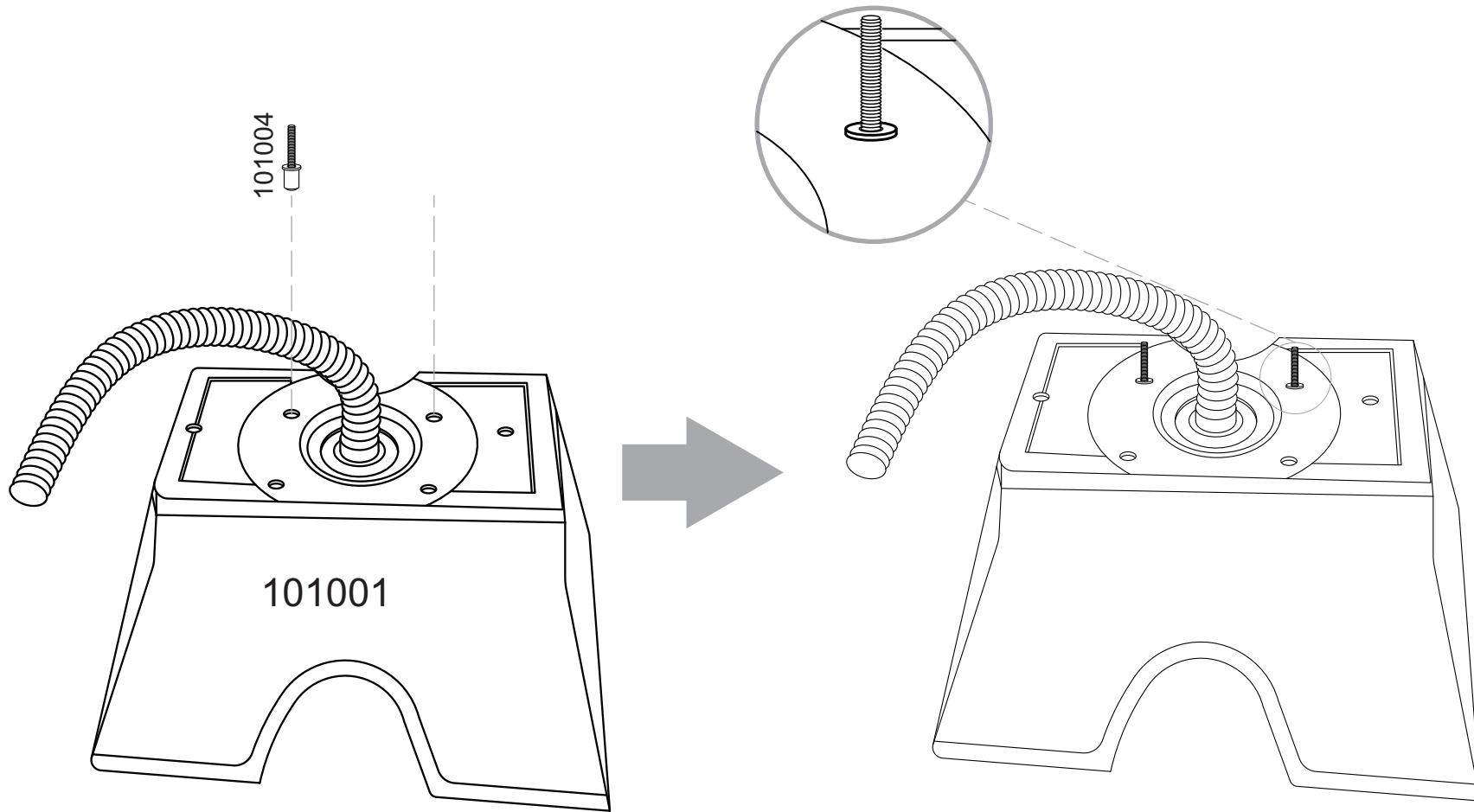
STEP 2

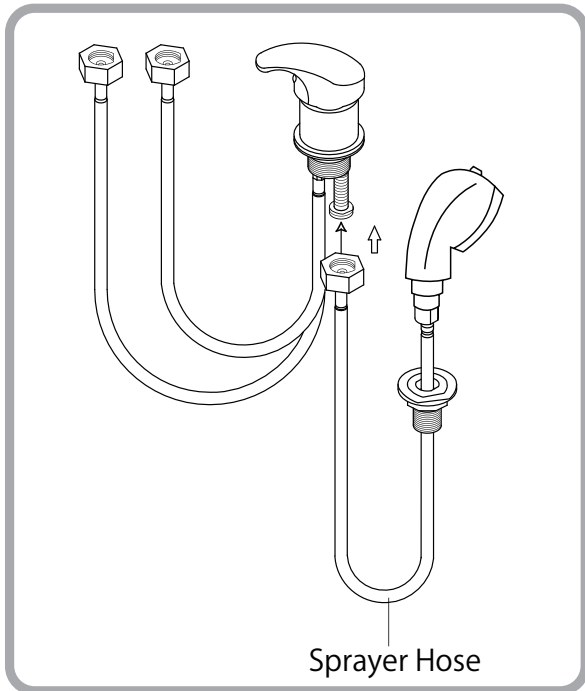


STEP 3



STEP 4

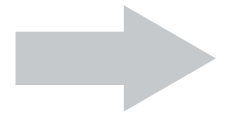
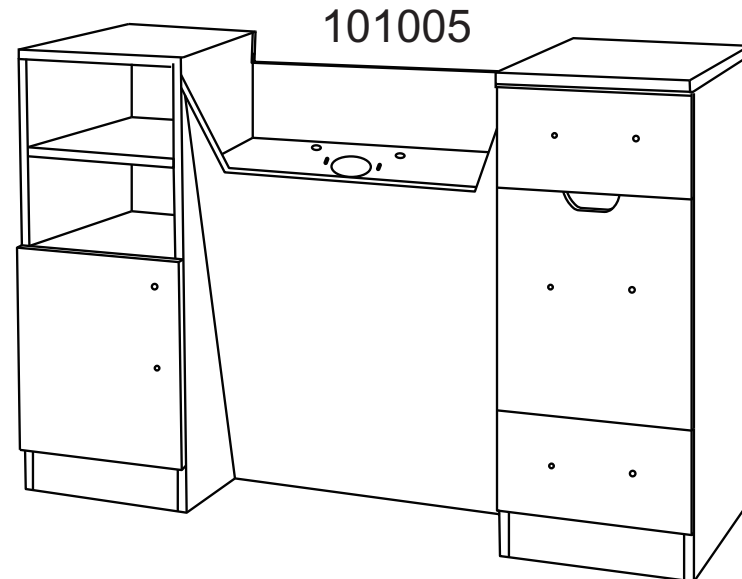
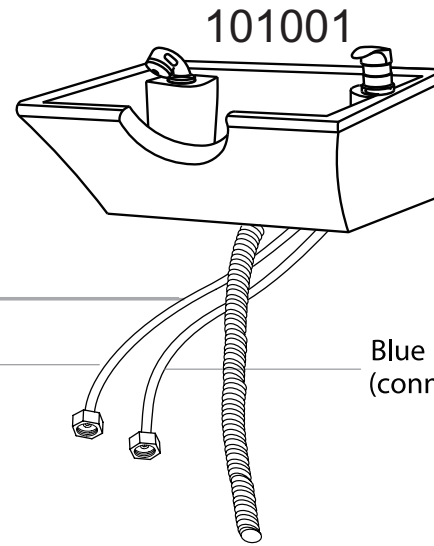




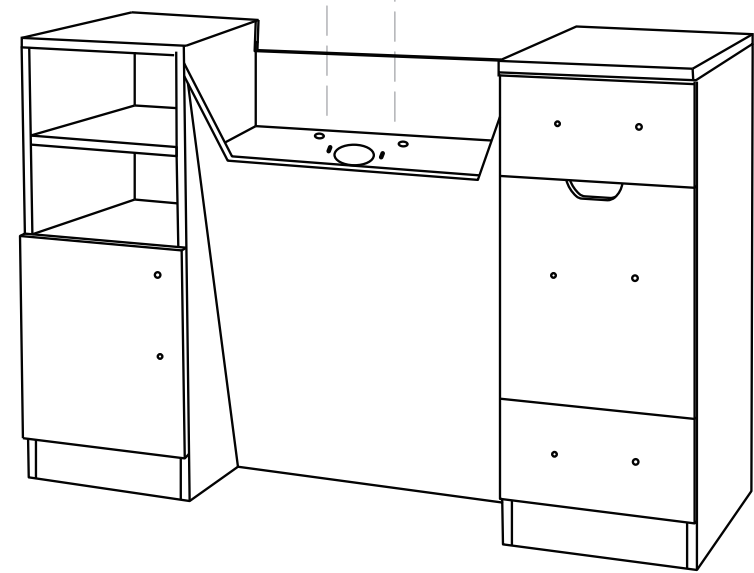
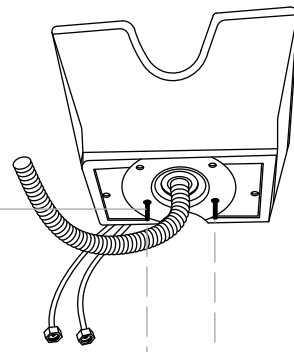
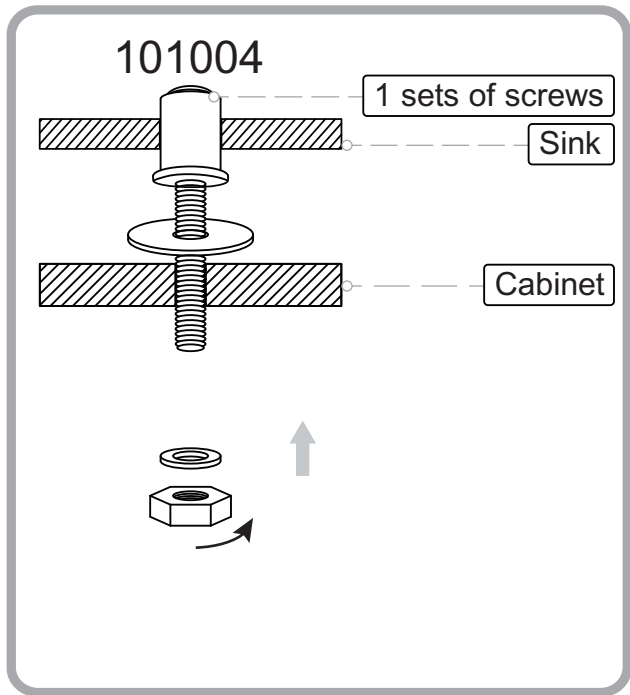
Connect to sprayer hose to the tap shown in the diagram.

Red water pipe  
(connect to hot water)

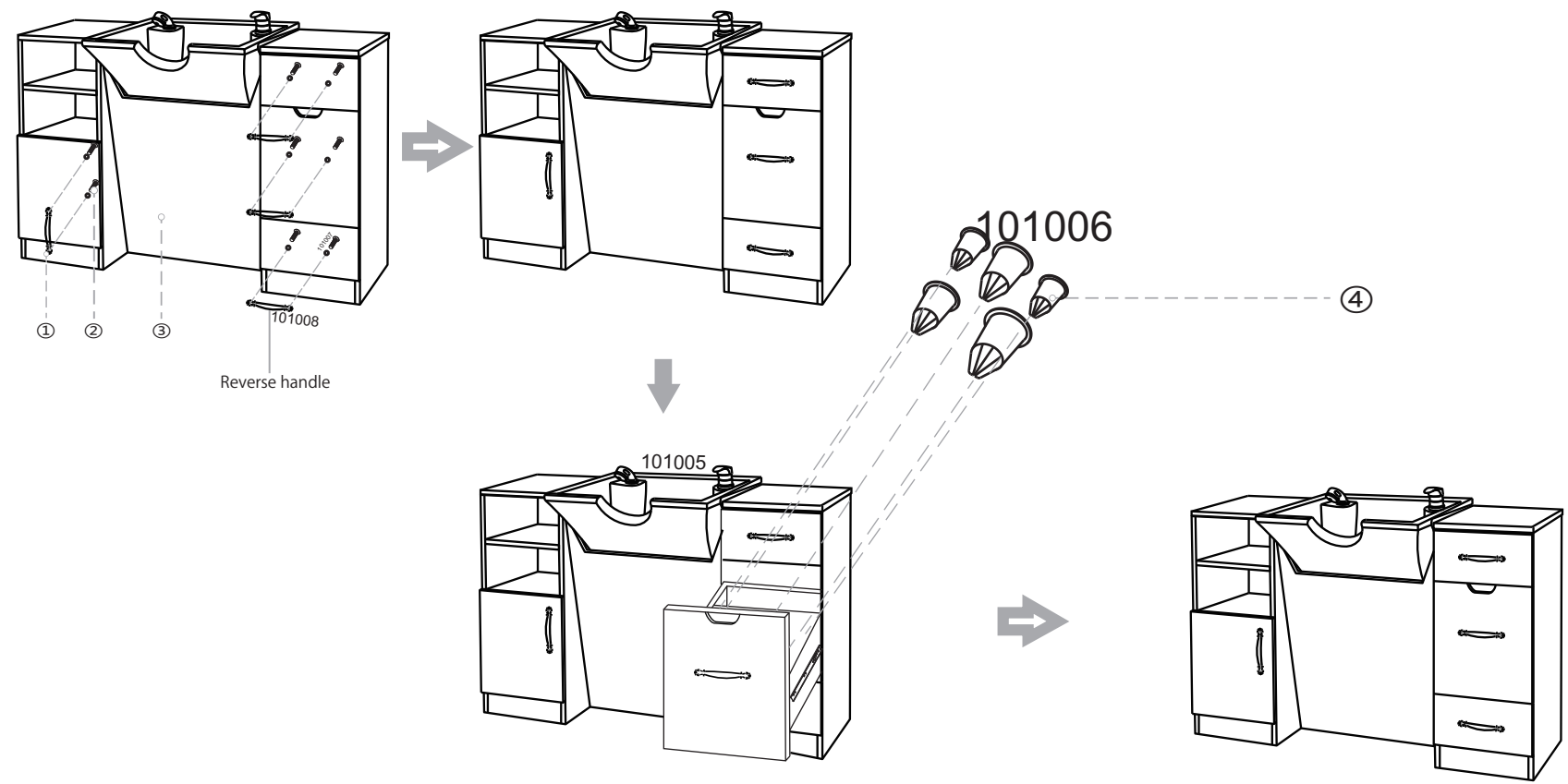
Blue water pipe  
(connect to cold water)



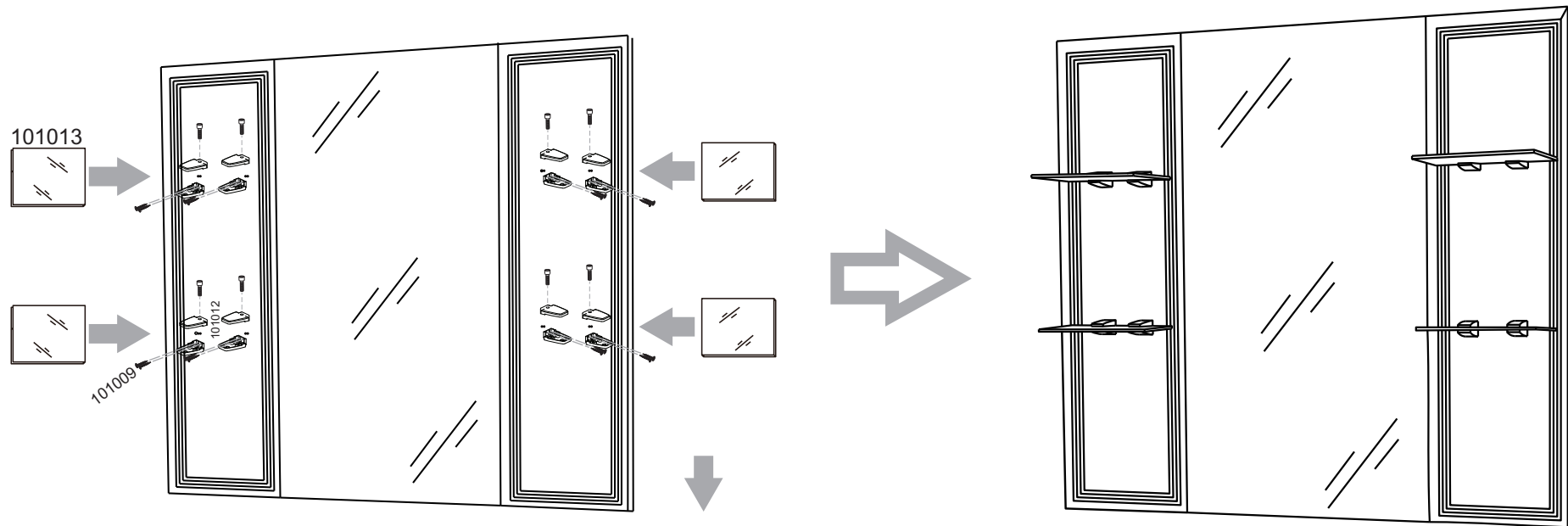


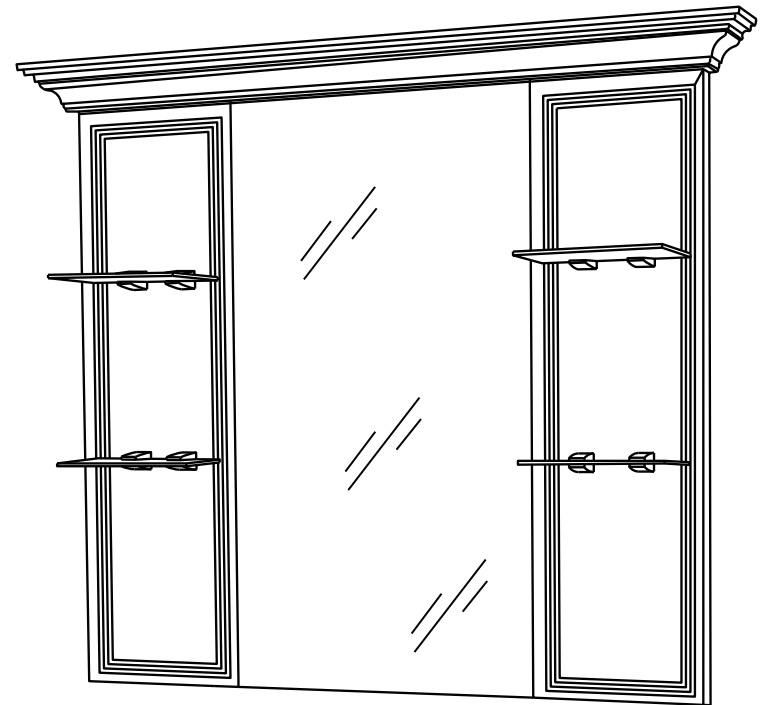
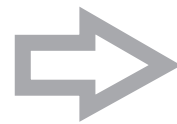
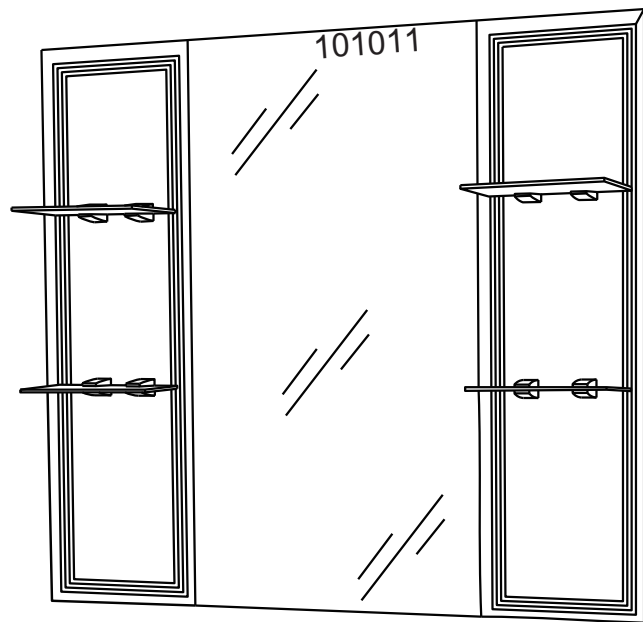
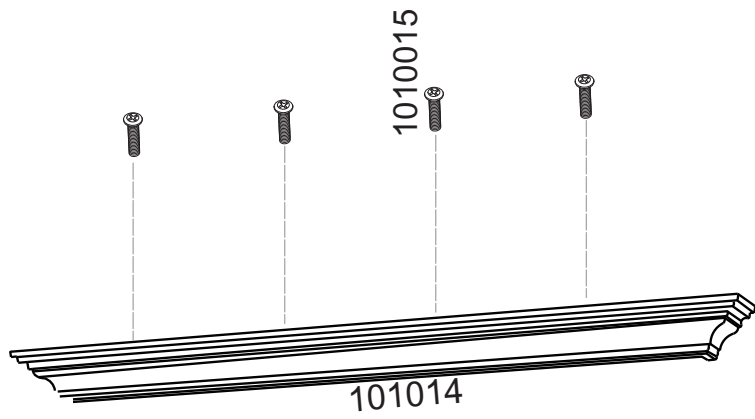


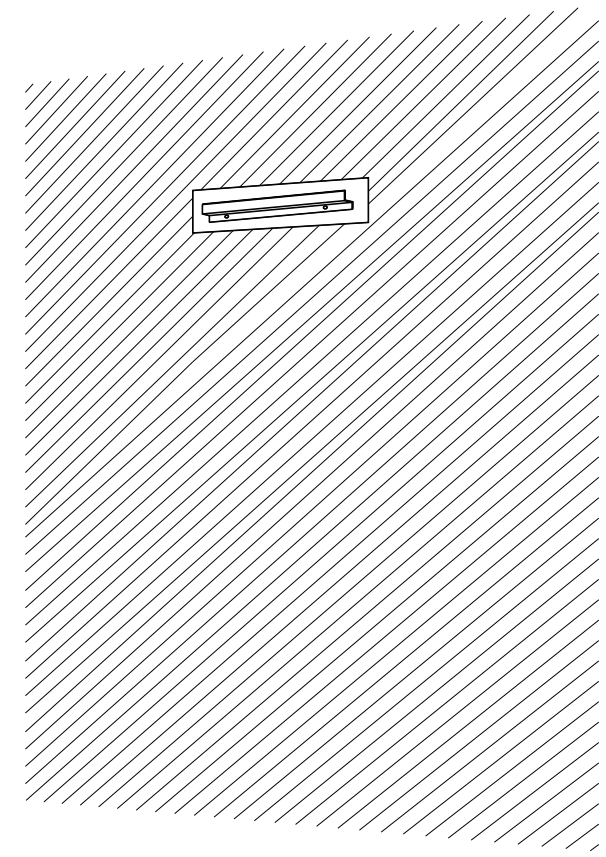
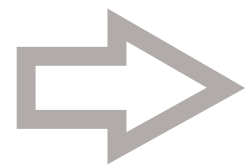
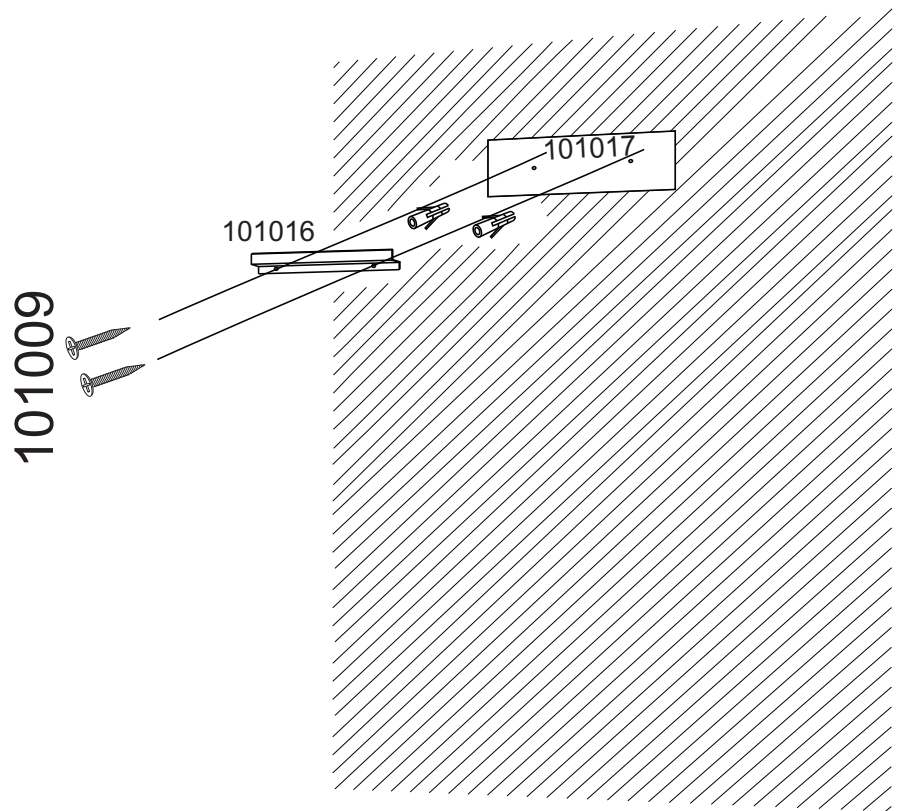
# Step 8

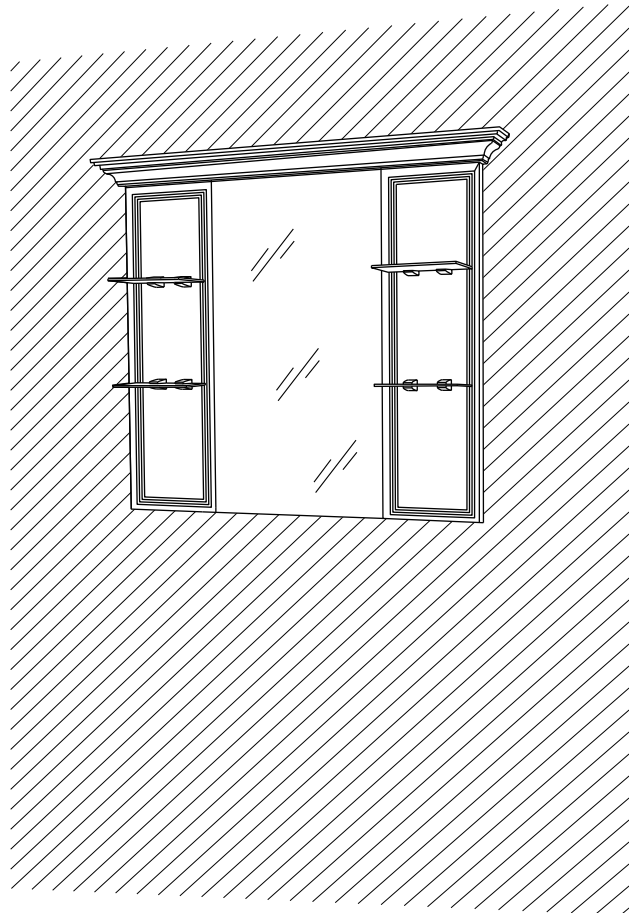
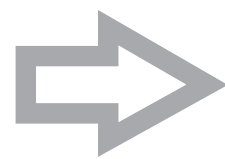
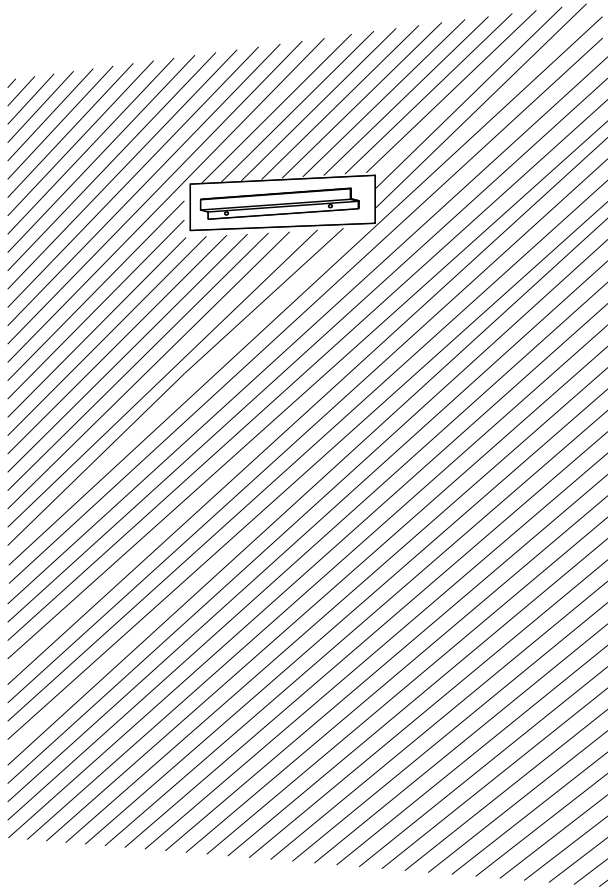
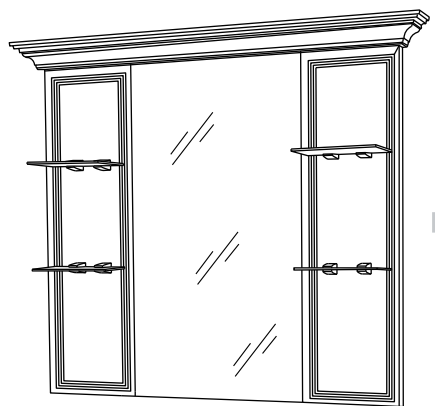


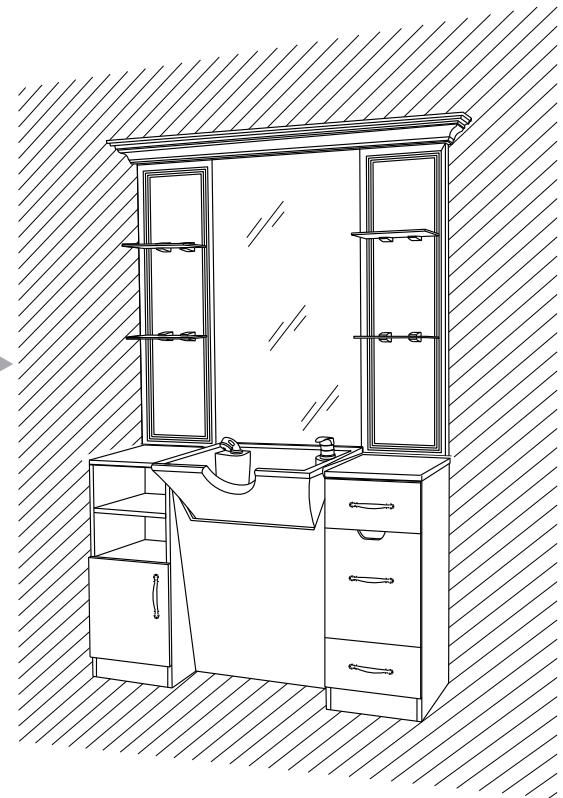
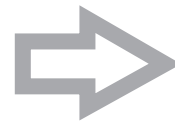
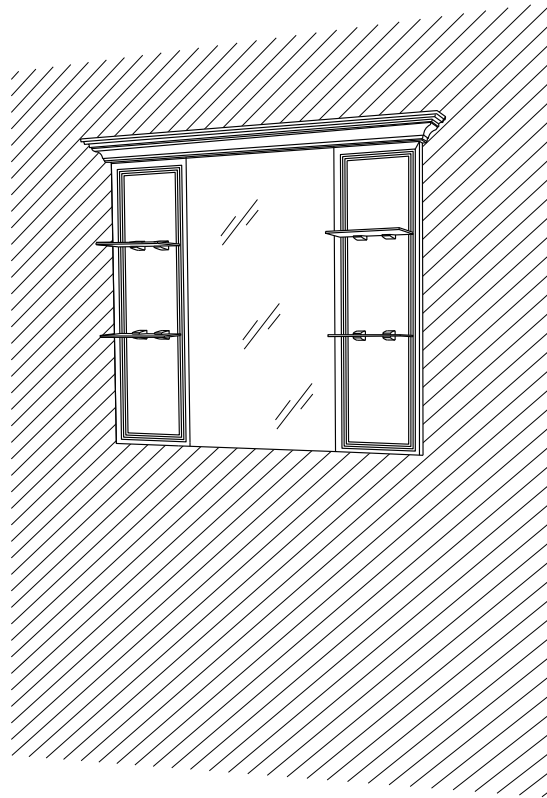
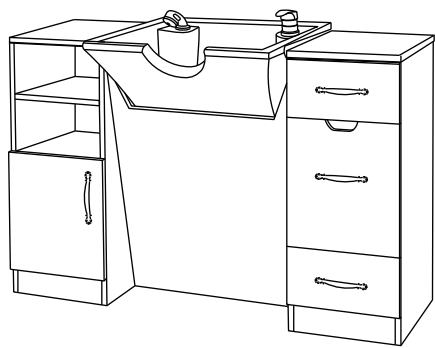
# Step 9





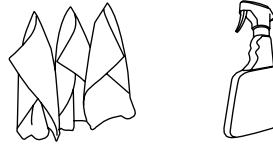




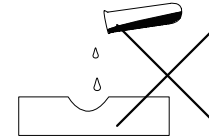




Brush away excess hair



Clean surface with damp cloth or use simple soap & water solution.



Avoid using corrosive cleaning agents such as bleaches.

Warranty

The warranty period is one year. DIR warrants to you, the original buyer, that goods shall be free of defects in material and/or workmanship attributable to manufacture for one year from date of receipt of product. Damage resulting from improper handling after merchandise is received, or from exposure to weather or extreme atmospheric conditions is not covered by the warranty. For any other information please contact our support team:

DIR BIRMINGHAM

66 Rea Street South  
Birmingham  
B5 6LB  
UK

Tel:  
+44(0)121 6434777

Email:  
dirsalon@gmail.com

DIR LONDON

Unit 1 River Road  
Business Park  
33 River Road, Barking  
Greater London  
IG11 0DA  
UK

Tel:  
+44(0)20 8591 9310

Email:  
dirsalon@gmail.com

DIR NEW YORK

575 Underhill Blvd.  
Suite 170  
Syosset, NY 11791  
USA

Tel:  
+1 (718)628-6668  
+1 (800)728-2008

Email:  
sales@dirsalonfurniture.com

DIR IRELAND

Unit 20, Goldenbridge Ind.  
Estate Tyrconnell Road  
Inchicore  
Dublin 8  
Republic of Ireland

Phone:  
+353 (1) 429 7969

Email:  
sales.ireland@dirgroup.ie