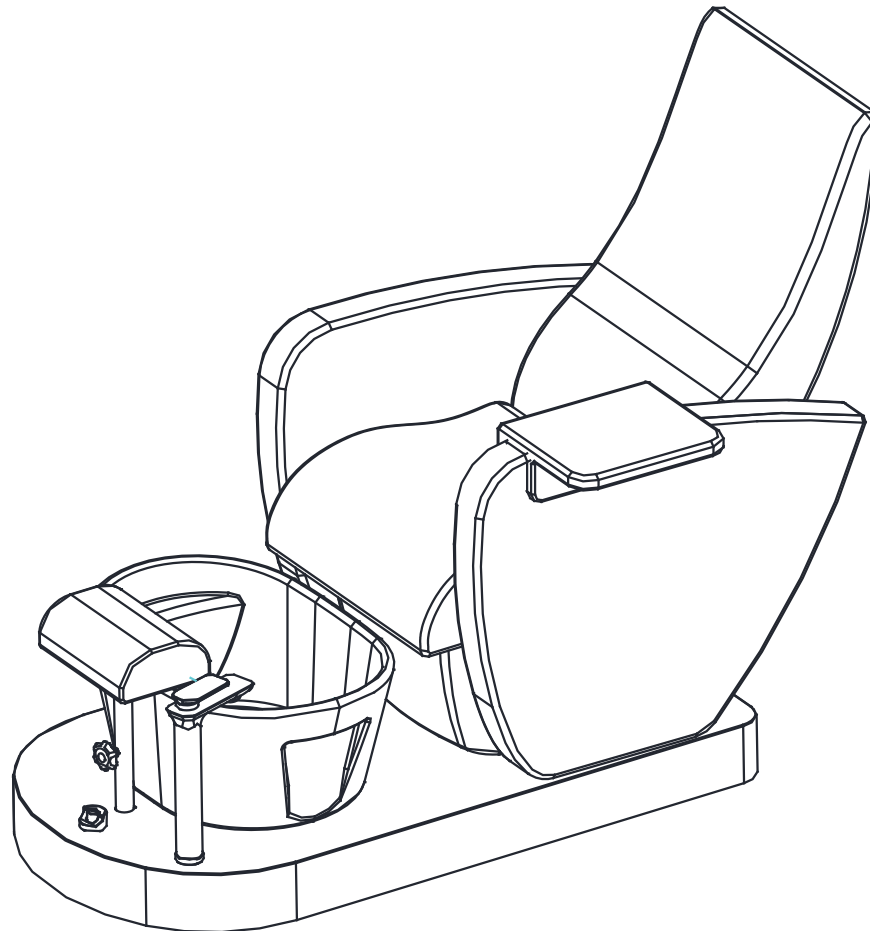


DIR[®]

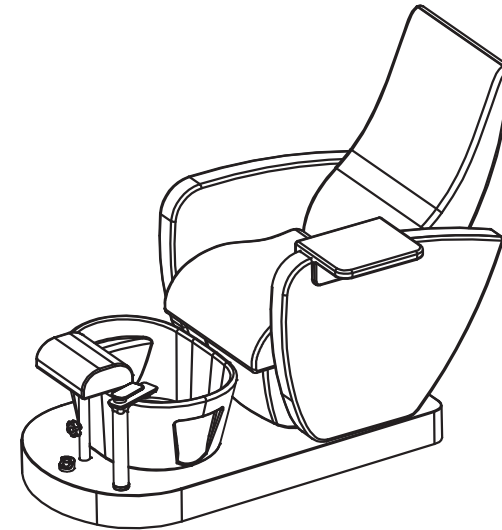
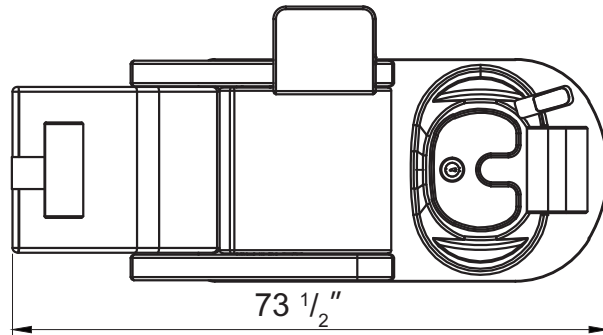
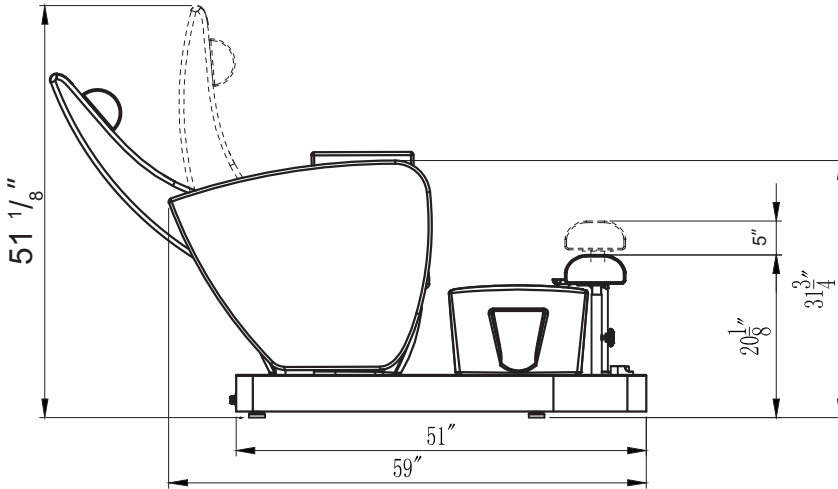
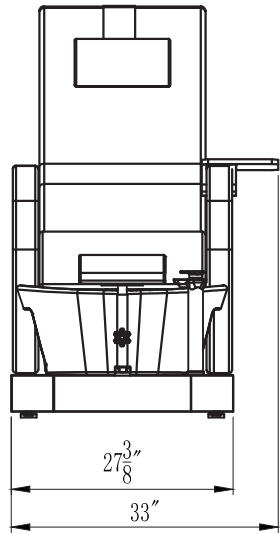
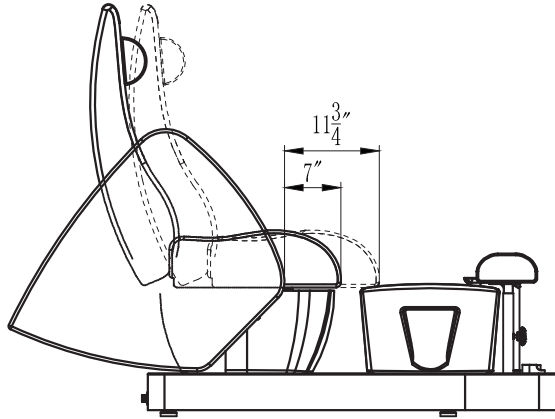
Relaxion

5016


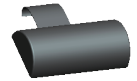
INSTRUCTION MANUAL



● Technical data:



Loading capacity	200kg
N.W	101kg
Leather	PU/PVC

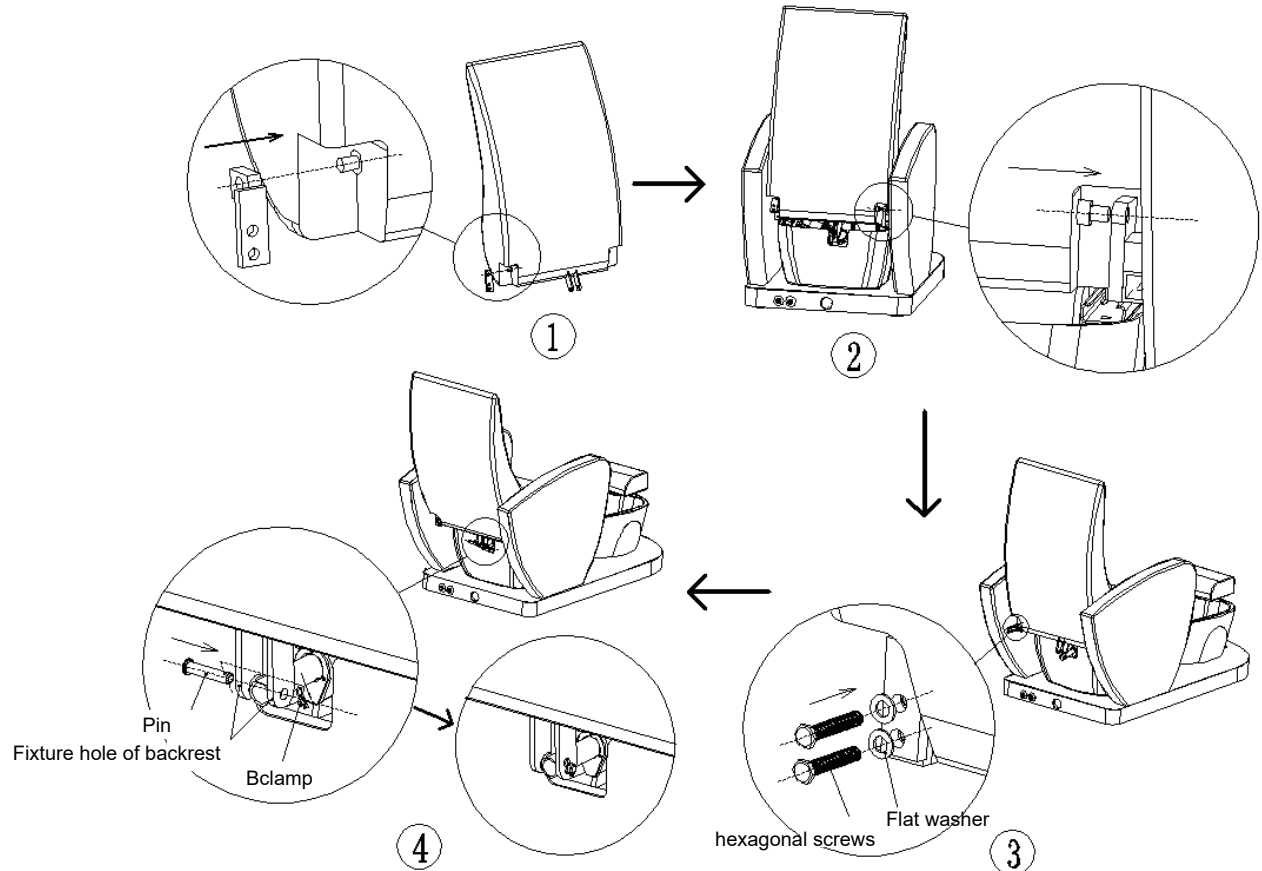
Part	Image	Qty
Handrail pillow		1 pcs
Hanging pillow		1 pcs

● Install Instruction:

1、Install the backrest :

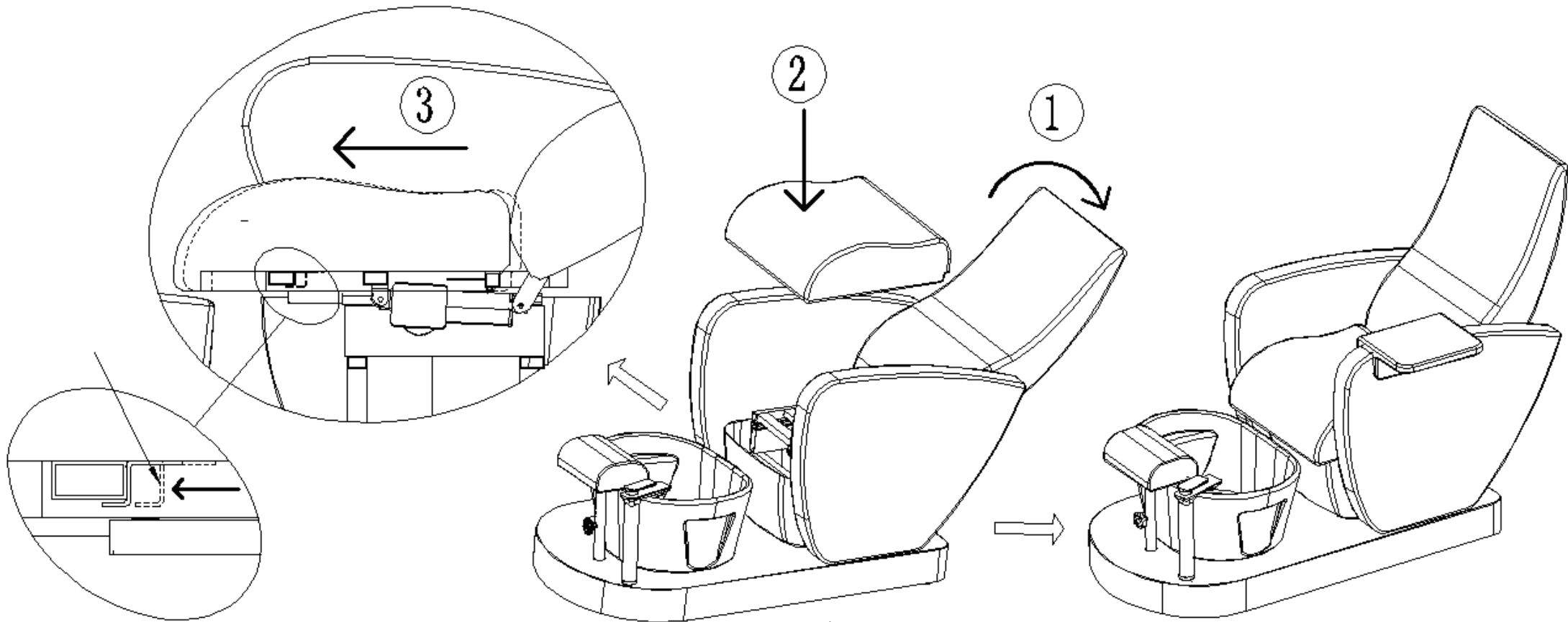
(1) First insert the backrest installation connector into the backrest left axle, as below① ; and then insert the axle to the right of the backrest into the pin washer , as below② ; then use hexagonal screws and flat washer to lock the backrest installation connector firmly , as below③ ;

(2)Installation of the backrest and the motor : as below④Align the mounting hole of the motor with the hole of the backrest immobilization connector, Insert the B clamp in turn to complete the installation.



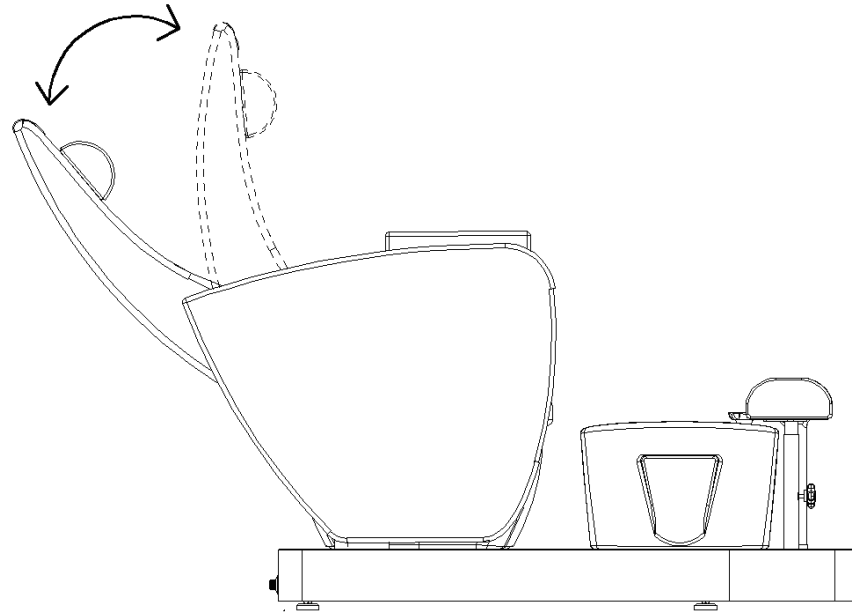
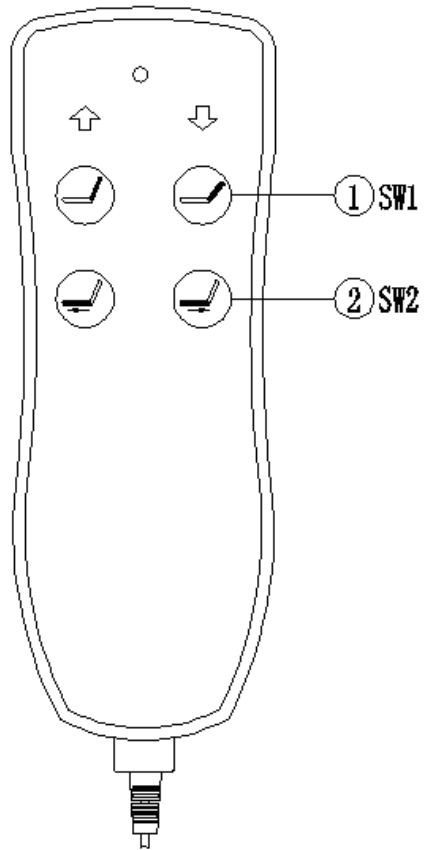
2. Installing the seat cushion:



First adjust the backrest to the maximum angle, then place the cushion, fasten the iron connector under the cushion to the seat frame.

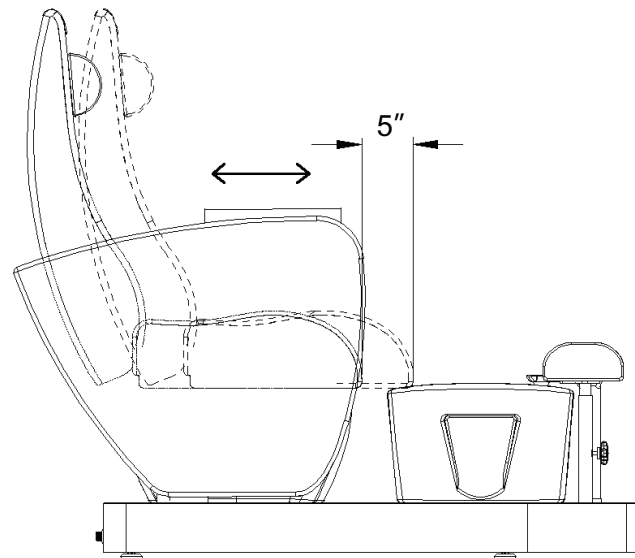


● Application method

1. Press button  or  , to control the incline of backrest, as below:

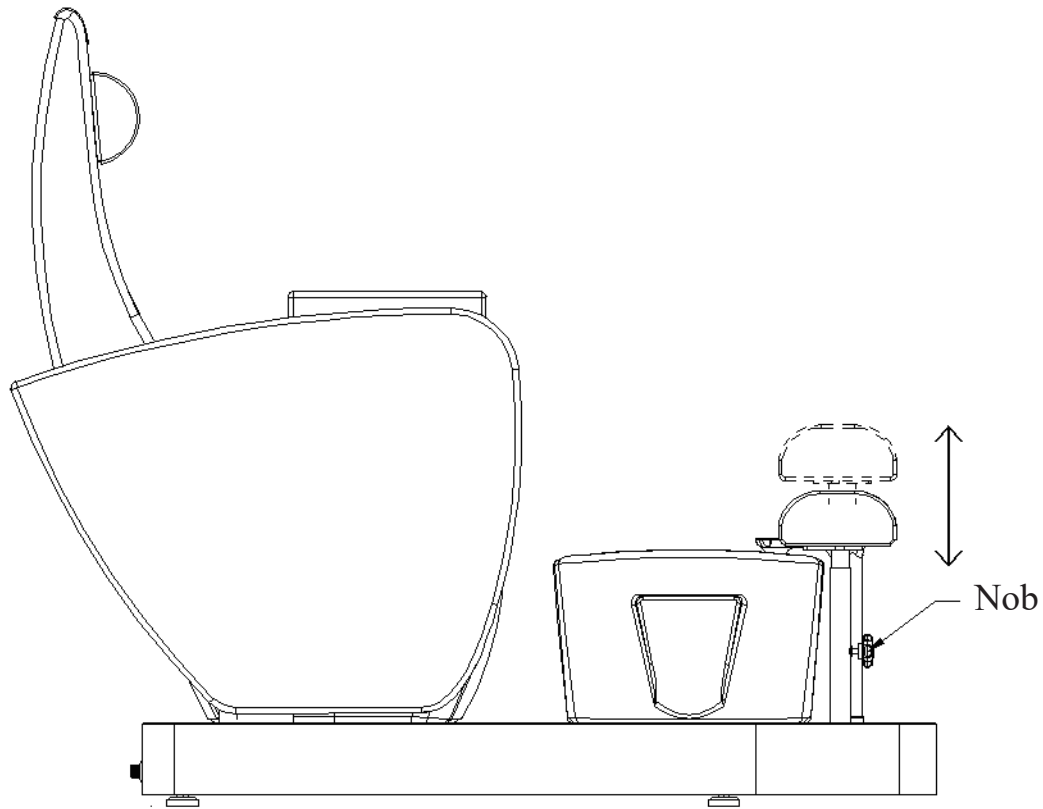


2. Press button  or  , to control the seat front and rear movement, as below:

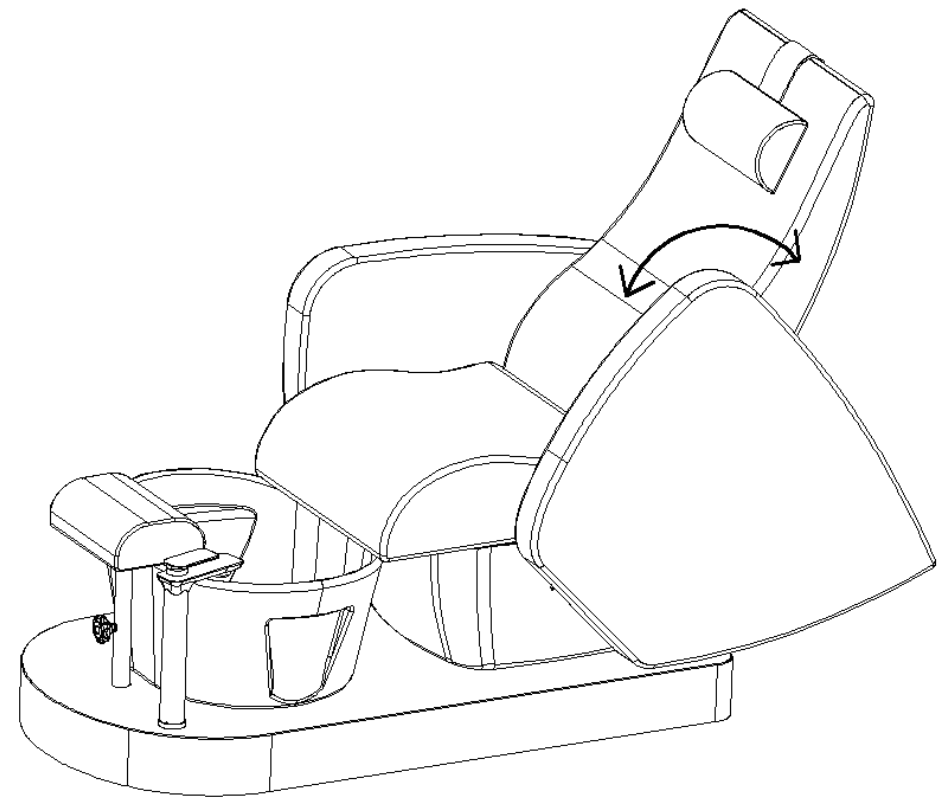


3.Height of footrest adjustment:

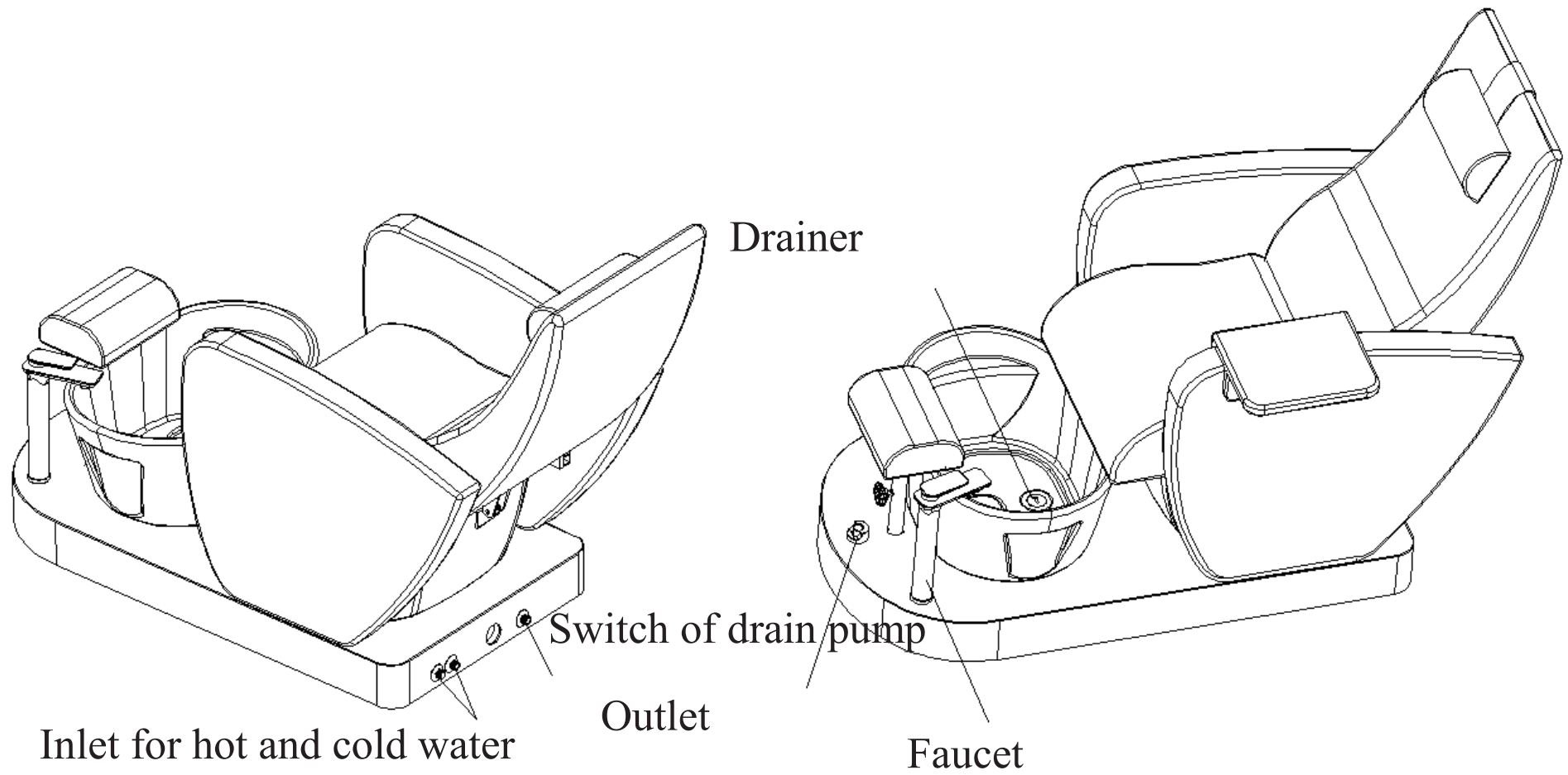
Loosen the nob on the foot cushion to adjust the height



4.Armrest adjustment: Left and right armrest could be open as below



●Fittings



The suggestive instructions

1. Drainer
2. Before connection, operation and adjust the bed, please read the user manual carefully.
3. This electric Spa Chair uses a three-wire power cable. Meanwhile it should be inserted into the three-hole outlet where there is a ground electrode. And it should be assured that it can be connected to the ground electrode smoothly so that it can prevent people from getting electric shock while functioning normally.
4. All the plugs, buttons and other components connected to the power cable must not dip in the water or other liquid.
5. It is forbidden to put your hands, feet, head or other part of the body into the gap (1 and 2 as below) while Spa Chair is running when you press the manual control panel or the foot control panel.
6. It is prohibited to use when plugs, buttons and other components connected to the power cable are broken.
7. It should be noticed that the frequency is 6min/h when the motor of this Spa Chair using.
8. The maintenance should not be dealt with without official training.

Attentions:

1. Someone with osteoporosis or heart problem should not use this Spa Chair.
2. Women being pregnant or in menstruation should not use this Spa Chair.
3. Someone injured or with disabilities should not use this Spa Chair.
4. Children under 14 years old without any supervision and someone unconscious should not use this Spa Chair.
5. Breakages of the power cable and plug should be eliminated before it's normally used. Breakages should be dealt with by someone professionals or service providers.
6. The voltage should accord with the safety voltage before it's officially used. And the wrong voltage may lead to the breakdown of the product.
7. Wet hand is not allowed to touch power to avoid shock.
8. The product should not plug in before it's already installed.
9. The power cable should be put away so that pedestrian will not trip up and fall.
10. The appearance of the product should be cleaned by the use of the soft towel with diluted neutral detergent.
11. It should be unplugged when it's not used.
12. Do not dismount this product without any authorization. Please inform the official service providers to deal with the maintenances

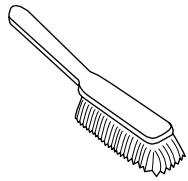
Maintenance:

1. Daily cleaning
You can wipe out the dust by using soft dry towel.
2. Eliminating the stubborn dirt
As we all know, it is hard to eliminate the stubborn dirt by using normal dry towel. In this case, you can use soft towel with diluted neutral detergent to clean it first. And then you can use dry towel to scrub.
3. It's prohibited to use benzene, diluent, gasoline or other solvent.
These solvents may damage the leather or it may cause the corrosion of the products' appearance.
4. Storage and operating environment
Don't put the product under the strong sunlight and moisture environment. Otherwise it may cause the damages of the product.
5. It is allowed to use this product under the temperature from -5°C to 50°C and the humidity from 45% to 85%.

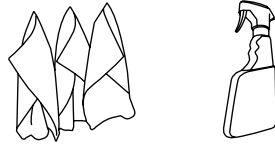
Phenomenon	Diagnosis	Operation of elimination
Press the pedal but without any responses.	<ol style="list-style-type: none"> 1. Controller power switch start or not. 2. To check if the pedal has reached to maximum. 3. To check if the power plug is connected. 4. To check if each connecting plug of the transformer is connected. 	<ol style="list-style-type: none"> 1. Try to re-start the controller power switch. 2. Try other buttons workable or not. 3. Disconnect the power plug and re-plug it again. 4. Re-plug and connect it again.
Letting out noises and shaking while going up and down	Screw loosen	Tighten all the screws
The light is still off although the switch is on.	The fuse has burned out.	Replace the fuse.

Remarks: It will be not informed if the improvements of the product do not influence appearance and function.

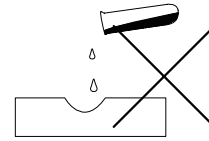
Product care



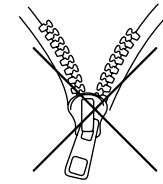
Brush away excess hair



Clean surface with damp cloth or use simple soap & water solution.



Avoid using corrosive cleaning agents such as bleaches.



Do not remove upholstery for cleaning

Warranty

The warranty period is one year. DIR warrants to you, the original buyer, that goods shall be free of defects in material and/or workmanship attributable to manufacture for one year from date of receipt of product. Damage resulting from improper handling after merchandise is received, or from exposure to weather or extreme atmospheric conditions is not covered by the warranty. For any other information please contact our support team:

DIR BIRMINGHAM

66 Rea Street South
Birmingham
B5 6LB
UK

Tel:
+44(0)121 6434777

Email:
dirsalon@gmail.com

DIR LONDON

Unit 1 River Road
Business Park
33 River Road, Barking
Greater London
IG11 0DA
UK

Tel:
+44(0)20 8591 9310

Email:
dirsalon@gmail.com

DIR NEW YORK

575 Underhill Blvd.
Suite 170
Syosset, NY 11791
USA

Tel:
+1 (718)628-6668
+1 (800)728-2008

Email:
sales@dirsalonfurniture.com

DIR IRELAND

Unit 20, Goldenbridge Ind.
Estate Tyrconnell Road
Inchicore
Dublin 8
Republic of Ireland

Phone:
+353 (1) 429 7969

Email:
sales.ireland@dirgroup.ie