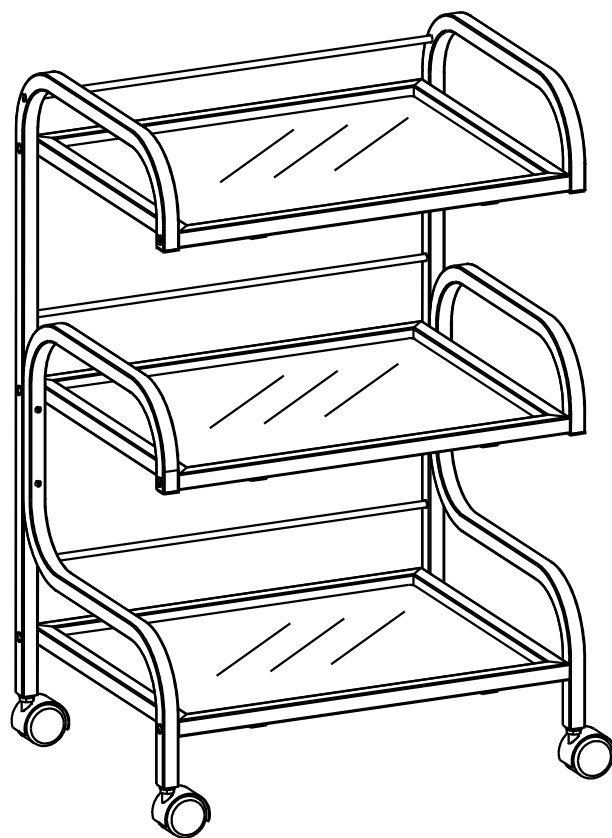


DIR[®]

Damien

5014YH

INSTRUCTION MANUAL



1. About This Manual

This manual shall only be used for the reference of operation of this particular model. If the manual is used for other purposes, we will not undertake any according consequences and responsibility. All information of this manual shall be protected by copyright and shall not be copied and translated in any part of this specification without the written consent of manufacturer.

2. Warning

- Do not stand on the product.
- Do not allow children play with the product.
- Do not place the equipment in damp places such as bathroom, do not expose to direct sunlight.
- Do not use this product in the places where you are painting/spraying paints or producing oxygen.
- People with physical impairment, tactile impairment, mental impairment, lack of experience, common sense, or children are not allowed to use this product, unless the person responsible for their personal safety is present to monitor and guide them.

3. Precautions

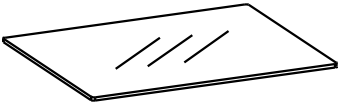







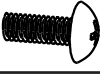
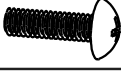

- Operators should use this product in strict accordance with the instructions, and save this manual for future reference.
- Comply with safe operating procedures, do not overload. Make sure the components of the product are in good condition, secure installation eliminate the unsafe factors.
- Please daily check and tighten the casters, drawers, metal frames and screws to prevent from any failure or issue due to loosen part.
- This product must not be used under faults. When abnormal phenomena or abnormal sounds are found, please check about it immediately. Use after problem solved.
- Operator should be familiar with the precautions described in each chapter of the product manual to ensure personal and product safety.
- Please place the equipment on a level ground.
- Please clean the glass, metal and plastic part with neutral solution.
- After each treatment, use a neutral reagent to remove the dust and stains on the leather and wood.

4. Assembly and Operation

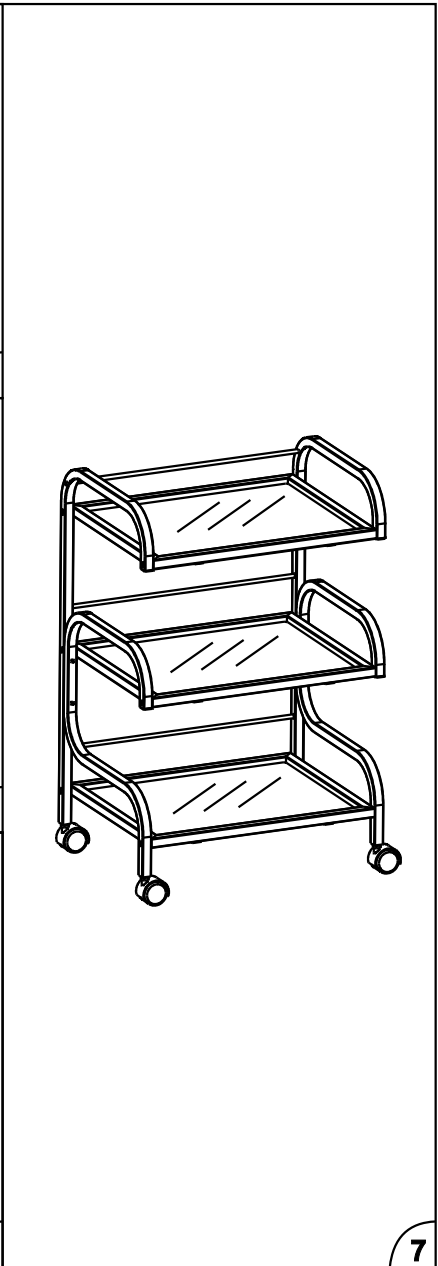
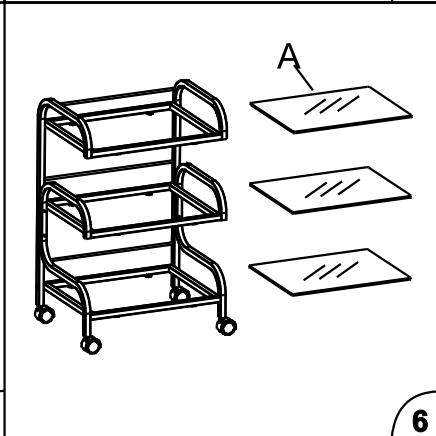
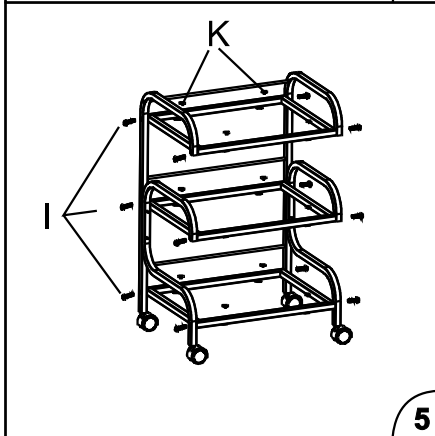
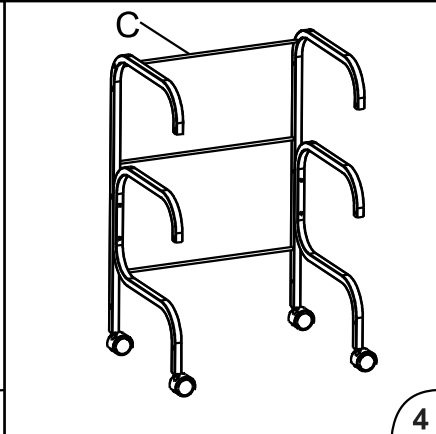
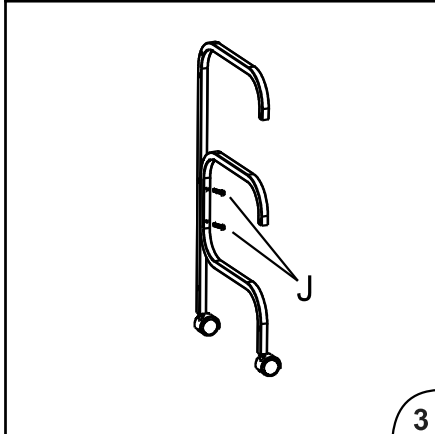
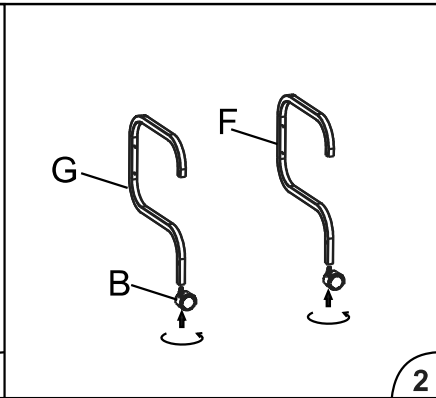
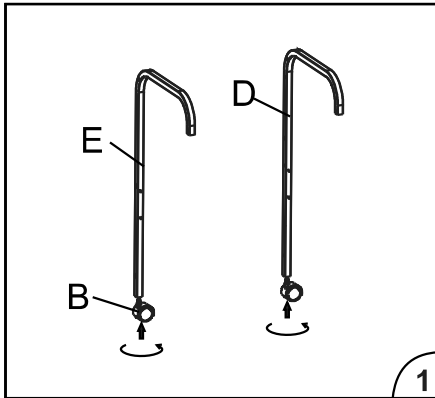
1. Put the product to a proper location, according to the overall layout, the daylighting or artificial lightings and operation condition of the working environment. And keep it in the clean, dry and cool environment.
2. Open the packing carton to check if the bed is intact and whether the accessories or spares are complete. Please contact distributor or us if there's any problem.
3. Installation

This product graphic is only for display, the specific product structure please refer to the actual product.

Component

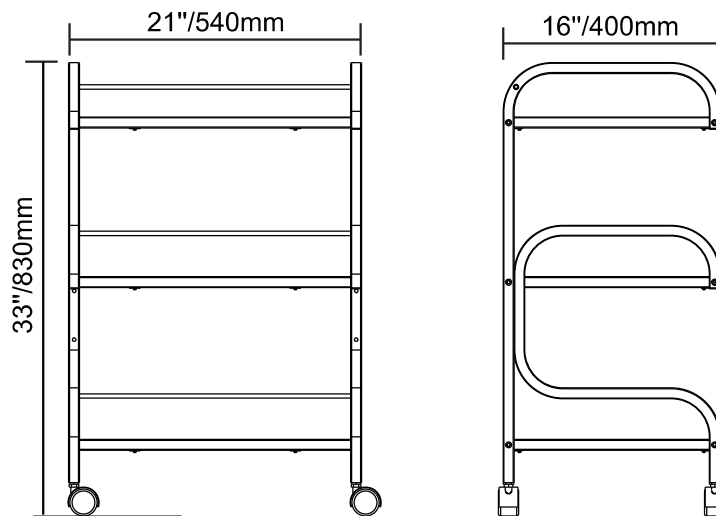
NO.	Name	Sample	Quantity
A	Glass		3
B	Wheel		4
C	Baluster		3
D	Metal frame for left-1		1
E	Metal frame for right-1		1
F	Metal frame for left-2		1
G	Metal frame for right-2		1
H	Accessories-1		3
I	Screw (M6×20)		13
J	Screw (M6×35)		5
K	PVC Tray		13

Installation procedure



5. Technical Parameters

	USA	UK
Lifting Rated Load	66 lbs	30 kg
Package Size	33×17×6 inch	850×440×140mm
Net Weight	30 lbs	13.5 kg
Gross Weight	32 lbs	14.5 kg



6. Maintenance

If there is grease, please wipe the surface with clean water and neutral reagent, and use a soft cloth to remove dust and stains. It is forbidden to use alcohol, strong acid, strong alkali and other solvents to prevent premature deterioration of plastic parts.

7. Troubleshooting

Not working properly	Casters cannot rotate or move.	Replace the caster.
----------------------	--------------------------------	---------------------

If problem is still not solved after above operation, please contact maintenance center or supplier to solve it.

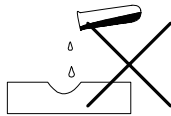
8. Product care



Brush away excess hair.



Clean surface with damp cloth or use simple soap & water solution.



Avoid using corrosive cleaning agents such as bleaches.



Do not remove upholstery for cleaning.

9. Warranty

The warranty period is one year. DIR warrants to you, the original buyer, that goods shall be free of defects in material and/or workmanship attributable to manufacture for one year from date of its receipt of product. Damage resulting from improper handling after merchandise is received, or from exposure to weather or extreme atmospheric conditions is not covered by the warranty.

For any other information please contact our support team:

DIR BIRMINGHAM

66 Rea Street South
Birmingham
B5 6LB
UK

Tel:
+44(0)121 6434777

Email:
dirlsalon@gmail.com

DIR LONDON

Unit 1 River Road
Business Park
33 River Road, Barking
Greater London
IG11 0DA
UK

Tel:
+44(0)20 8591 9310

Email:
dirlsalon@gmail.com

DIR NEW YORK

575 Underhill Blvd.
Suite 170
Syosset, NY 11791
USA

Tel:
+1 (718)628-6668
+1 (800)728-2008

Email:
sales@dirlsalonfurniture.com

DIR IRELAND

Unit 20, Goldenbridge Ind.
Estate Tyrconnell Road
Inchicore
Dublin 8
Republic of Ireland

Phone:
+353 (1) 429 7969

Email:
sales.ireland@dirgroup.ie

▲ Please check the product specification before use. This manual is for reference only. Specifications are subject to change without prior notice.