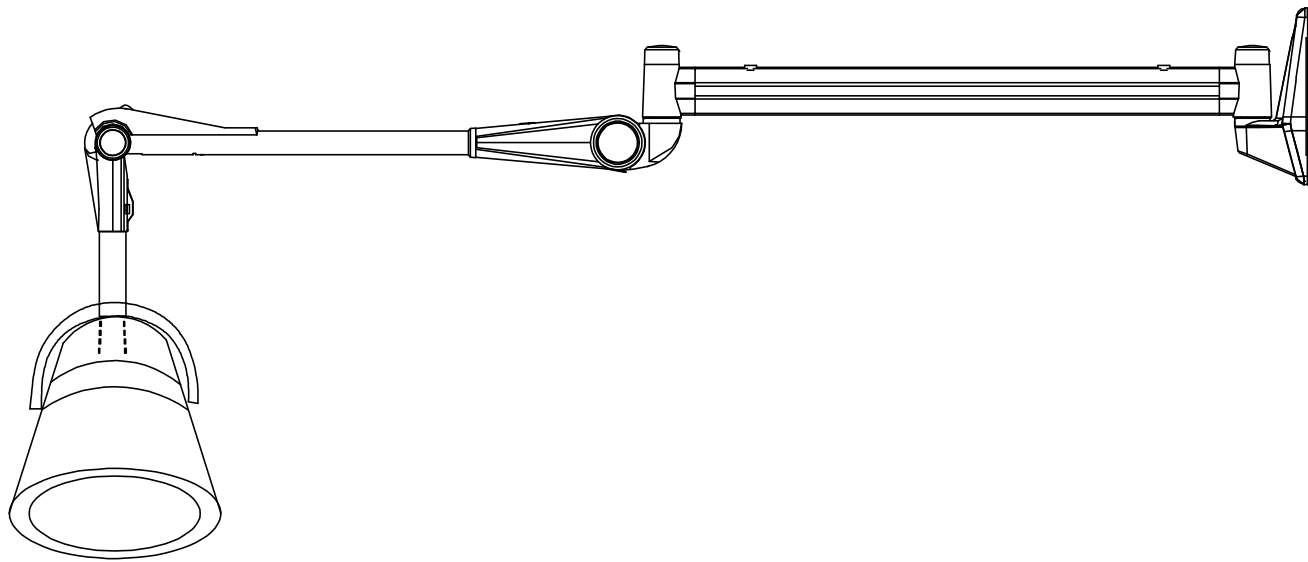


DIR[®]

Orion Wall Mounted

H136WM

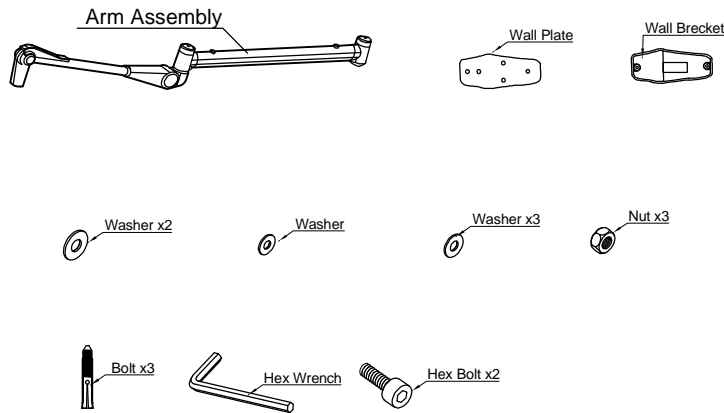
INSTRUCTION MANUAL



1 PRE-INSTALLATION

1-1 OBSERVE THE CARTON OUTSIDE Please check whether the weight capacity of the carton is in accordance with the net weight nominal of the head assembly, if the nominal is in accordance with the weight capacity, then you can enter into the next installation.

1-2 SPARE PARTS (Please see the below pictures) Open the carton. Check the arm assembly and see whether it is damaged. The spare parts are complete or not, please see the below pictures. (Remark: The wall plate and wall bracket are attached together with bolts before the factory delivers the machine.)



2 INSTALLATION OF WALL BRACKET

2-1. Installation of Wall Mount Arm Before Installation

1. Wall

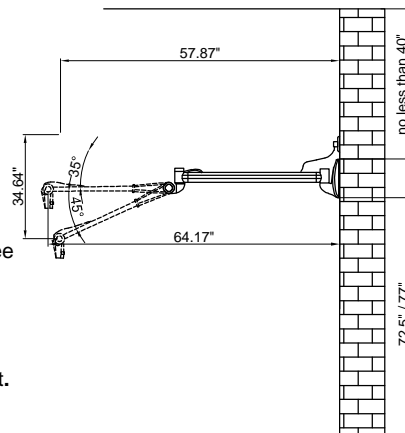
The wall must be strong enough to support the arm assembly.

2. Height

The recommended height of the wall bracket is 72.5/77 inches from the floor to the bottom of the bracket (see diagram).

3. Electric Source

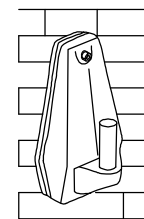
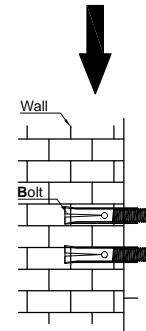
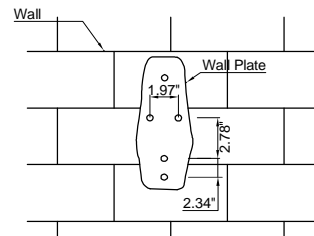
An electrical power outlet must be prepared on the wall within 48 inches distance from the wall bracket.



2-2. The wall plate and wall bracket are already attached together with bolts upon delivery. (See diagram)

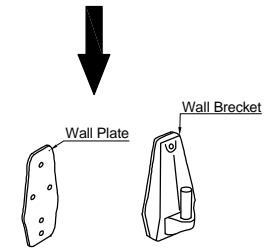
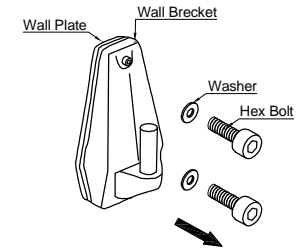


2-4. Use the wall plate as a template and drill three holes on the wall (please refer to diagram for the correct drill positioning). The size and depth of the holes will be in accordance with the bolts supplied.

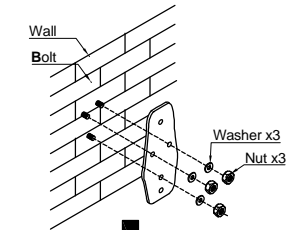


Caution! As the wall plate and wall bracket are subject to a large load, please make sure that the wall plate is installed correctly and securely. Do not remove stopper on arm until the machine head is correctly installed. The arm assembly is spring loaded and could cause damage to equipment and customers if not handled correctly.

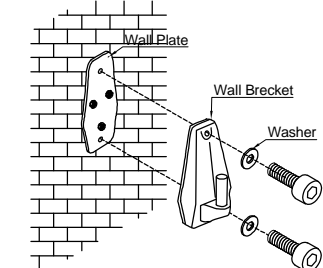
2-3. With the supplied spanner, loosen the bolts and remove the wall plate



2-5. Attach the wall bracket to the wall with the bolts, and then fix with the supplied washers.



2-6 Attach the wall bracket to the wall plate, and then tighten with bolts.

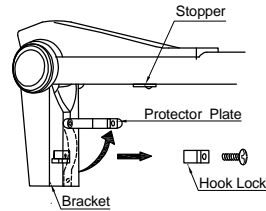


3 INSTALLATION OF MACHINE HEAD

CAUTION:DO NOT REMOVE STOPPER on Arm until machine head is completely installed. Arm assembly is spring loaded and could cause equipment damage and / or injury if not handled in proper manner.

For both the arm assembly and the machine head are fairly heavy, it is suggested that the installation is done by two persons together as instructed in the following steps.

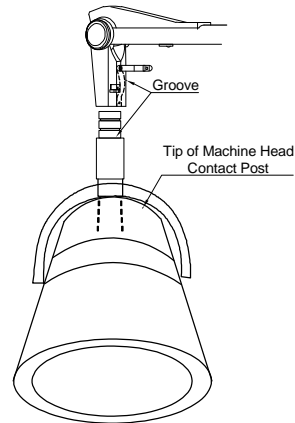
3-1 Remove the screw at the protector plate underside and rotate the protector plate anti-clockwise till it is vertical. Remove the hook lock after loosening the screw.



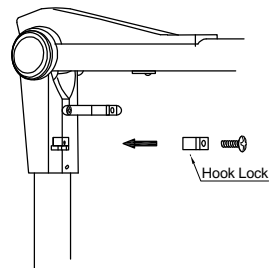
3-2 Stand the machine head on the floor and keep it upright with two hands. Another person holds up the arm assembly and then inserts the tip of the arm into the machine head contact post.

Note one: Please make sure to insert the machine head contact post firmly. The tip of the arm assembly must be vertical adown. You may also turn the tip of the arm assembly left or right slightly and press the tip of the arm assembly slightly.

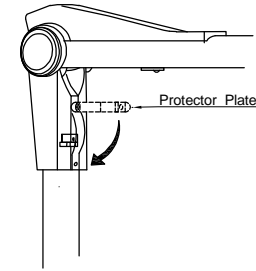
Note two: The tip of the arm assembly must be in osculated completely with the head contact post. Please pay more attention to the groove of the bracket, if you can see the groove of the machine head contact post through the groove of the bracket, it shows the installation position is correct.



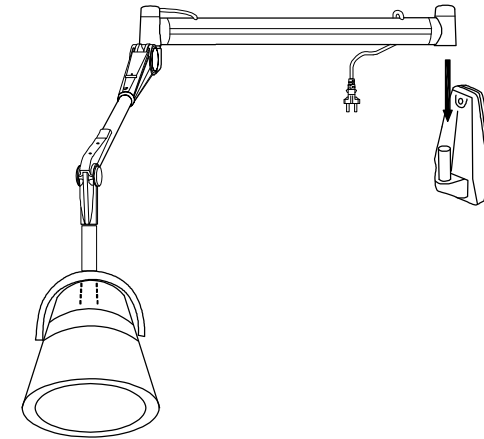
3-3 Reinstall back the hook lock to the groove and then tighten the screw firmly.



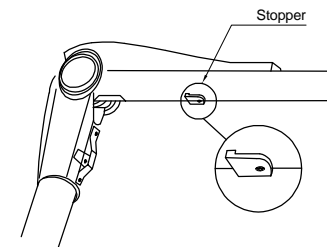
3-4 Turn the protector plate clockwise back to the original position and then tighten the screw firmly.



3-5 Two persons hold up the machine head and the arm assembly at the same time, then install on the wall.



3-6 Remove the stopper, otherwise it will damage the arm assembly!



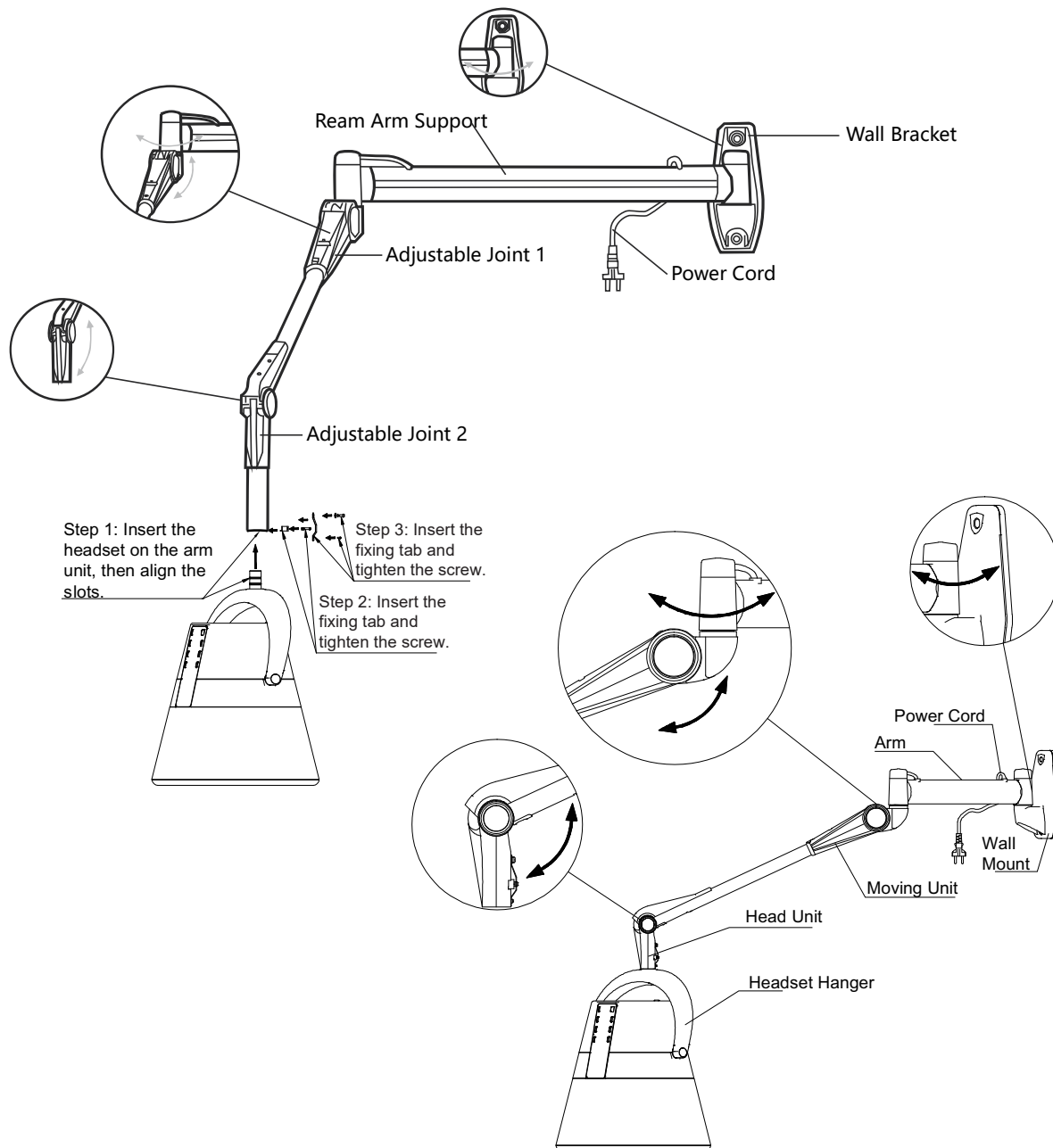
Adjustment of Arm Assembly

1 After finishing the installation, hold the machine body with two hands and move up and down to adjust the height position as you require. Please operate with care avoiding ceilings, furniture etc. In order to protect the arms, it is suggested not to remove the cover off the arms and not to rotate the adjusting bolt.

2 Before the manufacturer delivers the product the strength of the arm spring has been adjusted. Please load the correct weight as shown on the arm assembly.

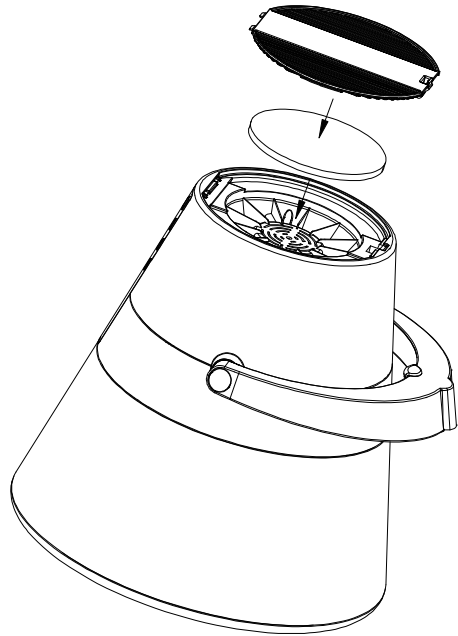
CARE INSTRUCTIONS

1. The inner cap can get dirty easily, please clean regularly. Chemicals such as hair dyes can cause dysfunction.
2. Wipe clean with a soft, dry cloth when cleaning. If water splashes on the panel, immediately wipe it off with a dry cloth, otherwise the machine will malfunction.



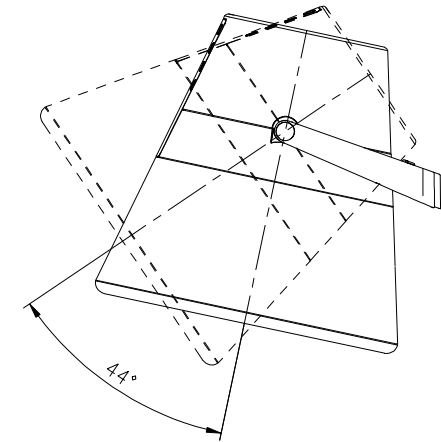
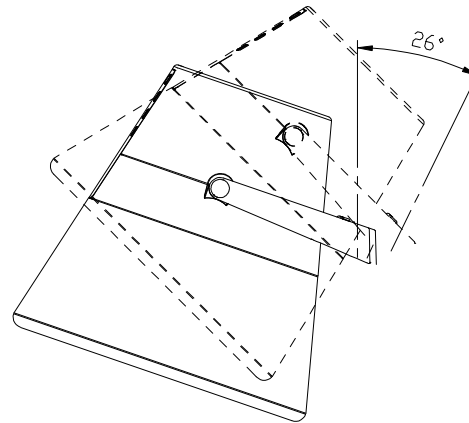
FILTER INSTALLATION

1. Before starting the machine, check if the filter cotton is installed. If not, please do not use it. Report to the manufacturer or seller.
2. Filter cotton should be cleaned regularly.



OPERATING INSTRUCTIONS

1. Assembled the machine as shown in the installation instructions.
2. Make sure that the voltage used is the same as the rated voltage of the product.
3. To achieve the best comfort, helmet can be adjusted to different angles, as shown below :



4. Press the main power switch:

- When working program is ready, initial mode: time display 25 minutes; temperature display: sixth gear; the wind speed: first gear; the ion mode is off.
- If the customer defaults to the initial mode, press the start/stop button to start the machine; customer needs to adjust the working time, press the time to increase the key; adjust the working temperature, press the "Temperature adjustment button -" to lower the temperature. File; each time you press the "Temperature adjustment button + " to raise a temperature level. ;

5. When machine is running

- Machine warm up time 2 mins, light stops flashing after 2 mins. The indicator light on the headset will turn on.
- After 2 mins, the machine will be on working mode, the time display shows the remaining time.
- When remaining time shows 10 mins, the indicator light will light up green.

- When remaining time shows 1 min, the indicator light on the headset will indicate red and green lights at the same time. And it does not generate heat and send air. Apart from the main power switch, all keys will be locked.

6. Change the working program during operation

- Time, temperature, and wind speed can be changed during operation.

7. End of work mode

- After the work is finished, the time display becomes " 0" , the time electronic alarm beep 3 times, and the indicator light on the headset will light up in green.

TECHNICAL PARAMETERS

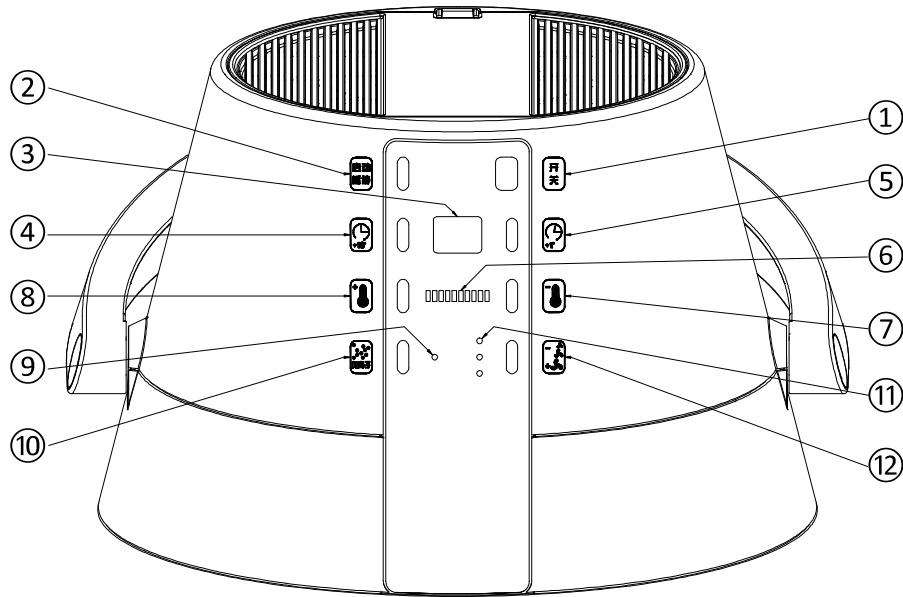
110-120V ~ 50/60HZ 1000W

220-240V ~ 50/60HZ 1000W

READ THE INSTRUCTIONS BEFORE USING THE MACHINE

1. Ensure the correct voltage is been used on the product.
2. Operating environment: room temperature between 5°C to 25°C; no more than 95% relative humidity.
3. Do not insert metal objects into the machine to ensure user safety.
4. Do not use in flammable gases, objects and similar environments to avoid electric shock.
5. After the power is turned on, if abnormal conditions are found, please send it to the maintenance department or find a professional to repair it. Do not disassemble and repair it yourself.
6. Do not pull the power cord to pull out the power plug. Please grasp the power plug and pull it out; do not move the product by pulling the power cord and grabbing the head of the machine. It is strictly forbidden to use outdoors.
7. It is strictly forbidden to bend, stretch or bump the power cord. If the power cord is damaged, it must be replaced by the manufacturer, its service department, or a similarly qualified person to avoid danger.
8. When it is found that the machine is damaged due to the drop, or the internal electrical parts of the machine can be seen. Please do not attempt to connect the power supply. You must inform the manufacturer or supplier immediately.
9. This device is not intended for use by children unless it is used safely under the direction or assistance of a person with safety responsibility.

CONTROL PANEL



(1) Main power switch
To turn on or off the machine.

(2) Start/Pause button
After turn on the machine, set the time, temperature and other programs. Press this button to enter the working mode. You may press this button to pause the machine, the time display will flash, and the machine will not display the first gear.

(3) Time display
It shows the working time, max. time 60 minutes.

(4) Time increase button +10
Each time you press it, it will increase 10 minutes; if the display time is 60 minutes, continue to press this button to change the time to 10 minutes.

(5) Time increase button +1
Each time you press it, it will increase 1 minute; if the display time is 60 minutes, continue to press this button to change the time to 1 minute.

(6) Temperature display
Total of 6 set temperatures.

(7) Temperature adjustment button -
This button is used to decrease the temperature.

(8) Temperature adjustment button +
This button is used to increase the temperature.

(9) Ion display
When the light is on it indicates ion mode is turned on.

(10) Turn on/off ion mode
Press this button to turn on or off the ion mode.

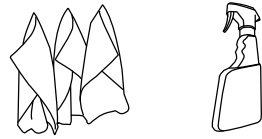
(11) Wind speed adjustment button
Press this button to change the wind level, total of 3 levels.

(12) Wind speed display
It shows the speed of wind mode.

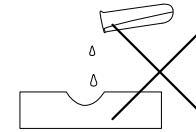
Product care



Brush away excess hair



Clean surface with damp cloth or use simple soap & water solution.



Avoid using corrosive cleaning agents such as bleaches.

Warranty

The warranty period is one year. DIR warrants to you, the original buyer, that goods shall be free of defects in material and/or workmanship attributable to manufacture for one year from date of receipt of product. Damage resulting from improper handling after merchandise is received, or from exposure to weather or extreme atmospheric conditions is not covered by the warranty. For any other information please contact our support team:

DIR BIRMINGHAM

66 Rea Street South
Birmingham
B5 6LB
UK

Tel:
+44(0)121 6434777

Email:
dirstalon@gmail.com

DIR LONDON

Unit 1 River Road
Business Park
33 River Road, Barking
Greater London
IG11 0DA
UK

Tel:
+44(0)20 8591 9310

Email:
dirstalon@gmail.com

DIR NEW YORK

575 Underhill Blvd.
Suite 170
Syosset, NY 11791
USA

Tel:
+1 (718)628-6668
+1 (800)728-2008

Email:
sales@dirstalonfurniture.com

DIR IRELAND

Unit 20, Goldenbridge Ind.
Estate Tyrconnell Road
Inchicore
Dublin 8
Republic of Ireland

Phone:
+353 (1) 429 7969

Email:
sales.ireland@dirgroup.ie