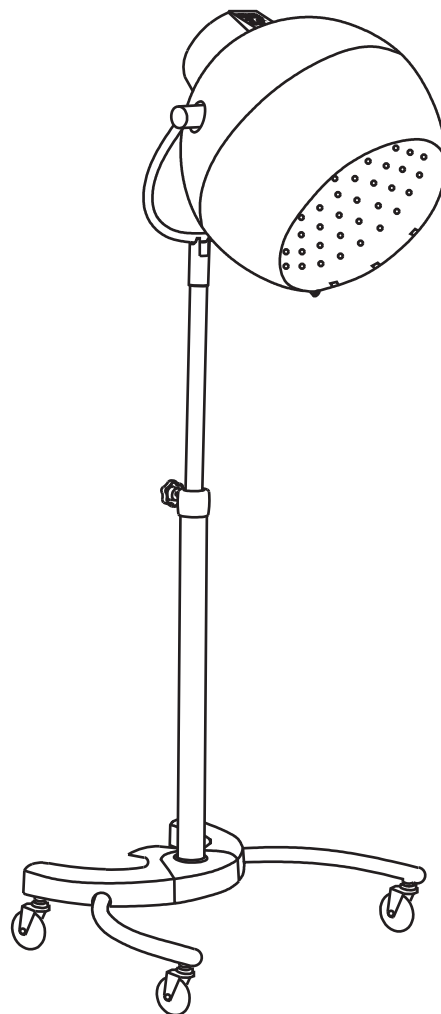


DIR[®]

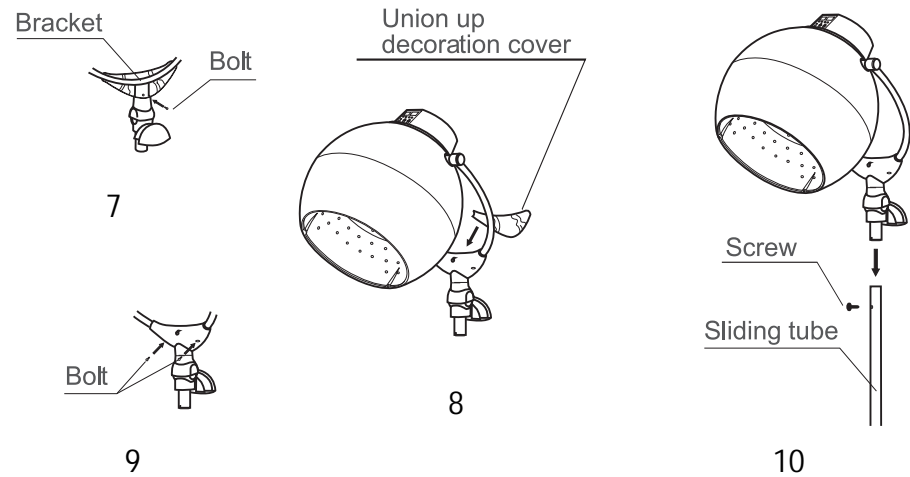
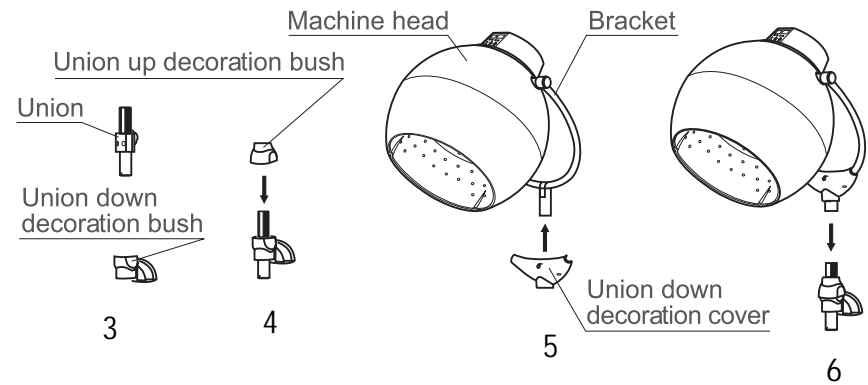
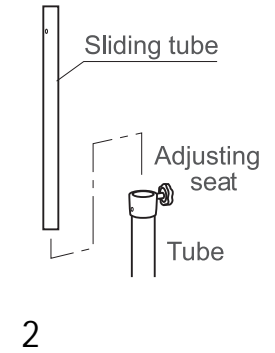
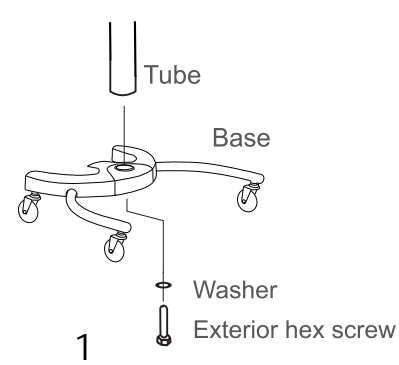
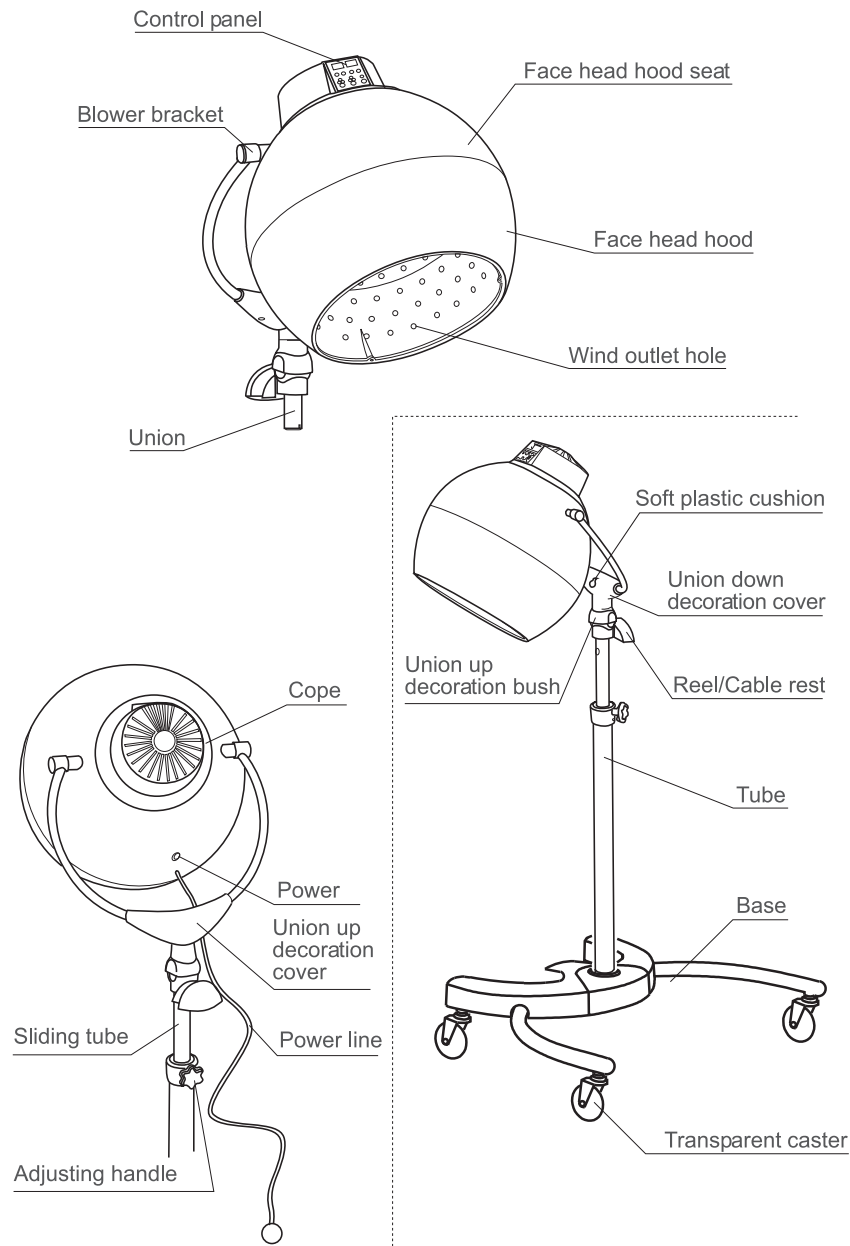
Capsule II Free Standing

D03FS/H133

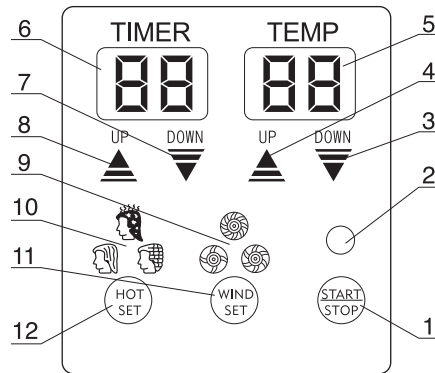
INSTRUCTION MANUAL



PART NAME



CONTROL PANEL



- 1 START/STOP Key**
Press this key, various program starts to work. If press it during work midway, it will become a Stop Key.
- 2 START/STOP Key Indicator**
If the indicator lights, it shows the machine is in work; If the indicator extinguishes, it shows the machine stops work.
- 3 DOWN Temperature Decrease Key**
Press this key one time, it will decrease 1℃.
If press it without release, the temperature will decrease one℃ by one℃.
- 4 UP Temperature Increase Key**
Press this key one time, it will increase 1℃.
If press it without release, the temperature will increase one℃ by one℃.
- 5 TEMP Display Digital Number**
During work, it shows the machine's temperature, and the unit is℃.
- 6 TIMER Working Time Display Digital Number**
It shows the working time, and the unit is minute.
- 7 DOWN Working Time Decrease Key**
Press this key one time, it will decrease 1 minute.
If press it without release, the working time will decrease one minute by one minute.
- 8 UP Working Time Increase Key**
Press this key one time, it will increase 1 minute.
If press it without release, the working time will increase one minute by one minute.
Notice: the maximum working time is 99 minutes.
- 9 Wind Level Indicator**
It shows the wind level, and it totally has three levels.
- 10 Heating Program Indicator**
It shows the heating program, and it totally has three programs.
- 11 WIND SET Level Change Key**
To press this key can change the wind level circularly.
- 12 HOT SET Heating Program Selection Key**
To press this key can change the heating program circularly.
It totally has three programs:
①Perm ②Marcel ③Drying, and it also has the indicator.

PRODUCT FUNCTION

This machine can both heat up in a close mode and blow wind. It can be used for hair dry, perm, color care, steaming, dyeing, care and so on.

PRODUCT CHARACTER

The product adopts the reel/cable rest assembly and bracket newly developed by our company. The machine head can freely turn 180℃. The reel/cable rest greatly facilitates the placement of power line.

OPERATION EXPLANATION

1. Connect the power switch
 - TIMER Working Time Display Digital Number shows 00.
 - TEMP Display Digital Number shows 00 and at that time the machine is ready.
2. Connect START/STOP Key to start
 - The machine begins to work as per the set program, the time is 20 minutes and the temperature is 50℃.
 - The set time, temperature, wind level and heating mode can be adjusted at will as per the actual situation.
3. During operation
 - START/STOP Key Indicator lights.
 - The selected Program Indicator indicates the set condition.
 - Press START/STOP Key once, the machine will return to the initial start-up condition.
Press START/STOP Key again, the machine will begin the work again.
4. The set time is up.
When the time set by the program is up, the machine will stop work and return to the initial start-up condition.
5. Stop the machine and turn off the power.

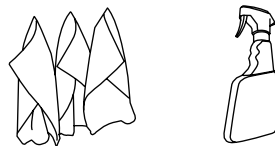
FLOOR TYPE MACHINE INSTALLATION EXPLANATION

1. Place the BASE UP BUCKLE on the BASE's center.
2. Place the TUBE on the BASE UP BUCKLE. The ADJUSTING SEAT of the TUBE must face toward the BASE's longer side.
3. Sheathe the BASE DOWN BUCKLE from the underneath of the BASE, and tighten up with WASHER and EXTERIOR HEX SCREW.
4. Sheathe the SLIDING TUBE into the hole of MACHINE HEAD, and tighten up with SCREW.
5. Insert the SLIDING TUBE into the TUBE, ensure the MACHINE HEAD to face toward the BASE's longer side, adjust to the needed height by raising up or lowering down the SLIDING TUBE, and tighten up with ADJUSTING SEAT.

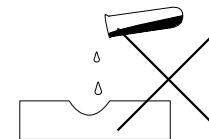
Warning! Don't insert or place the SLIDING TUBE alone into the TUBE, to avoid the SLIDING TUBE popping out. During the assembly or unassembly process, the strong spring may cause accidental serious injury, so must be careful!



Brush away excess hair



Clean surface with damp cloth or use simple soap & water solution.



Avoid using corrosive cleaning agents such as bleaches.

Warranty

The warranty period is one year. DIR warrants to you, the original buyer, that goods shall be free of defects in material and/or workmanship attributable to manufacture for one year from date of receipt of product. Damage resulting from improper handling after merchandise is received, or from exposure to weather or extreme atmospheric conditions is not covered by the warranty. For any other information please contact our support team:

DIR BIRMINGHAM

66 Rea Street South
Birmingham
B5 6LB
UK

Tel:
+44(0)121 6434777

Email:
dirsalon@gmail.com

DIR LONDON

Unit 1 River Road
Business Park
33 River Road, Barking
Greater London
IG11 0DA
UK

Tel:
+44(0)20 8591 9310

Email:
dirsalon@gmail.com

DIR NEW YORK

575 Underhill Blvd.
Suite 170
Syosset, NY 11791
USA

Tel:
+1 (718)628-6668
+1 (800)728-2008

Email:
sales@dirsalonfurniture.com

DIR IRELAND

Unit 20, Goldenbridge Ind.
Estate Tyrconnell Road
Inchicore
Dublin 8
Republic of Ireland

Phone:
+353 (1) 429 7969

Email:
sales.ireland@dirgroup.ie