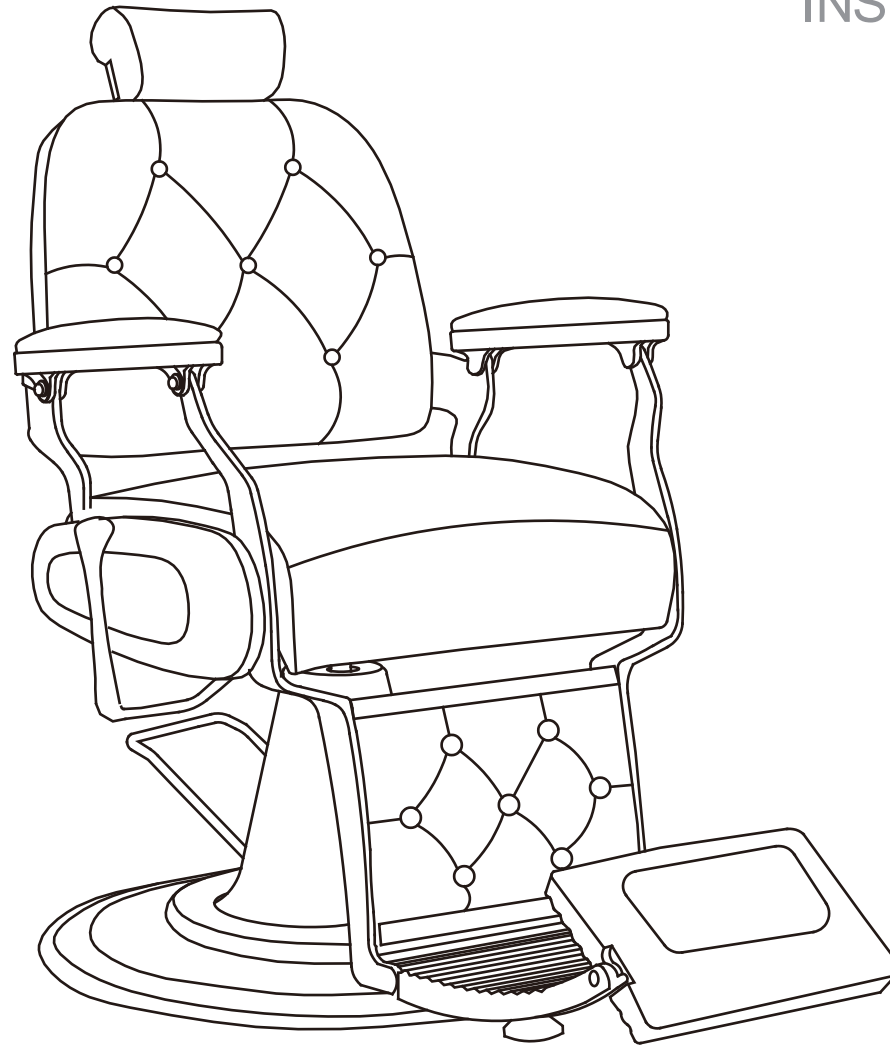


# DIR<sup>®</sup>

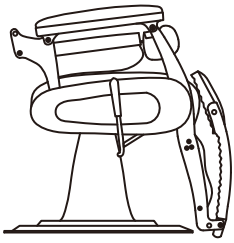
# TITAN

2777

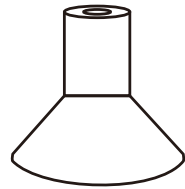
INSTRUCTION MANUAL



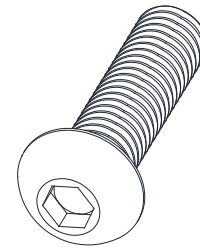
# List of Parts & Tools



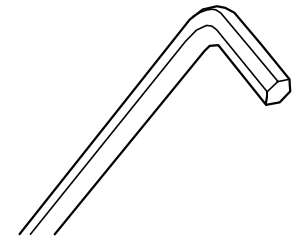
101001



101002

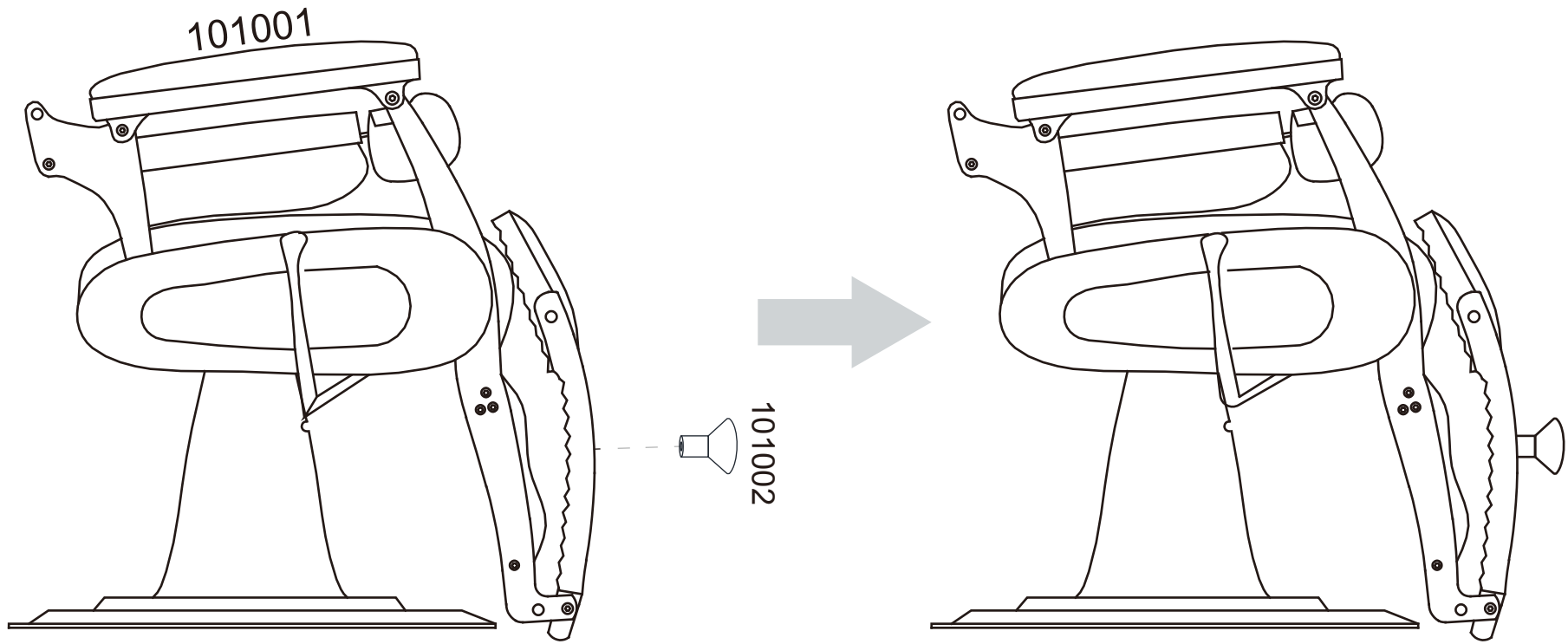


101003

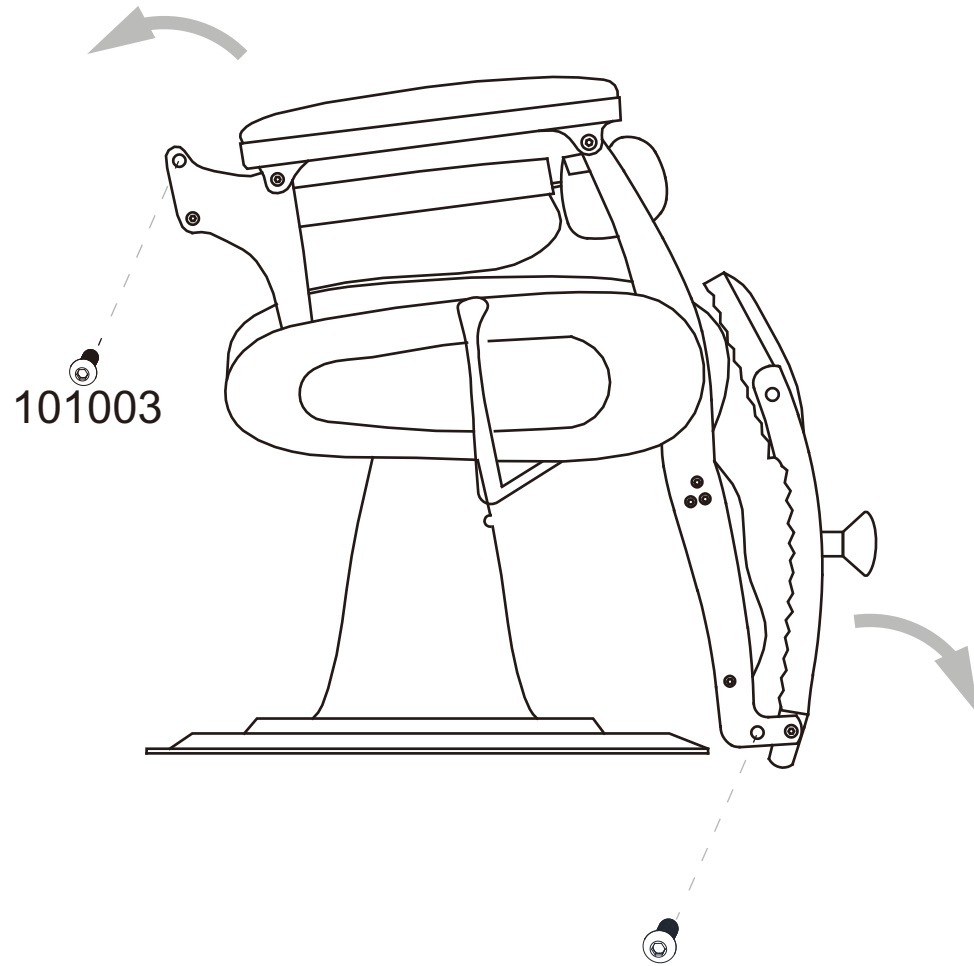


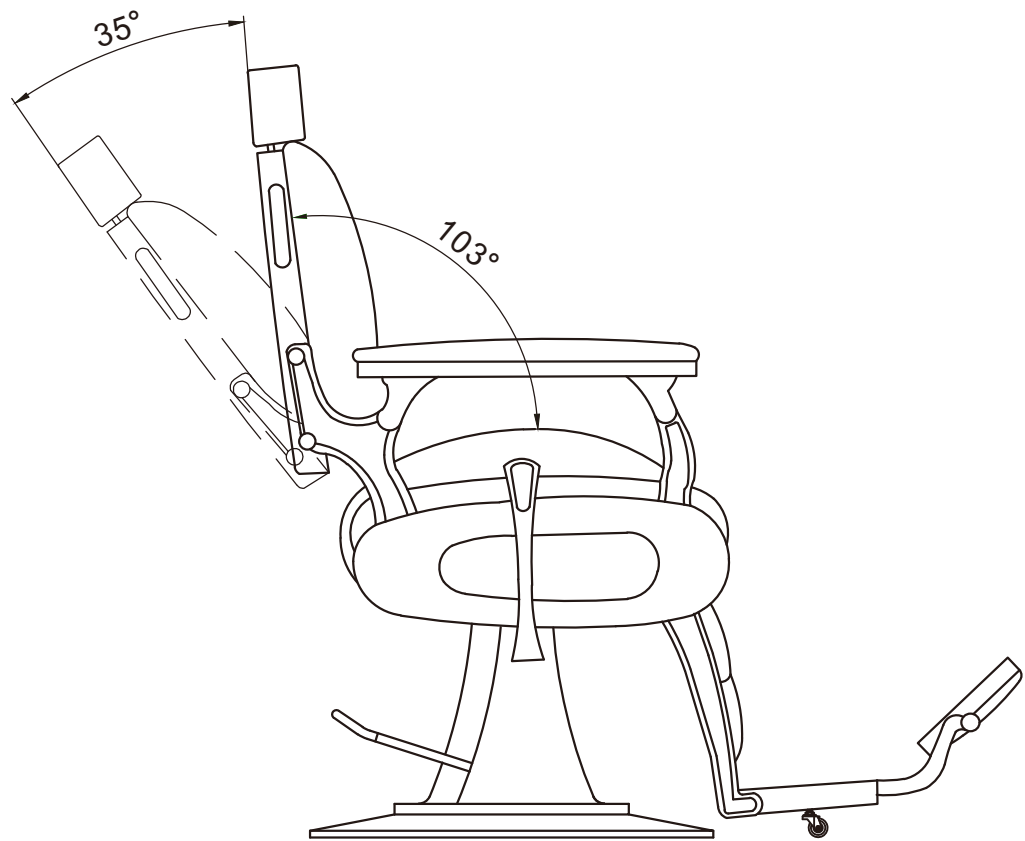
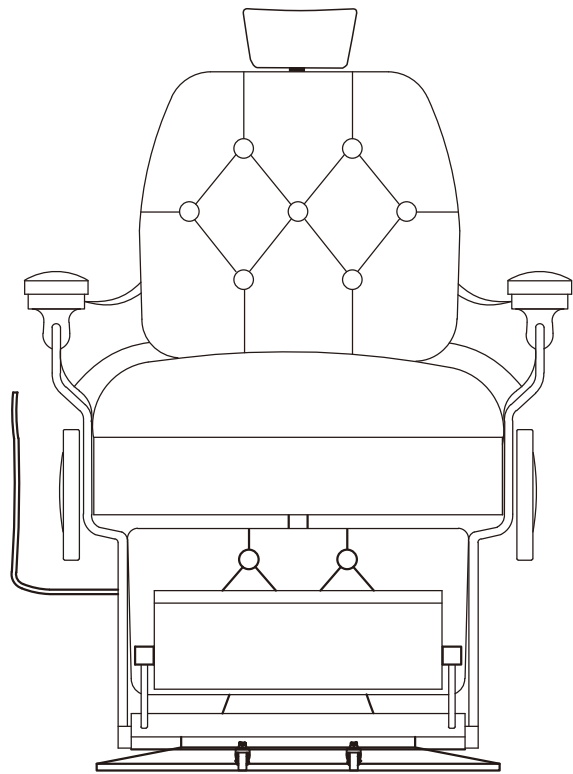
101004

Step 1



# Step 2

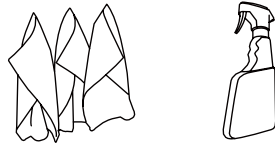




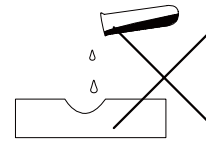
## Product care



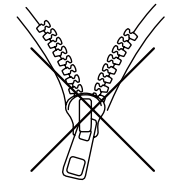
Brush away excess hair



Clean surface with damp cloth or use simple soap & water solution.



Avoid using corrosive cleaning agents such as bleaches.



Do not remove upholstery for cleaning

## Warranty

The warranty period is one year. DIR warrants to you, the original buyer, that goods shall be free of defects in material and/or workmanship attributable to manufacture for one year from date of receipt of product. Damage resulting from improper handling after merchandise is received, or from exposure to weather or extreme atmospheric conditions is not covered by the warranty. For any other information please contact our support team:

### DIR BIRMINGHAM

66 Rea Street South  
Birmingham  
B5 6LB  
UK

-----  
Tel:  
+44(0)121 6434777  
-----

Email:  
dирsalon@gmail.com

### DIR LONDON

Unit 1 River Road  
Business Park  
33 River Road, Barking  
Greater London  
IG11 0DA  
UK

-----  
Tel:  
+44(0)20 8591 9310  
-----

Email:  
dирsalon@gmail.com

### DIR NEW YORK

575 Underhill Blvd.  
Suite 170  
Syosset, NY 11791  
USA

-----  
Tel:  
+1 (718)628-6668  
+1 (800)728-2008  
-----

Email:  
sales@dирsalonfurniture.com