

DIR[®]

Mochilagon

7018

INSTRUCTION MANUAL

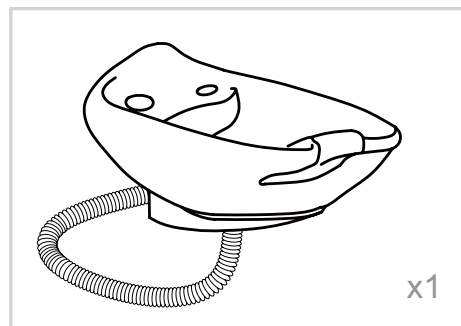


EN

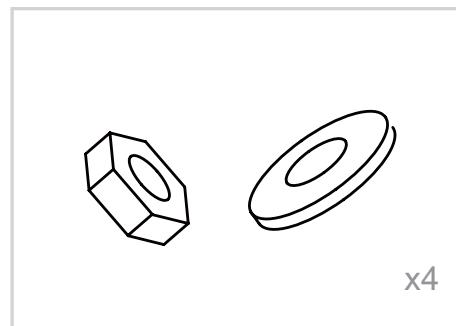
List of Parts & Tools



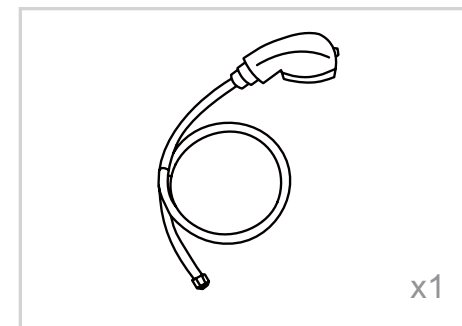
101001



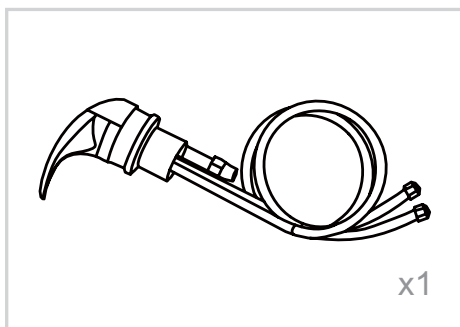
0350/0388



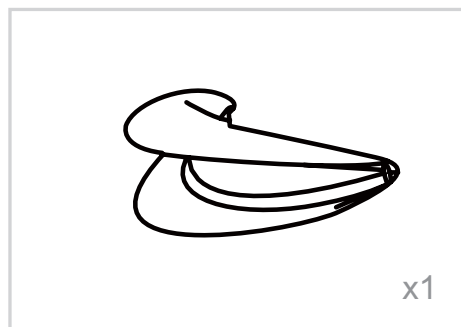
101003



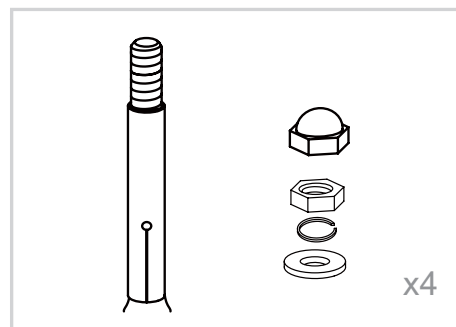
101004



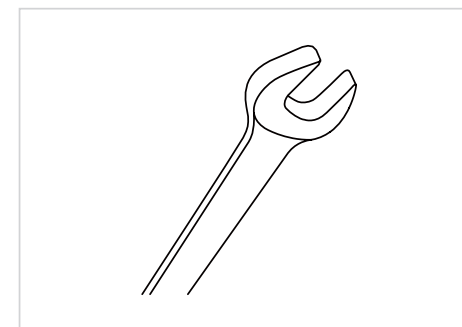
101005



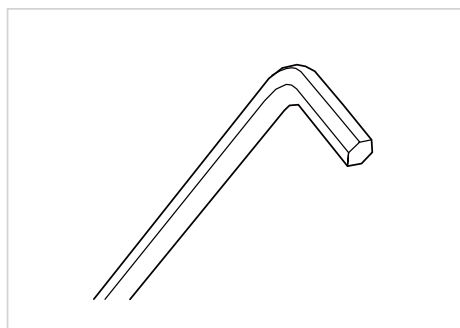
101006



101007



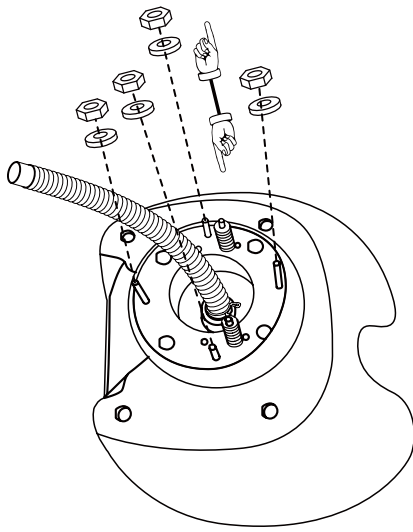
101008



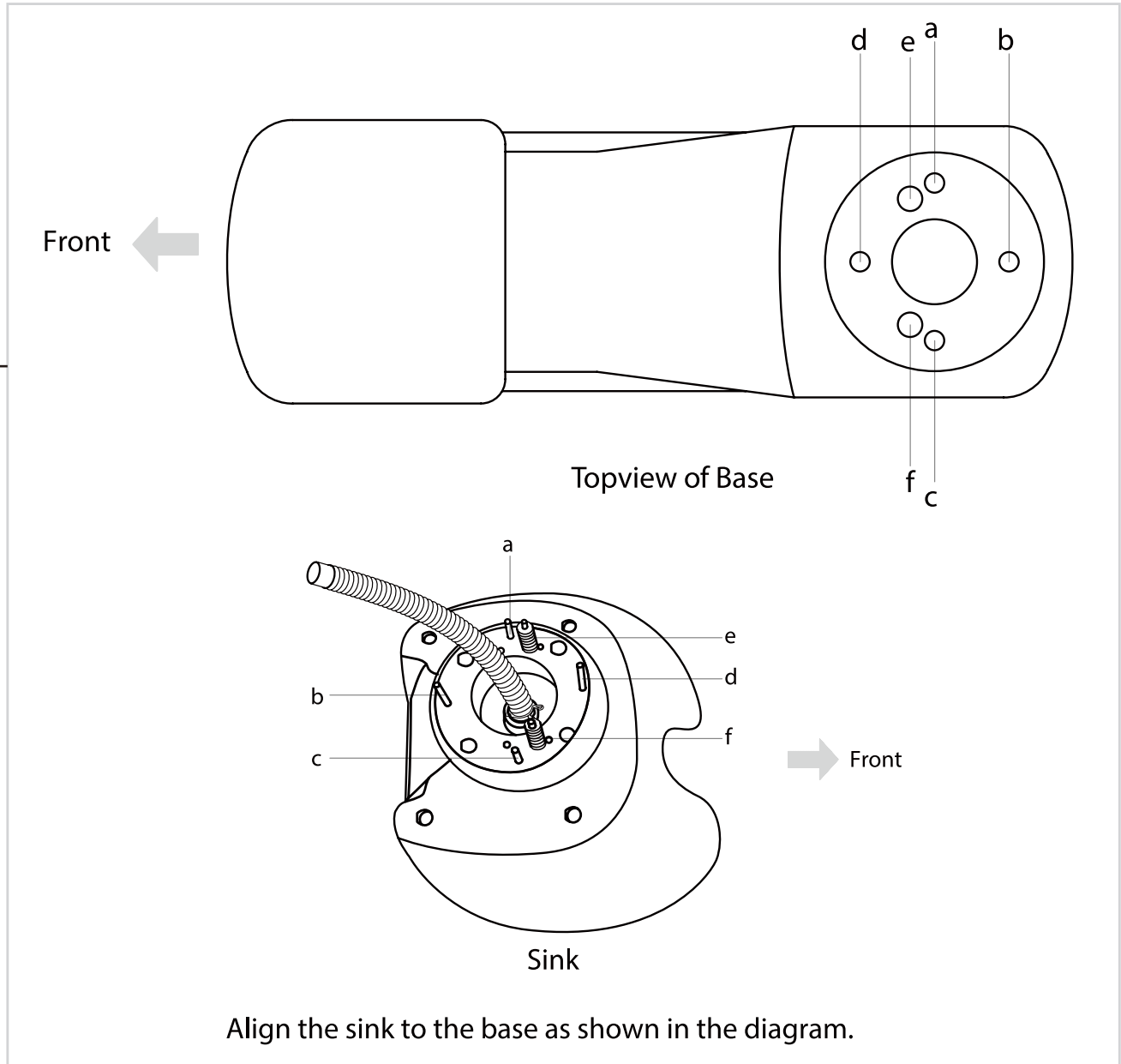
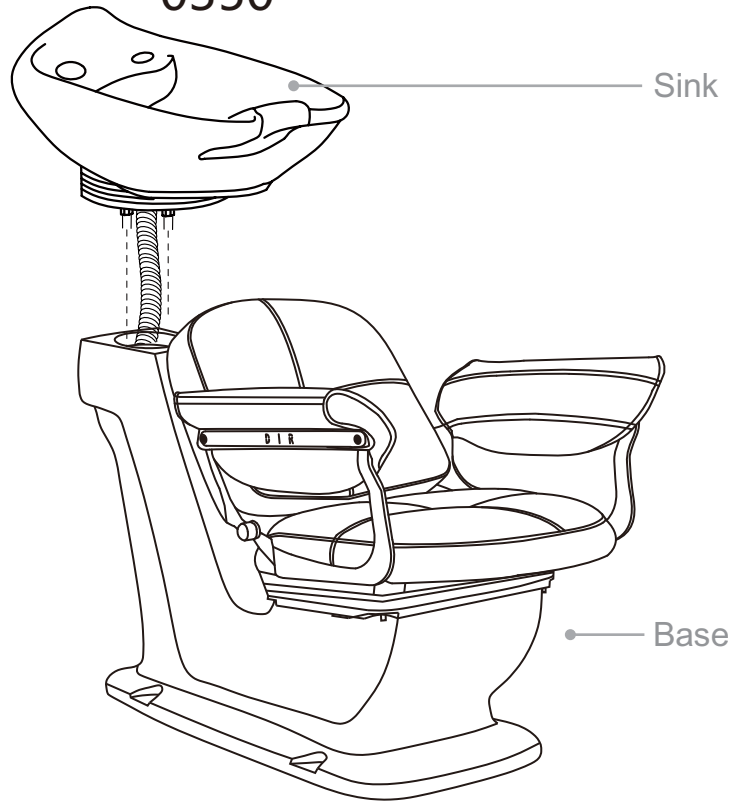
101009

| Type | USA size | UK size |
|----------------------------|-------------------|-----------------|
| Water supply lines Adapter | $\frac{5}{8}$ " | $\frac{1}{2}$ " |
| Drain Hose Connector | $1 \frac{1}{4}$ " | 3.2cm |

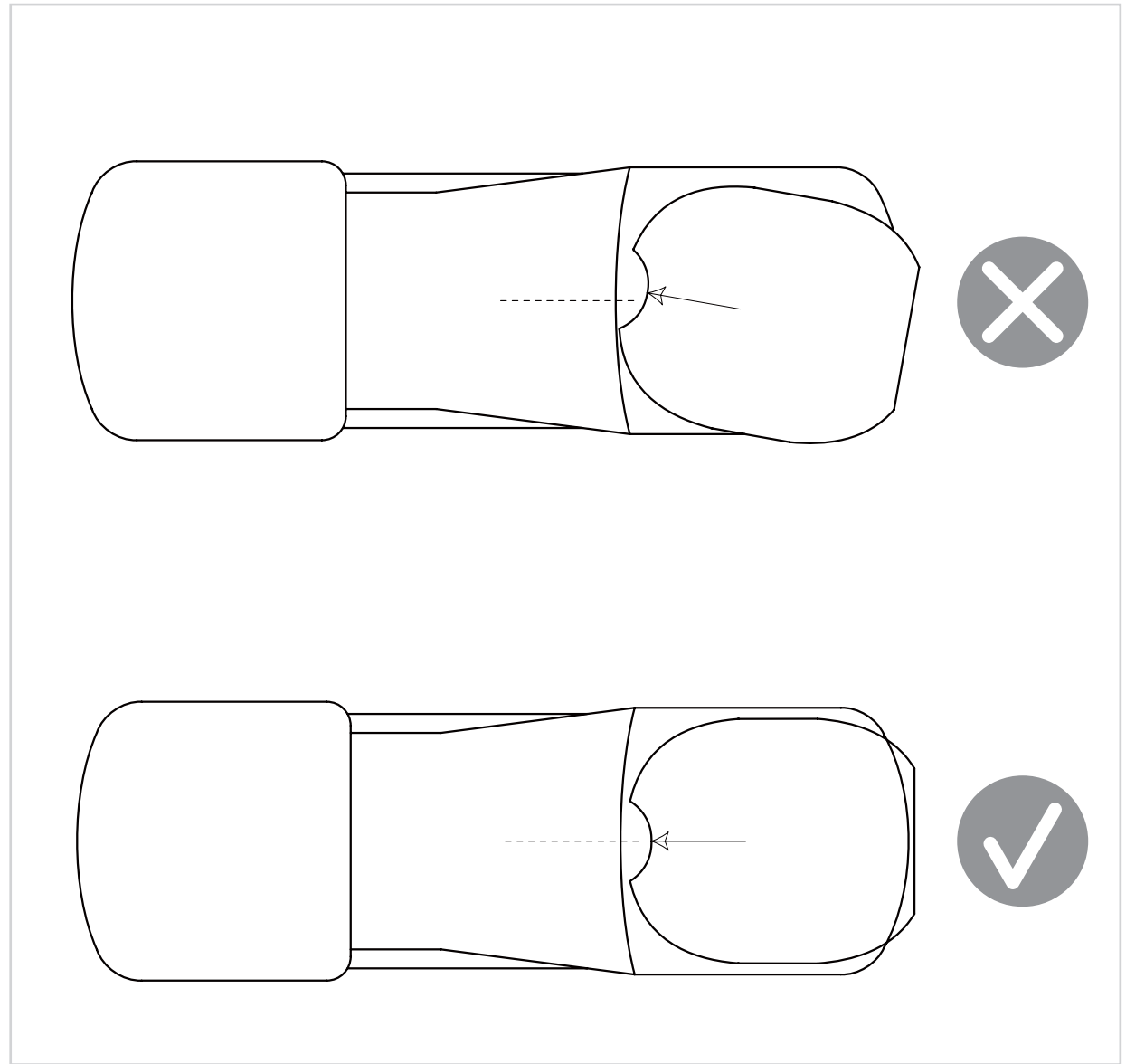
0350



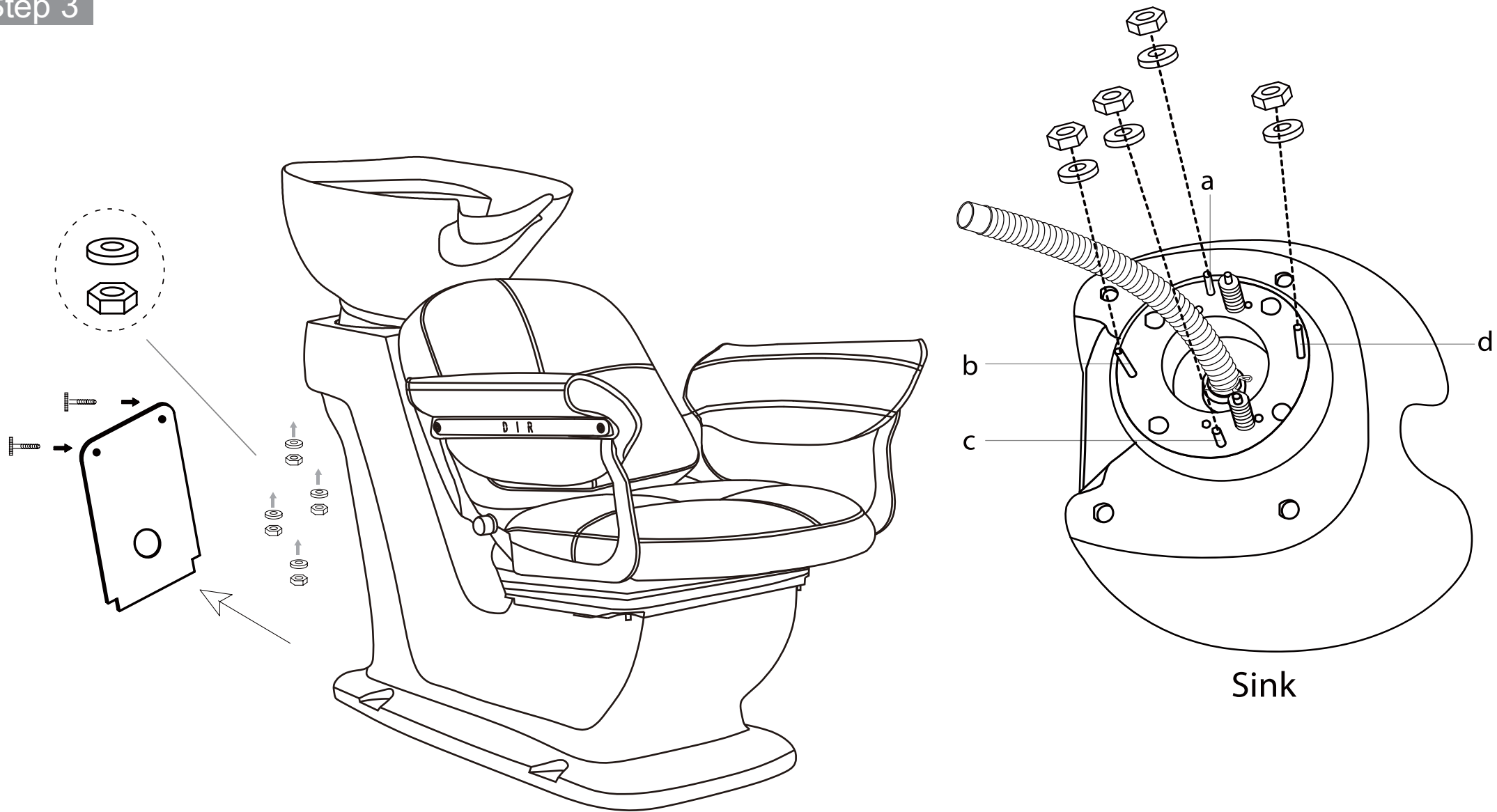
0350



0350



Step 3

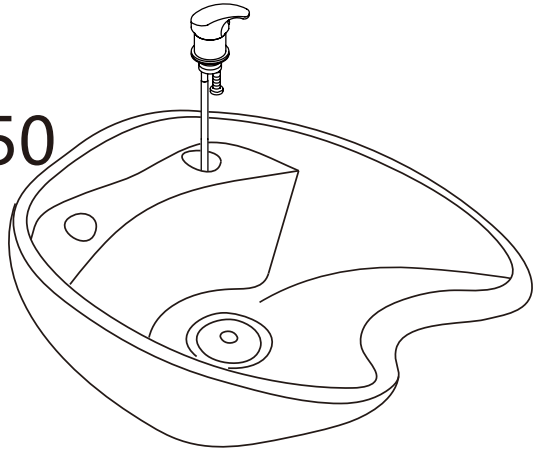


Undo the access panel by twisting clockwise then using the 4* 14mm washers & gaskets provided fasten the sink to the base.

Faucet Set up

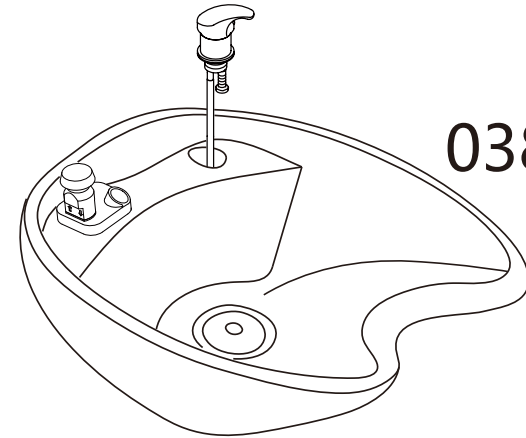
None Vacuum Breaker Sink

0350

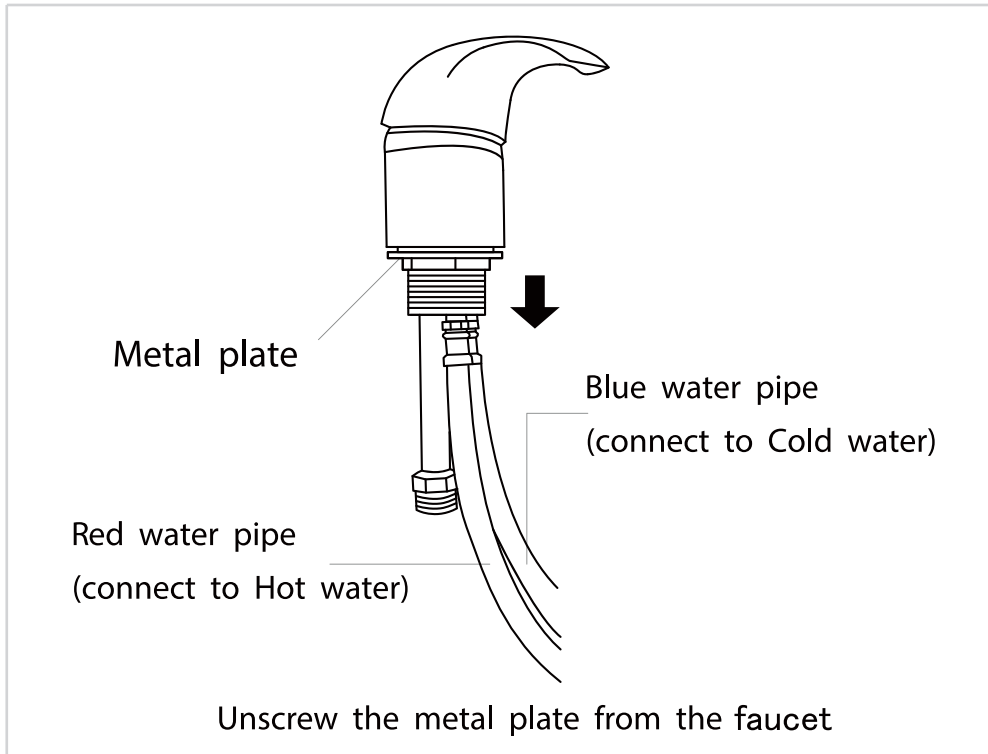


Vacuum Breaker Sink

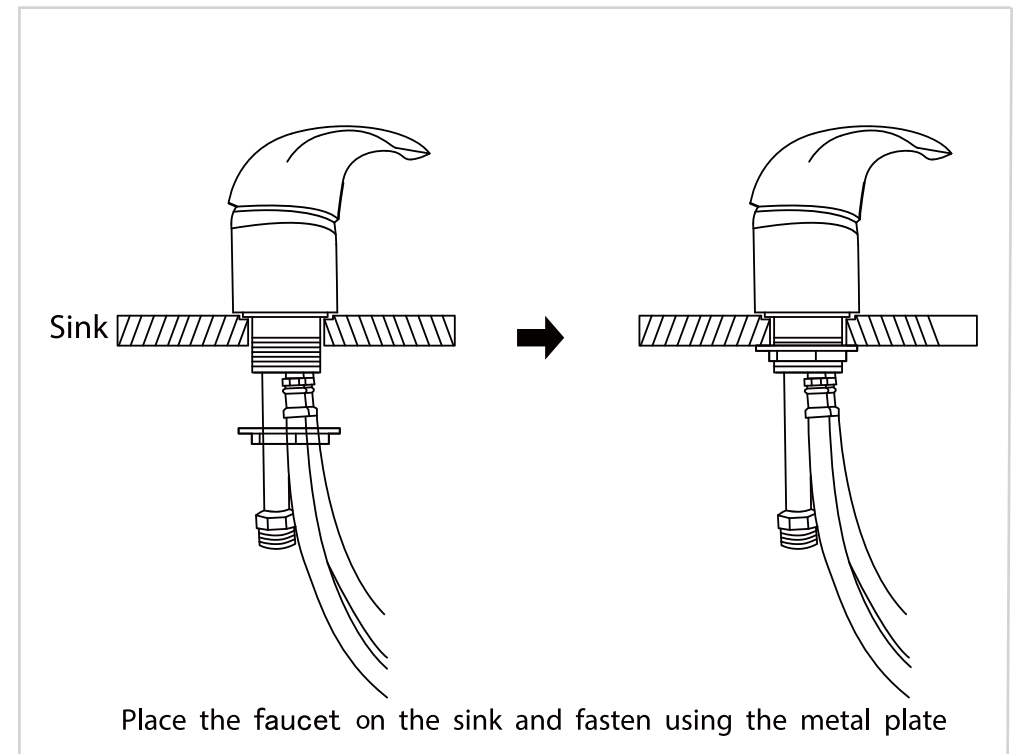
0388



or



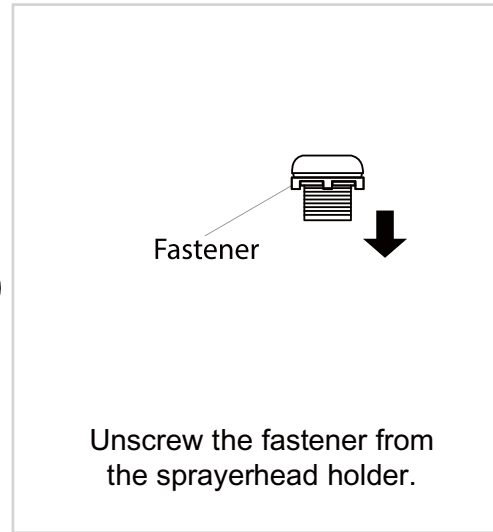
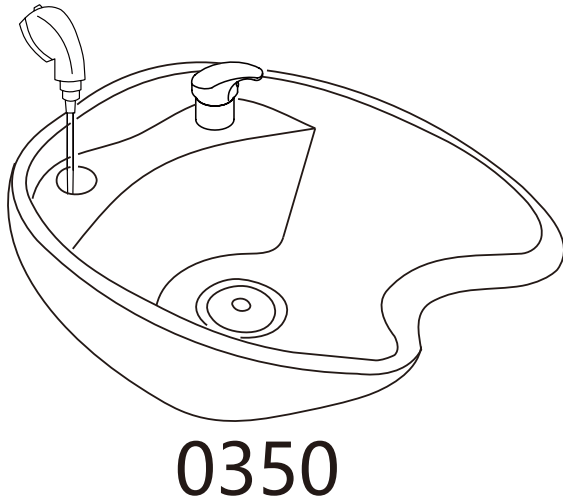
STEP 1



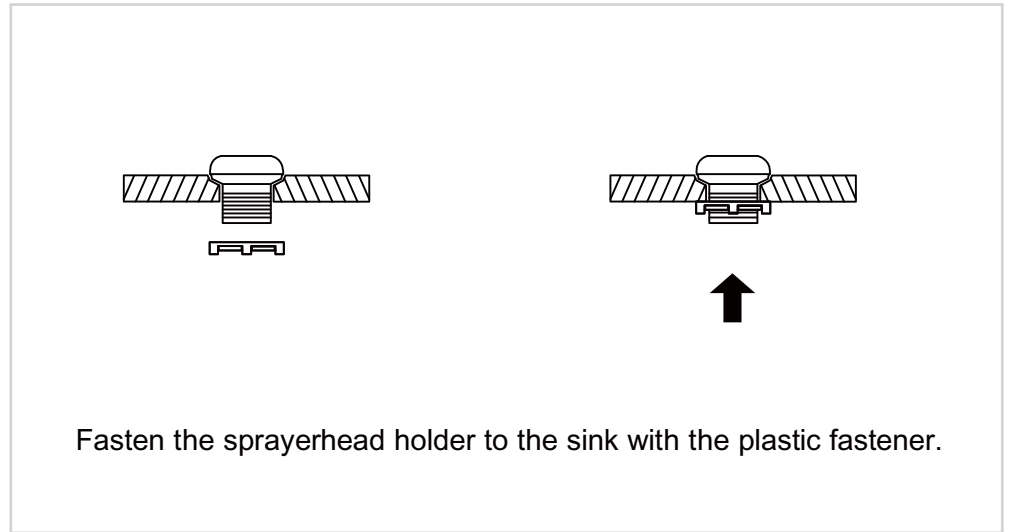
STEP 2

Sprayer Set Up

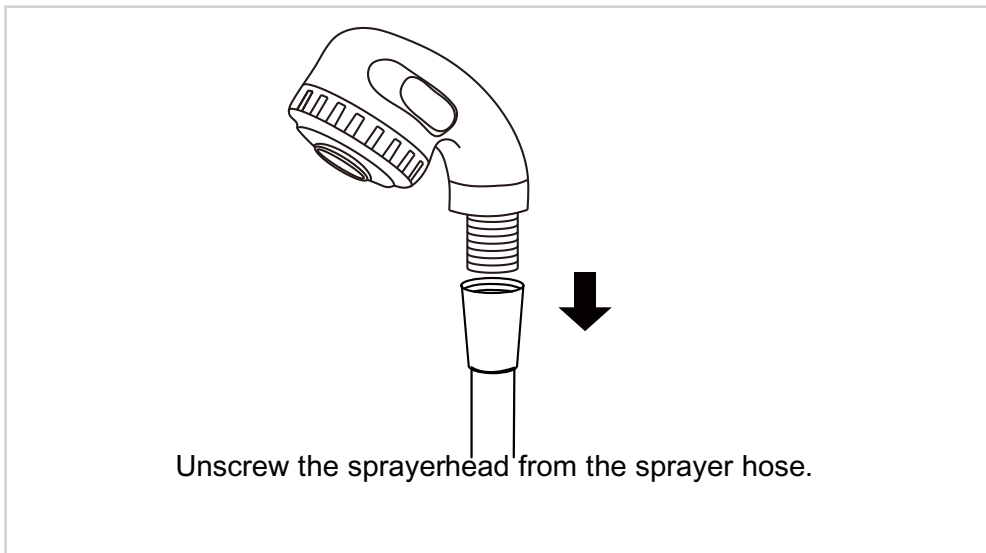
None Vacuum Breaker Sink



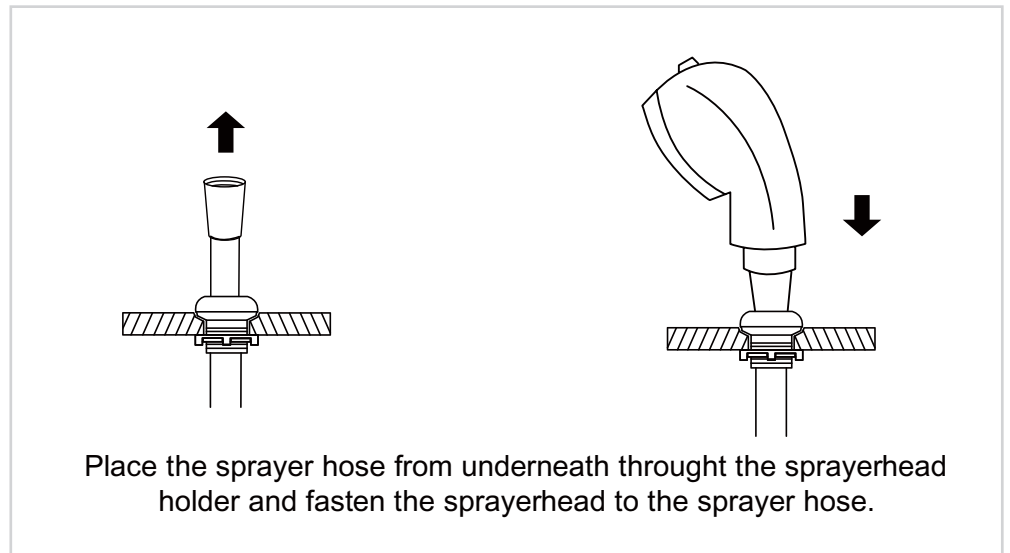
STEP 1



STEP 2

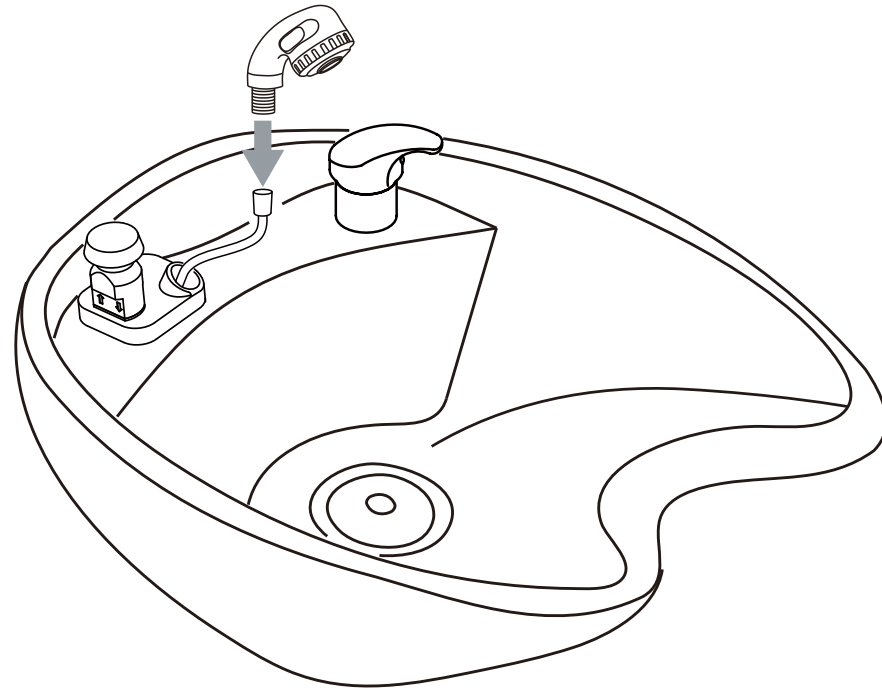


STEP 3

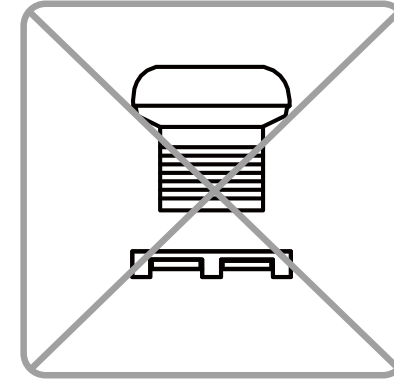


STEP 4

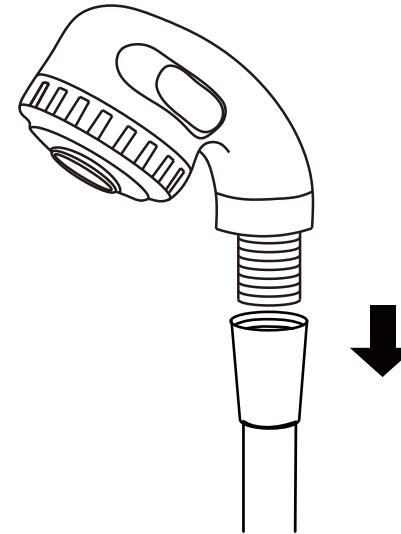
Sprayer Set Up Vacuum Breaker Sink



0388

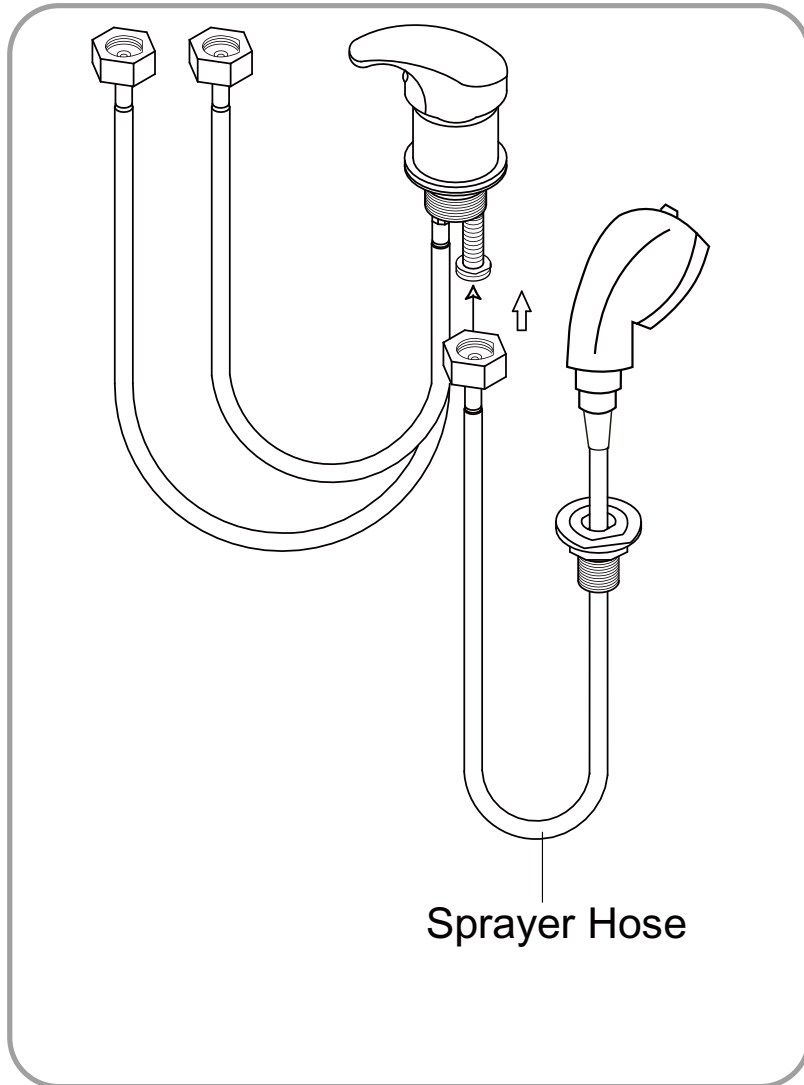


no need



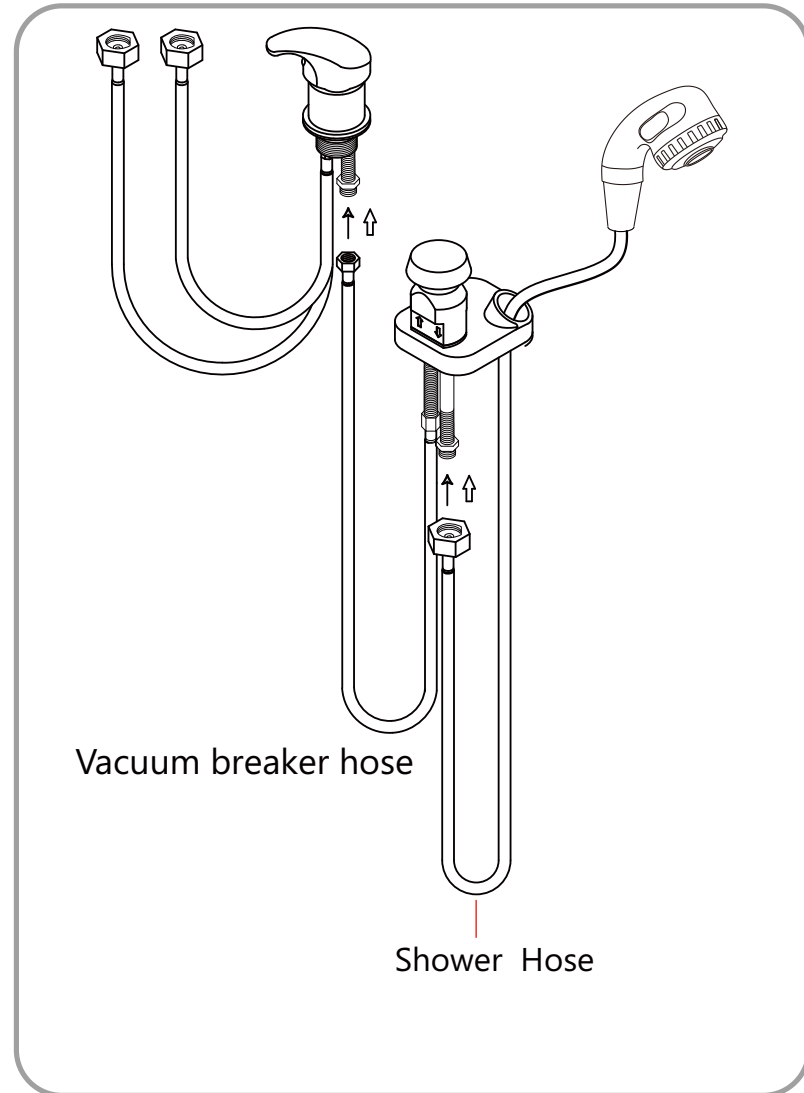
Unscrew the sprayerhead from the sprayer hose.

None Vacuum Breaker Sink



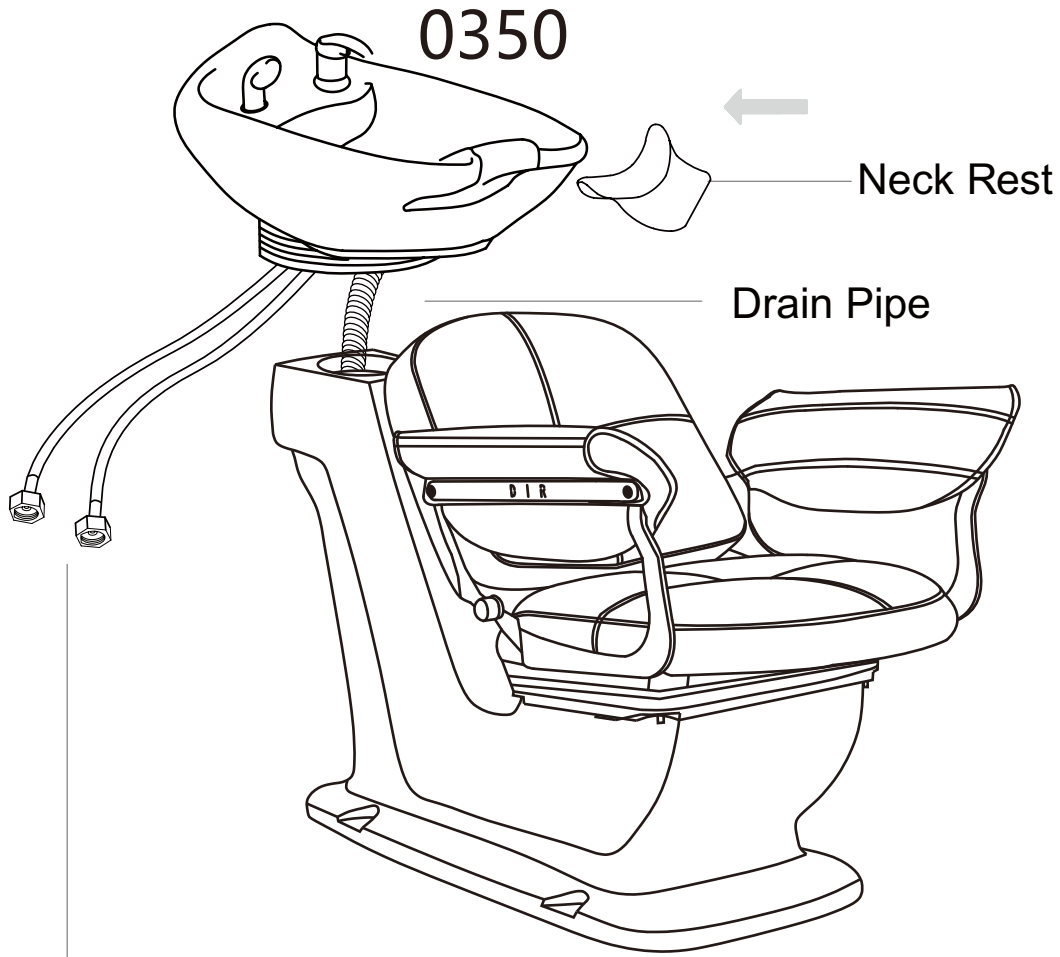
or

Vacuum Breaker Sink



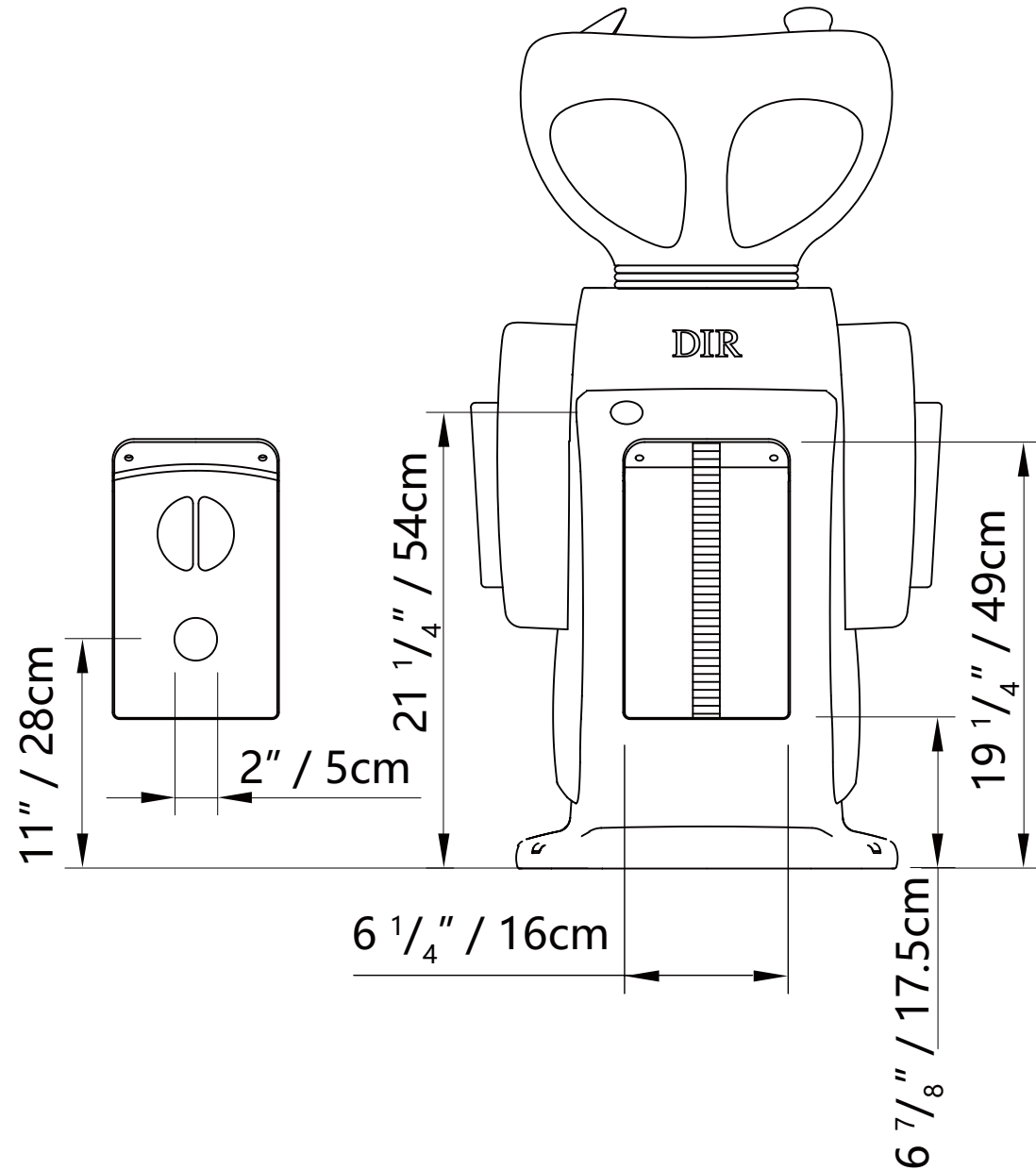
Plumbing setup:

*removable back panel to route both water supply lines and make all connections.



Blue water pipe
(connect to cold water)

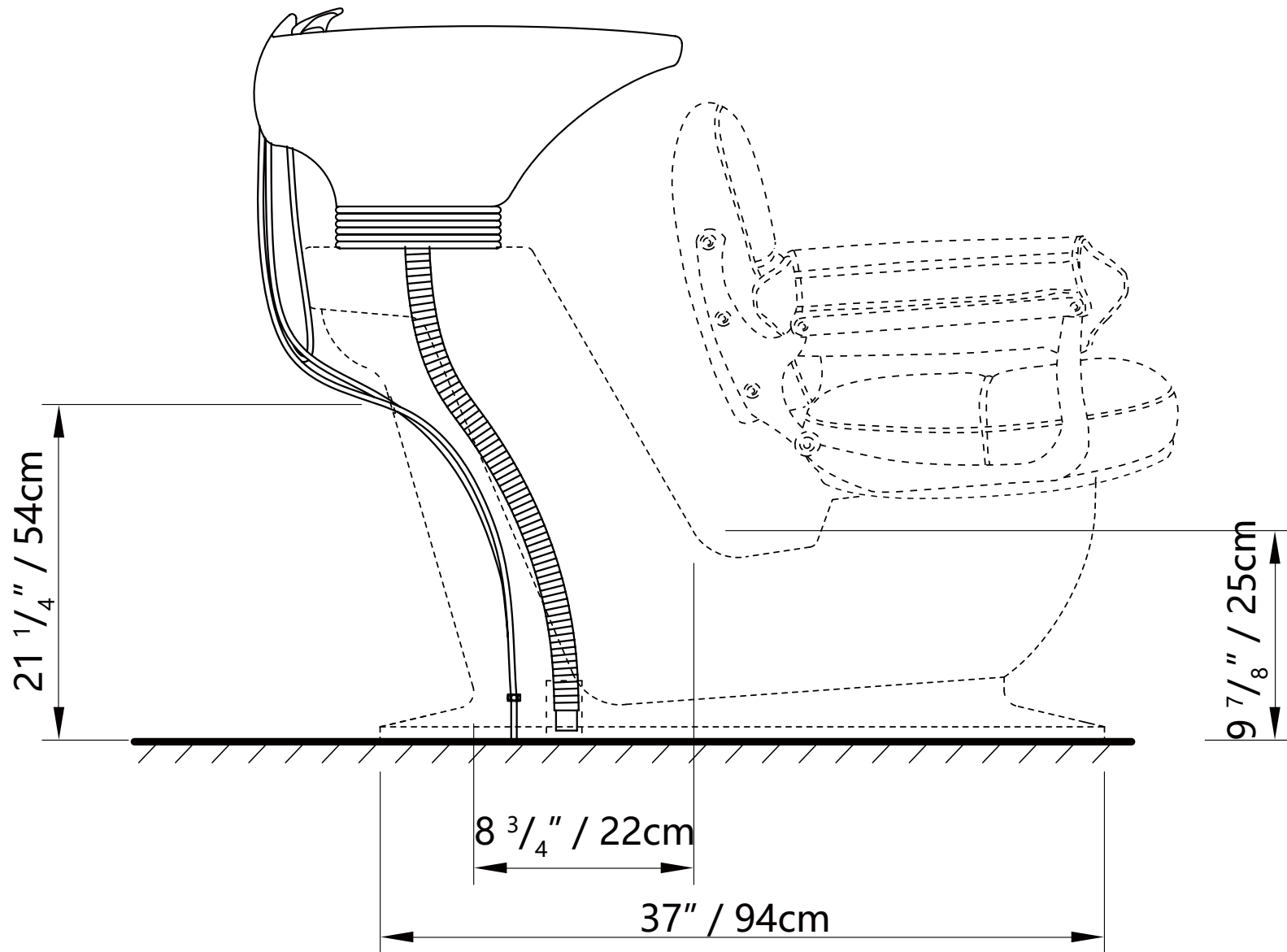
Red water pipe
(connect to cold water)



Floor plumbing setup:

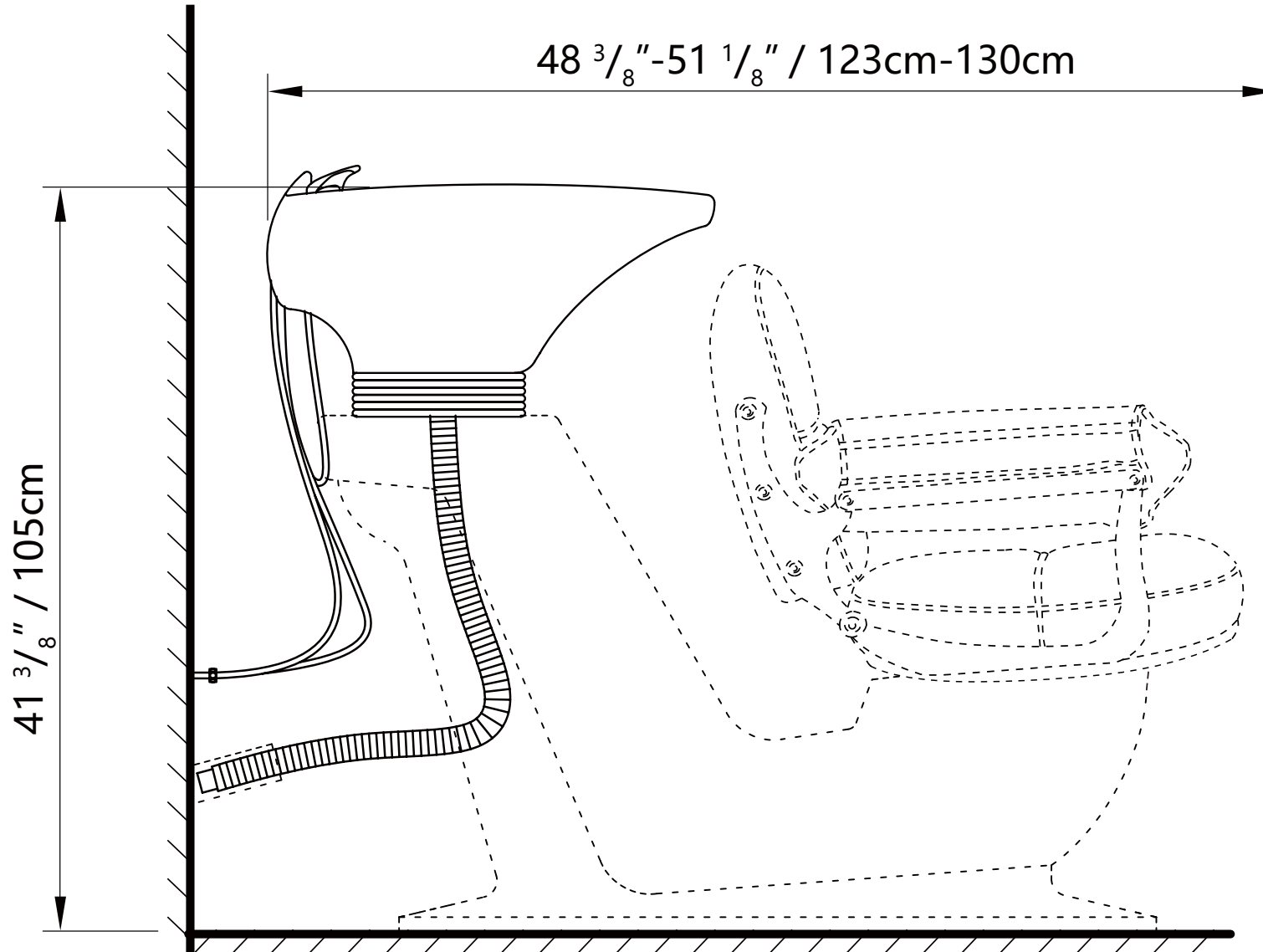
All connection pipes are enclosed within the base unit.

Water supply lines are routed into the unit via circle opening on the back of the base.



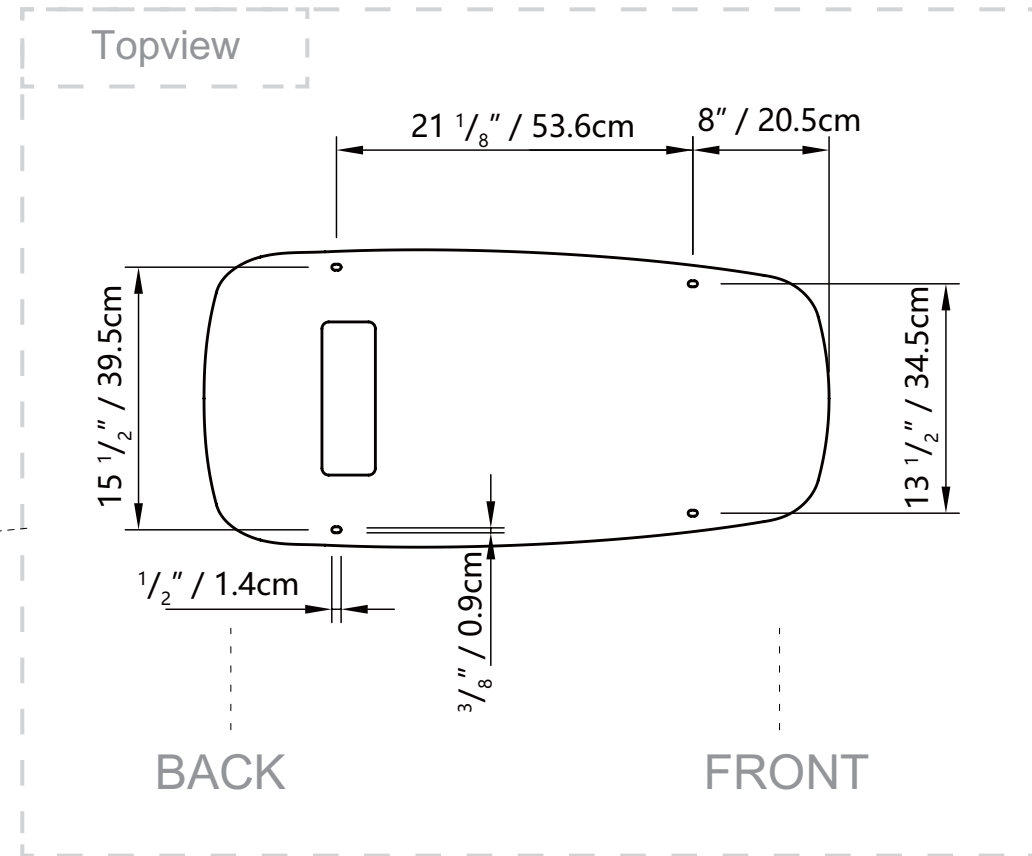
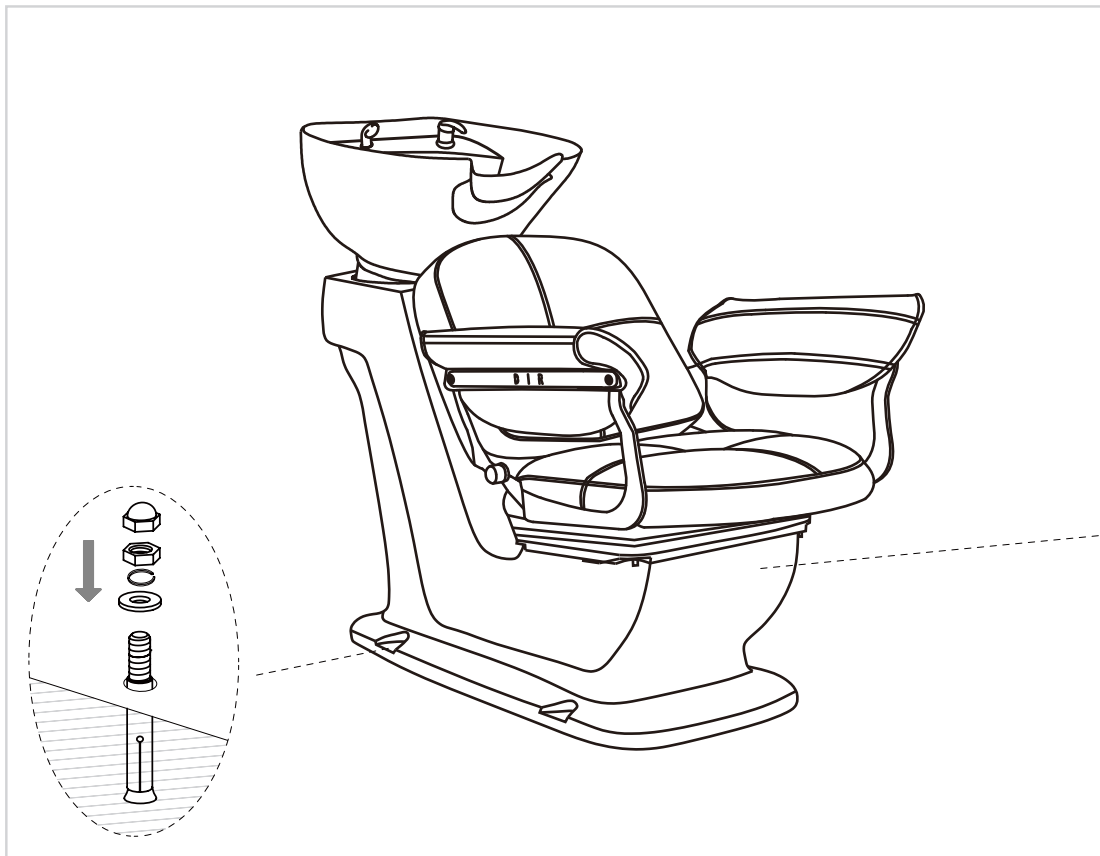
Wall plumbing setup:

Circle opening on removable back for drain pipe exit

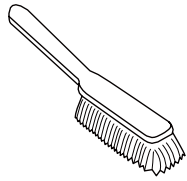


Please leave minimum $7 \frac{7}{8}'' / 20\text{cm}$ of space measuring from finished wall to the back of the sink to allow sinks tilting position.

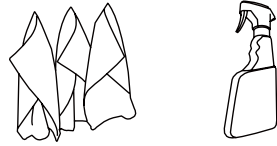
Secure the backwash on the floor by the provided floor anchors.



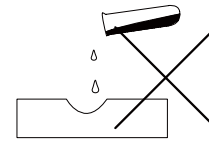
Product care



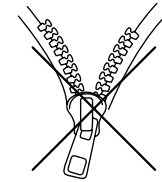
Brush away excess hair



Clean surface with damp cloth or use simple soap & water solution.



Avoid using corrosive cleaning agents such as bleaches.



Do not remove upholstery for cleaning

Warranty

The warranty period is one year. DIR warrants to you, the original buyer, that goods shall be free of defects in material and/or workmanship for one year from date of delivery. Damage resulting from improper handling after merchandise is received, or from exposure to weather or extreme atmospheric conditions is not covered by the warranty. For any other information please contact our support team:

DIR BIRMINGHAM

66 Rea Street South
Birmingham
B5 6LB
UK

Tel:
+44(0)121 6434777

Email:
dirstalon@gmail.com

DIR LONDON

Unit 1 River Road
Business Park
33 River Road, Barking
Greater London
IG11 0DA
UK

Tel:
+44(0)20 8591 9310

Email:
dirstalon@gmail.com

DIR NEW YORK

575 Underhill Blvd.
Suite 170
Syosset, NY 11791
USA

Tel:
+1 (718)628-6668
+1 (800)728-2008

Email:
sales@dirstalonfurniture.com