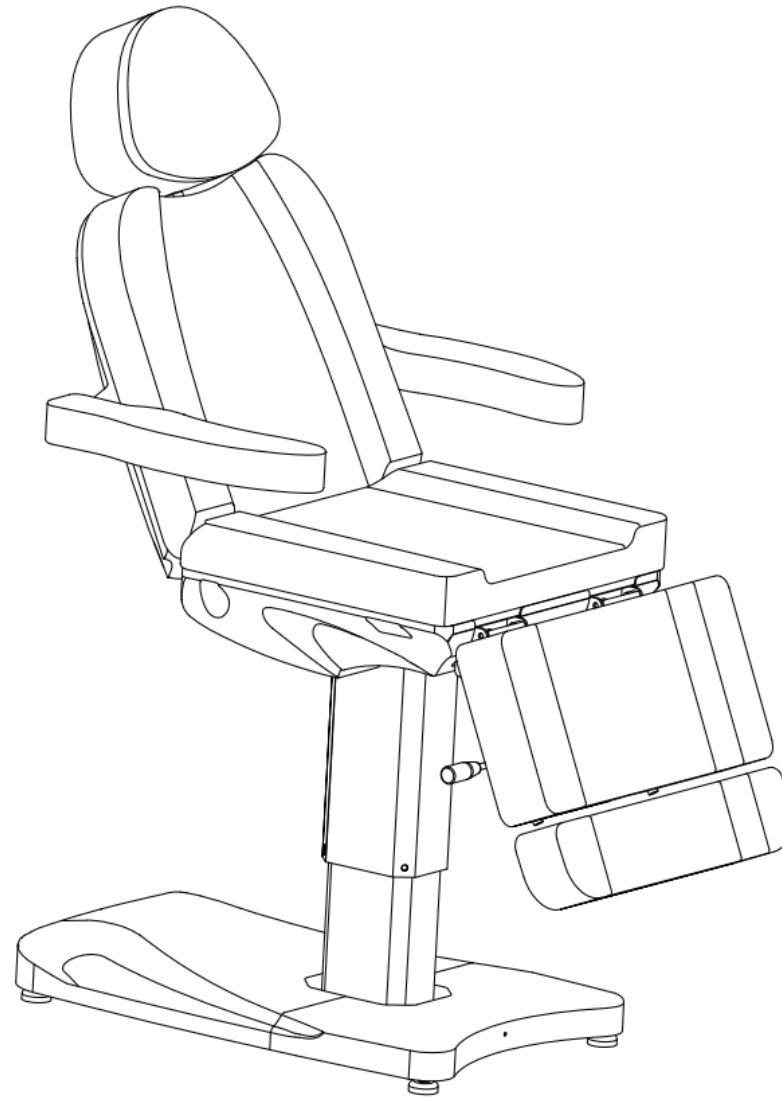


# DIR<sup>®</sup>

# INK

8103






INSTRUCTION MANUAL



## Technical data

	UK	USA
Measurement	1900*880*630mm	74 <sup>7</sup> / <sub>8</sub> "*34 <sup>5</sup> / <sub>8</sub> "*24 <sup>7</sup> / <sub>8</sub> "
Maximum load	180kg	400lbs
Net weight	66kg	145lbs
Adjustable range of height	630 ~ 880mm	24 <sup>7</sup> / <sub>8</sub> " ~ 34 <sup>3</sup> / <sub>4</sub> "
Input voltage	AC220~240V, 50Hz	AC100~130V, 60Hz
Output voltage	DC 24V	DC 24V

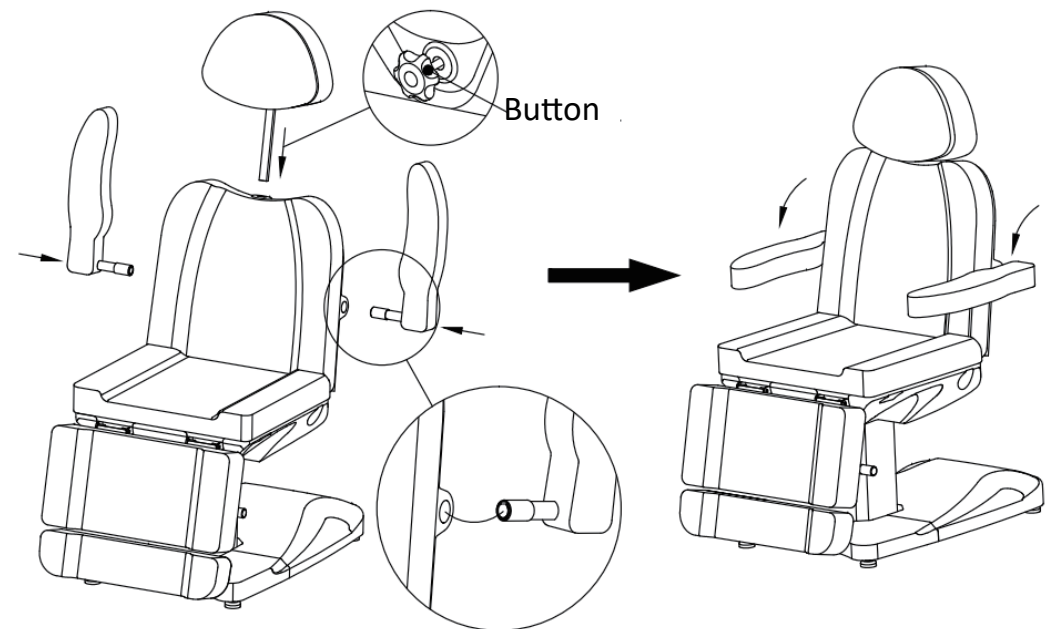
## List of accessories

Accessories	Picture	QTY
Left Armrest		1
Right Armrest		1
Headrest		1
Extra Soft headrest		1
Headrest stuffed		1

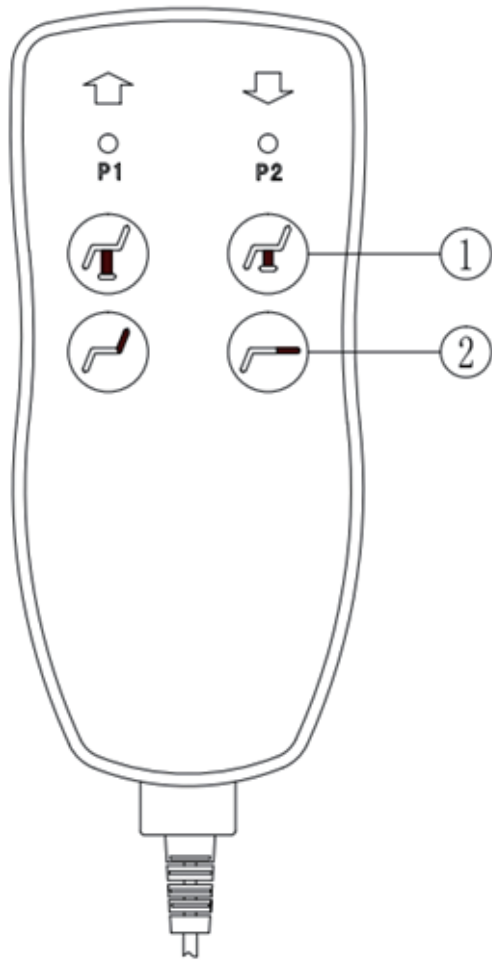
## Assembly instructions

(1) Install the pillow, connect it to the bed, loose the button to adjust the height of the pillow, as shown in picture.

(2) Install the armrests, connect the bar of left and right armrests with the inner pin of the bed, Rotate the armrests by 90 degrees counterclockwise, as shown in picture



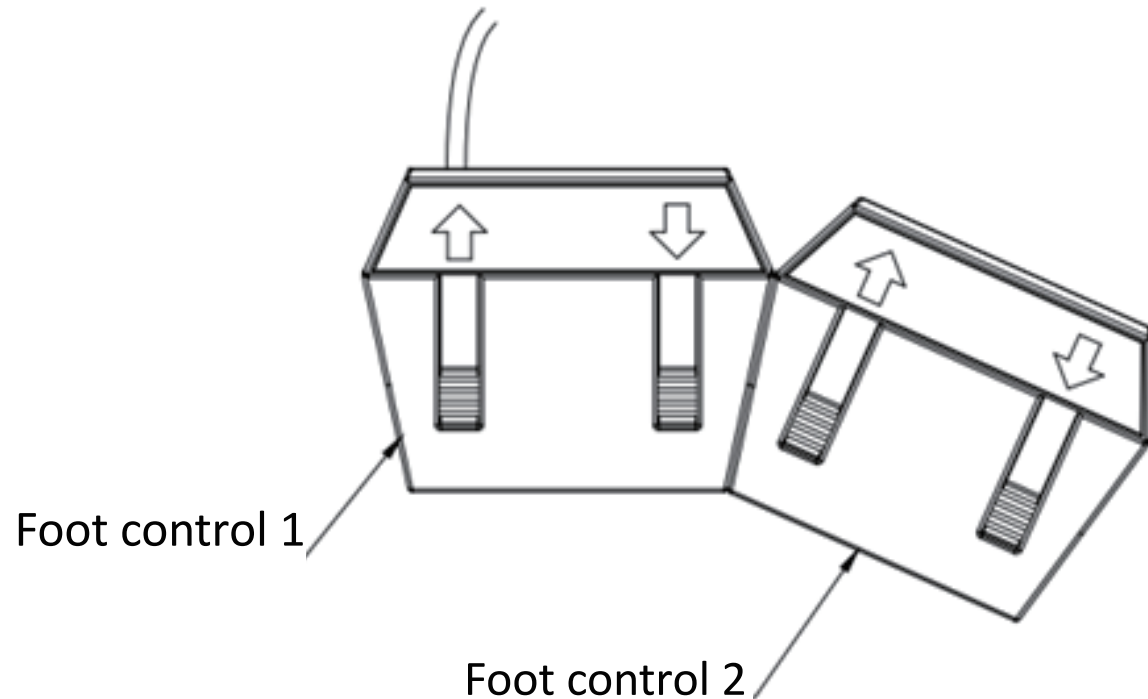
## Operating instruction Remote Panel



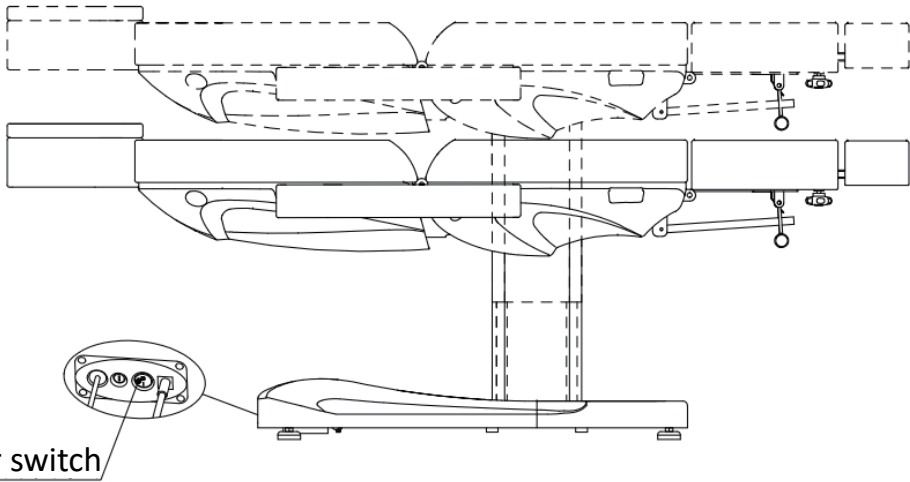
## Introduction for remote panel

Press button ① to adjust the whole bed up and down.  
Press button ② to adjust the backrest up and down.

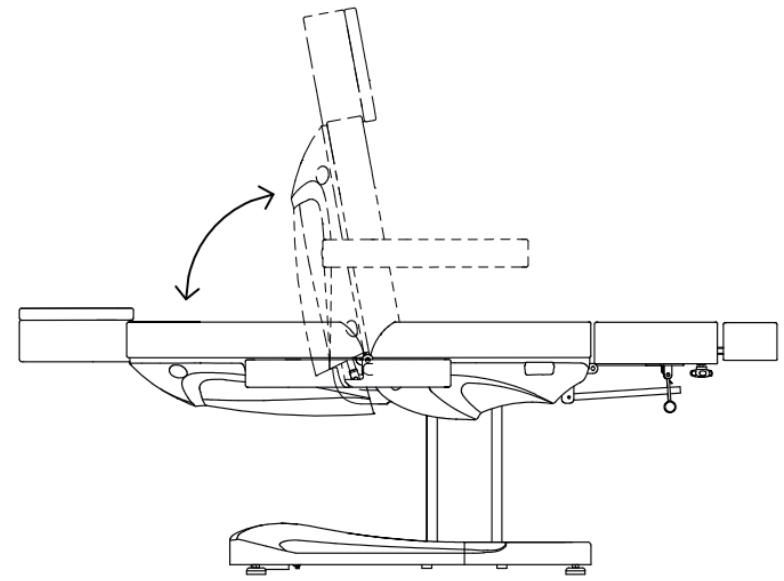
## Introduction for footrest panel



Press foot control 1 to adjust the whole bed up and down.  
Press foot control 2 to adjust the backrest up and down.

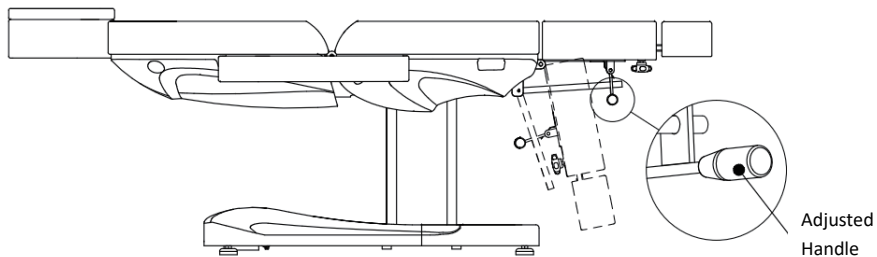


Power switch



## footrest adjustment

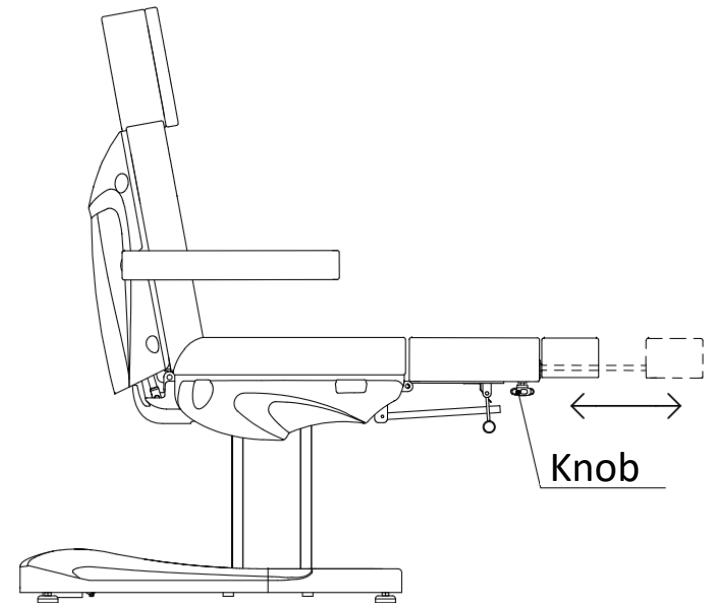
Adjust footrest angle by pulling adjusted handle and press footrest



Adjusted Handle

## Footrest extension adjustment

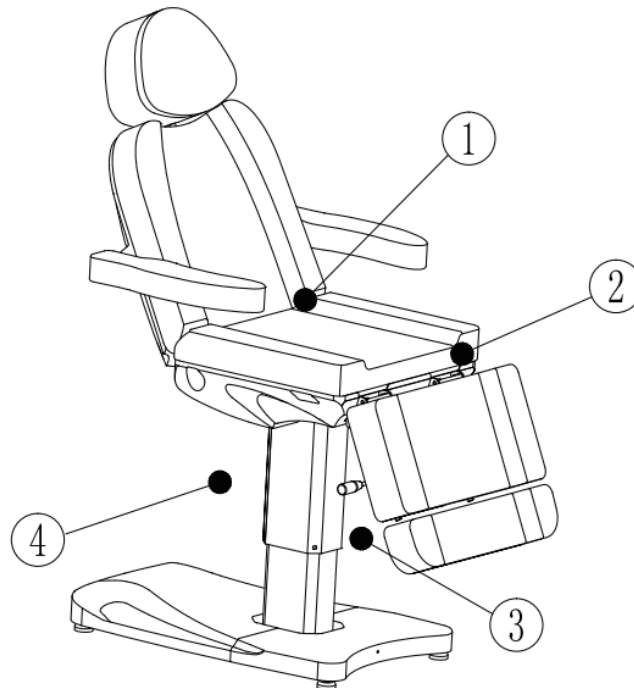
To adjust the extension of the footrest by rotating the knob under the footrest, as below picture



Knob

## The suggestive instructions

1. This electric massage bed uses a three-wire power cable. Meanwhile it should be inserted into the three-hole power socket with earth wire. And it should be assured that it can be connected to the earth wire smoothly so that it can prevent people from getting electric shock while functioning normally.
2. All the plugs, buttons and other components connected to the power cable must not dip in the water or other liquid.
3. It is forbidden to put your hands, feet, head or other part of the body into the gap ①②③④ while massage chair is running when you press the manual control panel
4. It is prohibited to use when plugs, buttons and other components connected to the power cable are broken.
5. It should be noticed that the frequency is 6min/h when the motor of this massage chair is used.
6. The maintenances should not be dealt with any person without official training.



## Attentions

1. Someone with osteoporosis or heart problem should not use this massage chair.
2. Women being pregnant or in menstruation should not use this massage chair.
3. Someone inured or with disabilities should not use this massage chair.
4. Children under 14 years old without any supervision and someone unconscious should not use this massage chair.
5. Breakages of the power cable and plug should be eliminated before it's normally used. Breakages should be dealt with by someone professionals or service providers.
6. The voltage should accord with the safety voltage before it's officially used. And the wrong voltage may lead to the breakdown of the product.
7. Wet hand is not allowed to touch power to avoid shock.
8. The product should not plug in before it's already installed.
9. The power cable should be put away so that pedestrian will not trip up and fall.
10. The appearance of the product should cleaned by the use of the soft towel with diluted neutral detergent.
11. It should be unplug when it's not used.
12. Do not dismount this product without any authorization. Please inform the official service providers to deal with the maintenances

## Maintenance

1. Daily cleaning  
You can wipe out the dust by using soft dry towel.
2. Eliminating the stubborn dirt  
As we all know, it is hard to eliminate the stubborn dirt by using normal dry towel. In this case, you can use soft towel with diluted neutral detergent to clean it first. And then you can usedry towel to scrub.
3. It's prohibited to use benzene, diluent, gasoline or other solvent.  
These solvents may damage the leather or it may cause the corrosion of the products' appearance.
4. Storage and operating environment  
Don't put the product under the strong sunlight and moisture environment. Otherwise it may cause the damages of the product.
5. It is allowed to use this product under the temperature from -5°C to 50°C and the humidity from 45% to 85%.

## Fault diagnosis

If there is something wrong when you use the product, please try to check and eliminate the wrong operation as followings.

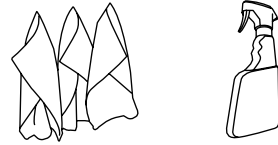
Phenomenon	Diagnosis	Operation of elimination
Press the pedal but without any responses.	<ol style="list-style-type: none"><li>1. Controller power switch start or not.</li><li>2. To check if the pedal has reached to maximum.</li><li>3. To check if the power plug is connected.</li><li>4.To check if each connecting plug of the transformer is connected.</li></ol>	<ol style="list-style-type: none"><li>1.Try to re-start the controller power switch.</li><li>2. Try other buttons workable or not.</li><li>3.Disconnect the power plug and re-plug it again.</li><li>4. Re-plug and connect it again.</li></ol>
Letting out noises and shaking while going up and down	Screw loosen	Tighten all the screws
The light is still off although the switch is on.	The fuse has burned out.	Replace the fuse.

Remarks: It will be not informed if the improvements of the product do not influence appearance and function.

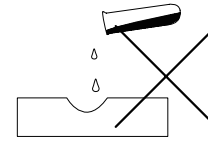
## Product care



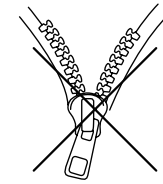
Brush away excess hair



Clean surface with damp cloth or use simple soap & water solution.



Avoid using corrosive cleaning agents such as bleaches.



Do not remove upholstery for cleaning

## Warranty

The warranty period is one year. DIR warrants to you, the original buyer, that goods shall be free of defects in material and/or workmanship attributable to manufacture for one year from date of receipt of product. Damage resulting from improper handling after merchandise is received, or from exposure to weather or extreme atmospheric conditions is not covered by the warranty. For any other information please contact our support team:

### DIR BIRMINGHAM

66 Rea Street South  
Birmingham  
B5 6LB  
UK

Tel:  
+44(0)121 6434777

Email:  
dirsalon@gmail.com

### DIR LONDON

Unit 1 River Road  
Business Park  
33 River Road, Barking  
Greater London  
IG11 0DA  
UK

Tel:  
+44(0)20 8591 9310

Email:  
dirsalon@gmail.com

### DIR NEW YORK

575 Underhill Blvd.  
Suite 170  
Syosset, NY 11791  
USA

Tel:  
+1 (718)628-6668  
+1 (800)728-2008

Email:  
sales@dirsalonfurniture.com

### DIR IRELAND

Unit 20, Goldenbridge Ind.  
Estate Tyrconnell Road  
Inchicore  
Dublin 8  
Republic of Ireland

Phone:  
+353 (1) 429 7969

Email:  
sales.ireland@dirgroup.ie