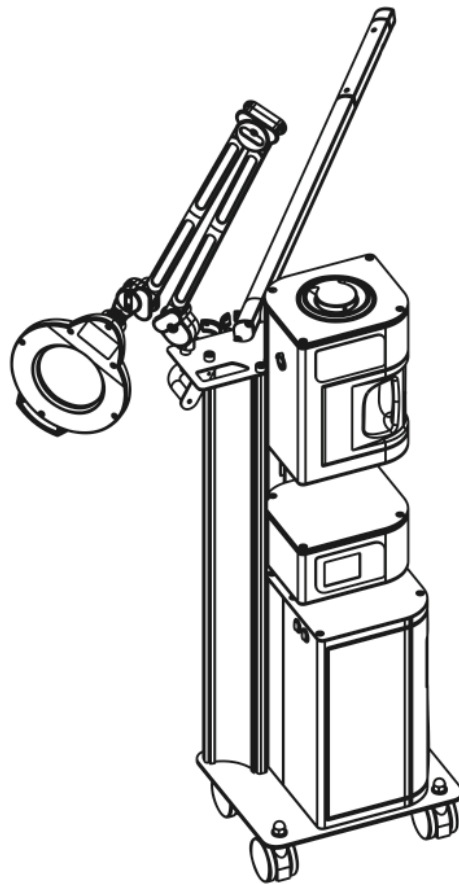


# DIR<sup>®</sup>

H5008V  
4 IN 1 Multi-functional beauty instrument



Thank you for purchasing this product!

- Please read the entire instruction manual carefully before using the product. Take note of any warnings included in this manual.
- Always keep this instruction manual handy and if you give the device to another person, hand over the manual as it is an essential part of the product.
- Some components of the product may differ from the image that appears in catalogues, websites, brochures, etc.
- In order to enhance the product, the manufacturer reserves the right to modify its features and/or components without prior notice.

## CORRECT USE OF THE DEVICE

- This product has been designed to be used by beauty professionals at beauty salons and should not be used for other purposes.
- Please note that any misuse of the device entails the loss of the guarantee.
- Do not make any modification to the device without the authorisation
- we shall not be held liable for any material or personal damage due to the misuse of the product.

## CONTRAINDICATIONS

- This product should not be used on:
  - People with metal implants in their body.
  - People with pacemakers or heart problems.
  - Pregnant women.
  - People with sensitive skin, lesions, inflammations, or any skin problem or disease.
- With people undergoing medical treatment or a diagnostic process, the product must be used with medical authorisation.

## WARNING

### FACIAL STEAMER

- 1 It's forbid to put oily material into water cup or herbal net; it may cause the problem of water spray.
- 1 It's not allowed spray from the above of the face by the steam hole, otherwise may causing scald.
- 1 It's not allowed to take the herbal cover and water cup apart under machine is spray.
- 1 It's not allowed to put this machine in the over humidity environment to work, for example: bath room etc.
- 1 It's not allowed working under projective sunshine, otherwise will cause many kind of unsteady conditions.
- 1 If there's any exceptional problem, please contact the agency to let professional maintainer to repair instead of opening the host machine cover to repair by you.
- 1 If power cord is destroyed, it's better to choose the accessories from the original factory. It's not allowed to repair by un-professional personnel; you should go to appointed repair agency to change.

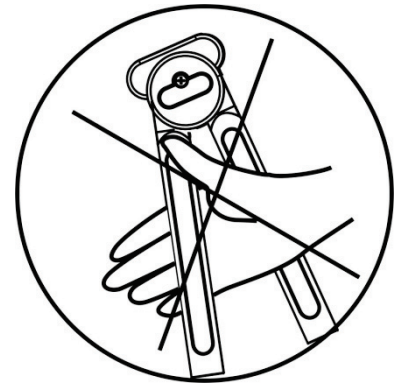
### ULTRASONIC

- 1 NOT allow to be no operation under input state of probe, otherwise it will cause overheat of probe and rapidly reduce the using life.
- 1 NOT try to separate the stainless steel probe and handle, if often rotate the stainless steel probe and handle may damage the probe.
- 1 Forbidden to put probe into water for cleaning and wipe the plastic parts of the probe with alcohol which may damage the probe.
- 1 Forbidden using probe with damaged surface or serious scrape, it must be replaced in this case.
- 1 If there's any unusual circumstances happen, please contact to sales agent and invite professional service people to check, forbid to open host machine and repaired unauthorized.
- 1 It is forbidden to place or use it at bathroom of wet places.
- 1 It is forbidden to put it together with inflammable and explosive objects.

## Attention

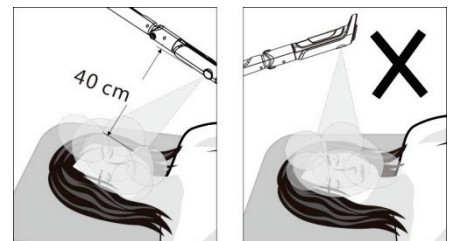
### MAGNIFYING LAMP

- During setting or move magnifying lamp, don't let fingers in the middle of the upper and lower arms for avoiding clamp. (As picture shown)
- Clean skin before operation.
- Turn off power after operation.
- Please cut the power if there's a long time not to use, make sure the machine clean and keep it in a suitable place.
- When the mirror appear stains, please dip in with soft cloth wipe gently with clean water. Do not use alcohol or other chemicals to wipe the lens, otherwise it may damage the lens effect use.



### FACIAL STEAMER

- Before turn on the power of the host machine, please confirm the water cup was screwed down, the water level was between the highest and lowest water level mark, and the herbal medicine cover was covered well in the water hole.
- If there's needed to add essential oil under working condition, please all it after pause the mist spray.
- If there's needed to add herbal medicine package during spray, it has to stop mist spray for one minute to open herbal cover. Please open the herbal medicine cover one minute after stop the mist spray.
- It must be clean the cotton pallet in the essential oil base and the herbal medicine package in the herbal medicine net after stop using aromatherapy or herbal spray everyday.
- It has to wait the mist came out from the spray hole steady and well-proportionally before facial spray.
- The spray hole is 40cm away from customer's face and spray steam should be from customer's chin to whole face proportionally to avoid scald the customer's face due to hot spray steam.
- Ozone has sterilization effect, but it also will harm skin and destroy nutrients of herbal, so it's important to select suitable time for different skin type when using.
- It's not allowed to take water cup apart when just finish using spray otherwise will cause scald. Please wait water cup cold then take it apart.
- It's necessary to avoid over adding water, otherwise it's not only make bad effect to the host machine, but also may cause the problem of leakage of electricity
- If there're problems of water leakage and gas leakage happen underneath the host machine or at the herbal medicine cover, remember cut off the power of host machine first and then check whether the water cup or herbal medicine cover well assembled. If the problems still don't be solved, please contact local agency for further Solution
- It should have good ground connection for the power plug of host machine.
- if water level under lowest mark without adding water, the temperature protection system will react right away to cut off the power temporarily. At this time should add amount of



water in time, otherwise temperature protection system would cut power again and again until burnout the heating system. The host machine will return to normal working condition after adding water for 1-3 minutes.

### **HOT TOWEL CABINET**

- **Do not** use the hot towel cabinet beside any high temperature object.
- **Do not** use the hot towel cabinet under acidic or humid environment
- **Do not** put the acidic or alkaline objects into the hot towel cabinet
- **Do not** move the hot towel cabinet when its power is connected or under the working status
- It is normal that the temperature of hot towel cabinet may rise up obviously after operating for a long time.
- Please clean up the water inside the water collection tank regularly. (Ideally cleans it up in a daily basis).
- It is not suggested to work for a long time when the UV light and Ozone sterilization function is switch on. ( It is better to limit the working time within one or two hours ) , otherwise the objects may be damaged due to over-time UV light sterilization.
- Please take out the wet hot towel or any other objects which are no longer need to sterilize immediately. Turn off the power and take out the hot towel tray. Clean up the water on the doorframe and the inner tank of the host machine. Please make sure the power plug is unplugged when not in use for a long time
- Please turn on the "**HOT**" or "**OZONE**" switch with dry hand
- In any case that hot towel cabinet does not work properly, please contact the local dealer or the professional maintenance service center and bring your warranty card with you.
- If the supply cord is damaged, it must be replaced by the manufacturer, its service agent or similarly qualified persons in order to avoid a hazard.
- This appliance is not intended for use by persons (including children) with reduced physical sensory or mental capabilities, or lack of experience and knowledge, unless they have been given supervision or instruction concerning use of the appliance by a person responsible for their safety.
- Children should be supervised to ensure that they do not play with the appliance.
- This appliance can be used by children aged from 8 years and above and persons with reduced physical, sensory or mental capabilities or lack of experience and knowledge if they have been given supervision or instruction concerning use of the appliance in a safe way and understand the hazards involved. Children shall not play with the appliance. Cleaning and user maintenance shall not be made by children unless they are older than 8 and supervised.
- Keep the appliance and its cord out of reach of children less than 8 years.
- This appliance is intended to be used in household and similar applications such as:
  - ◆ -staff kitchen areas in shops, offices and other working environments
  - ◆ -farm houses

- ◆ -by clients in hotels, motels and other residential type environments
- ◆ -bed and breakfast type environments
- The appliance must not be immersed.

## **ULTRASONIC**

- The probe should be kept clean; clean and sterilize the probe with ethanol or other agents after uses. Note: if using alcohol to sterilize only for the metal part of the probe, do not wipe other parts of the probe (especially the plastic parts of the probe), otherwise it will damage the probe.
- DO NOT use the probe toward eyes when uses ultrasonic wave.
- The skin care essence should be supplemented in time if insufficient to moisturize the skin.
- The nursing time should not more than 15min. and should be shorten appropriately for the small area to be nursed, too long time would cause tired of skin and is not good to absorb. The probe should not stay a long time on one part of skin area to prevent any skin lesion.
- During the course of nursing, it should prevent a long time treatment under the condition of maximum energy output which will not only impact on the absorption of skin but even cause skin lesion.
- The flexible cables for probes and instrument should be in order, DO NOT repeated twist.
- If power cord is broken, please use the dedicated cable or from manufacture factory or maintain agency to change. We suggest using accessories from original factory.


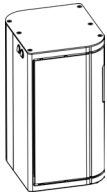
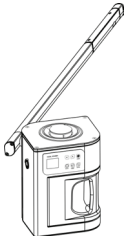
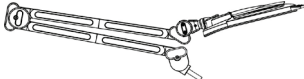


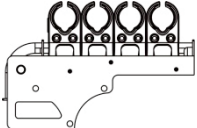









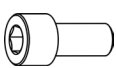

## **PRECAUTIONS**

- Before using it for the first time and after each use, check the device and the mains cable for any damage.
- Unplug the device from the mains before starting to clean it or undertaking any type of maintenance.
- Do not use the product outdoors or in places where it may be affected by humidity or inclement weather.
- If the power supply cable is defective, unplug the appliance immediately and inform your dealer or specialised technician.
- Position the power supply cable properly so that people cannot trip over it and make sure you plug it into an earthed socket.
- At the end of the working day, disconnect the device and unplug the power supply cable from the mains.
- If you detect any anomaly in the operation of the product, please contact your distributor or specialised technician.

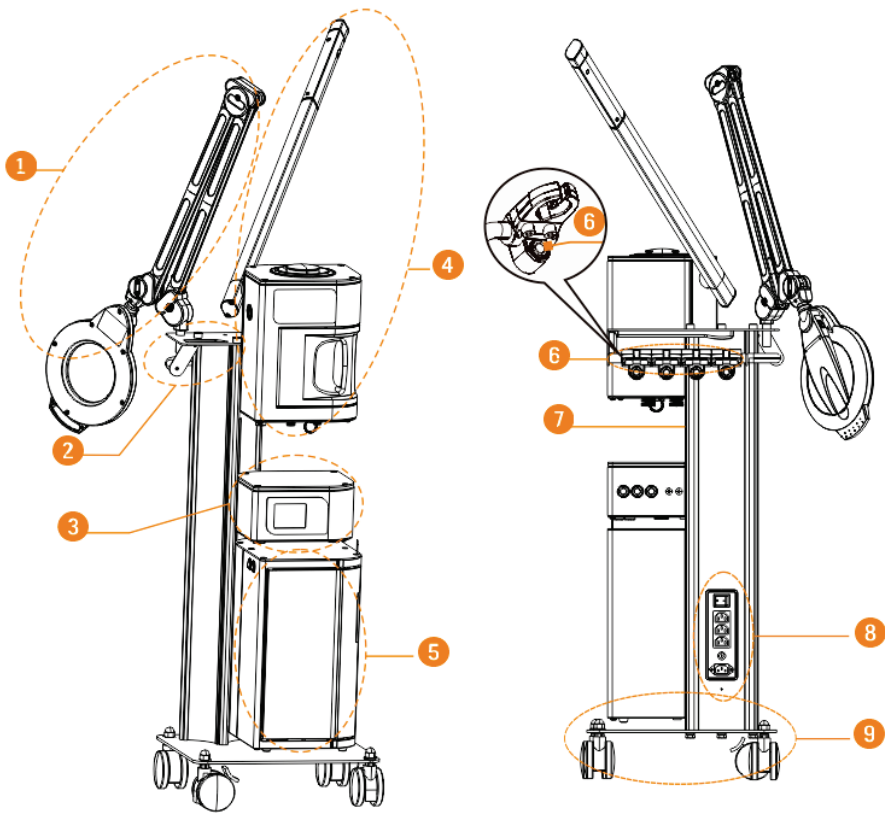
## **SAFETY INDICATIONS**

- The device and accessories should be kept out of the reach of children.
- Only plug the device into a properly installed socket. The local mains voltage must correspond to the technical specifications of the device.
- The power socket must be accessible in case you have to quickly unplug the device at any given time.
- Always pull out the actual plug and not the mains cable.
- Never tamper with any electrical component or open up/repair any component of the device , Only your distributor or specialised technician should repair the device.
- Do not switch on the device if there is visible damage to it or to the mains cable.
- Never touch the device or the mains cable with wet hands.

## Packing list:

Name	Graphic	Quantity	Name	Graphic	Quantity
Beauty Instrument		1 set	Hot Towel Cabinet		1 pcs
Facial Steamer		1 pcs	Magnifying lamp		1 pcs
Stand Column		1 pcs	castor with lock		2 pcs
Top board (accessory shelf) component		1 pcs	castor without lock		2 pcs
baseboard		1 pcs	M10 Hex cylinder spanner		1 pcs
17#open-end spanner		1 pcs	19#open-end spanner		1 pcs
Φ10spring washer		3 pcs	Φ12pring washer		4 pcs
Φ10 flat washer		3 pcs	Φ12 flat washer		8 pcs
M10*20 Hex cylinder head screw		6 pcs	M12 Cover nut		4 pcs

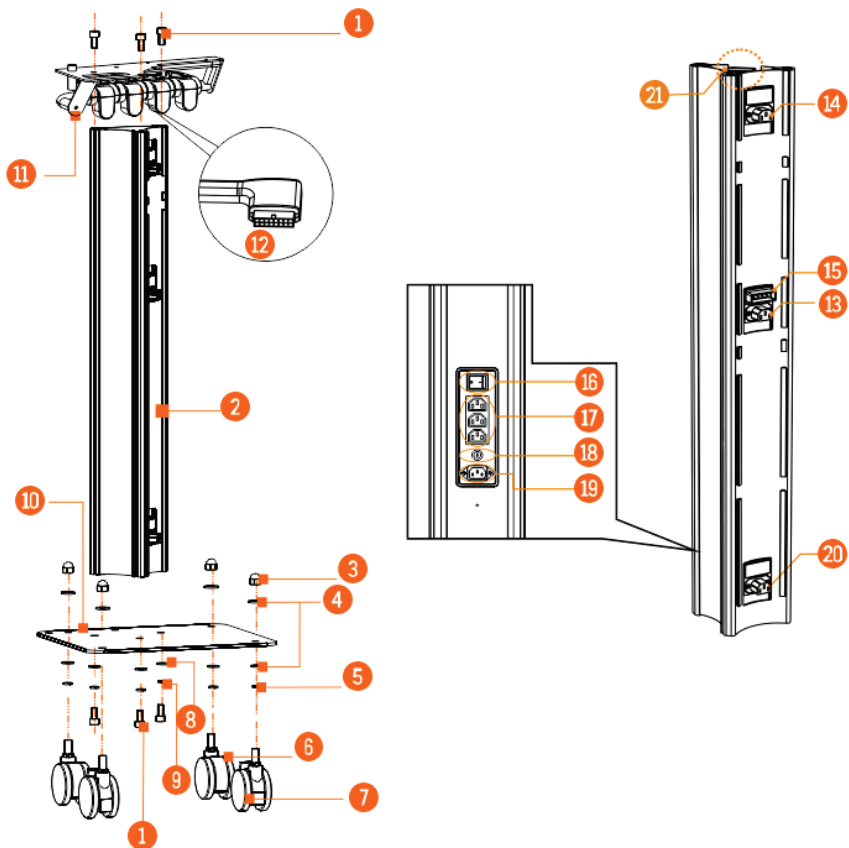
## Host Machine Introduction



- 1.Magnifying lamp
- 2.Accessory shelf
- 3.Beauty Instrument
- 4.Facial Steamer
- 5.Hot Towel Cabinet

- 6.Accessory output connector
- 7.Aluminum column
- 8.Power interface
- 9.Base

**Stand Column Introduction**

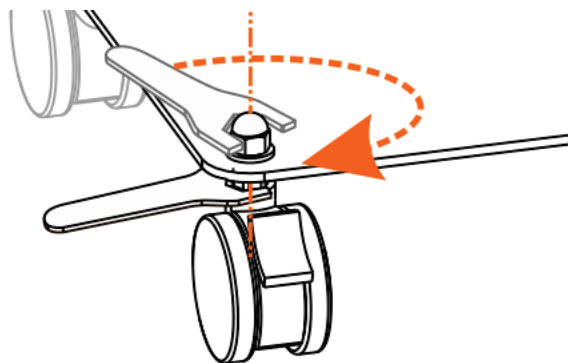


- |  |   |
|--|---|
| 1.M10*20 Hex cylinder head screw         | 12.Function output socket                   |
| 2.Aluminum Stand Column                  | 13. Instrument power input connector        |
| 3.M12 Cover nut                          | 14. Facial Steamer power input connector    |
| 4.Φ12 flat washer                        | 15. Instrument accessory output connector   |
| 5.Φ12pring washer                        | 16. Power switch                            |
| 6.castor without lock                    | 17. Power output socket                     |
| 7.c æ br with loc k                      | 18. Insurance tube socket                   |
| 8.Φ10 flat washer                        | 19. Power input socket                      |
| 9. Φ10spring washer                      | 20. Hot Towel Cabinet power input connector |
| 10.Base                                  | 21. Function output plug                    |
| 11.Top board(accessory shelf ) component |   |

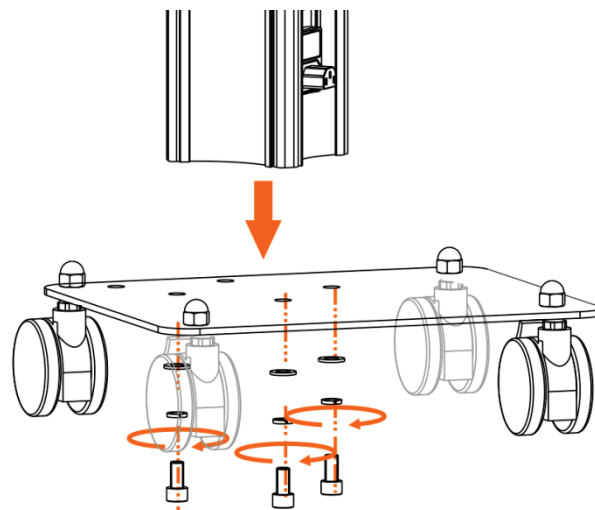
### Assembly Instruction

- Install the base board and Top board(accessory shelf ) component

1.Install the castor on the base board: put the Φ12pring washer and Φ12 flat washer on the castor screw rod, then install the base board (please pay attention to put the castor with lock in front of base board) and put 1 pc Φ12 flat washer, screw up M12 cover nut. While screw up the cover nut, use 17#open-end spanner fixed the nut on the base board, then use 19#open-end spanner to tight the nut.

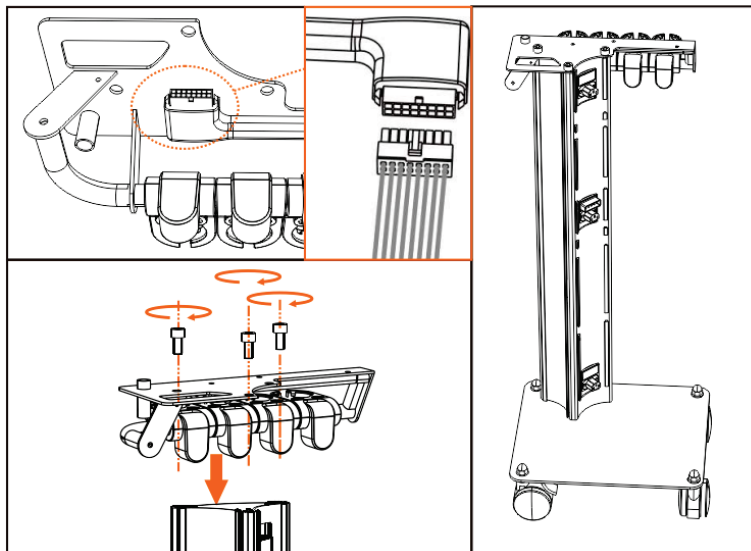


2. Install Aluminum Stand Column: put the three holds of the Aluminum Stand Column end to the hold which on the base board, then connect them with M10\*20 Hex cylinder head screw, use M10 Hex cylinder spanner to tight the screw finally.



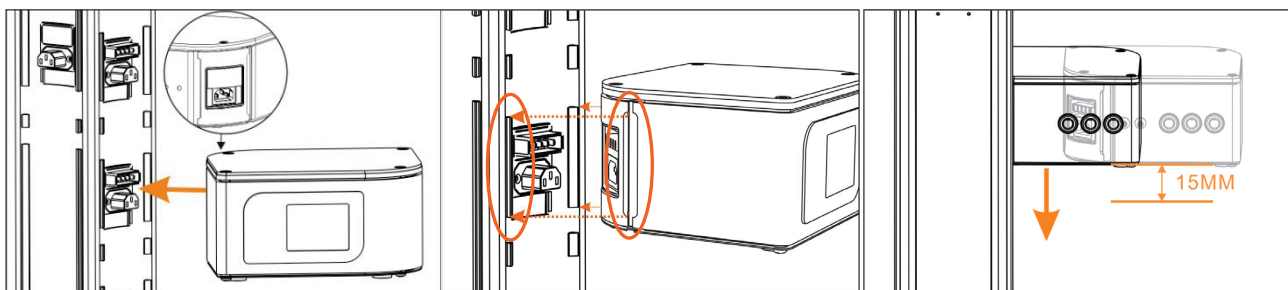


3. Install top board (accessory shelf) component: Firstly, install the function output plug of the Stand Column to the function input socket of the accessory shelf. Put the three holds of the Aluminum Stand Column end to the hold which on the top board, then connect them with M10\*20 Hex cylinder head screw, use M10 Hex cylinder spanner to tight the screw finally.

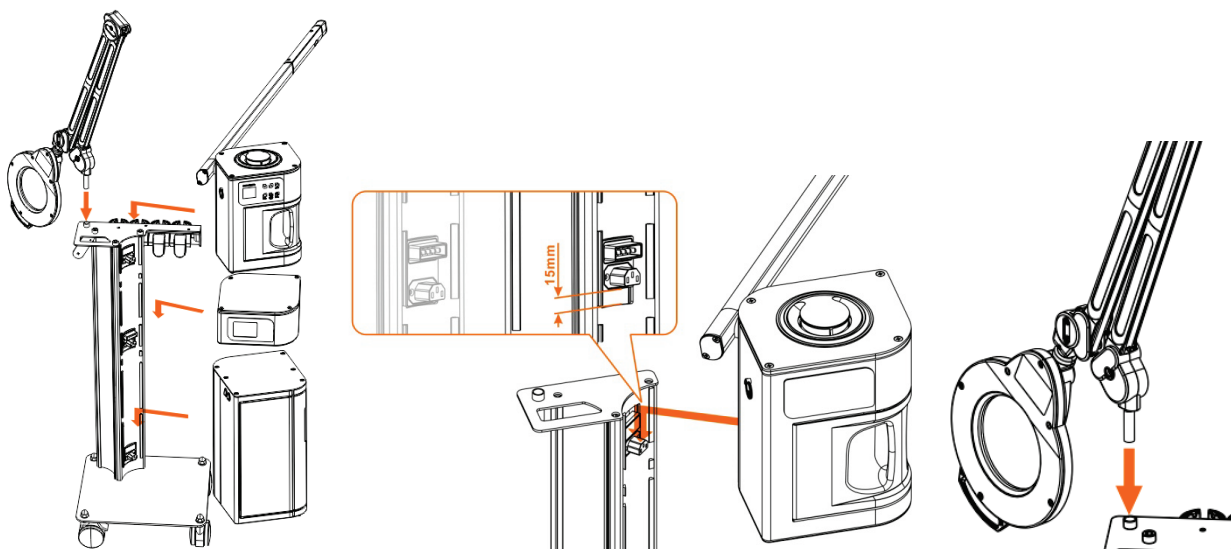


● Install instrument, facial steamer, hot towel cabinet

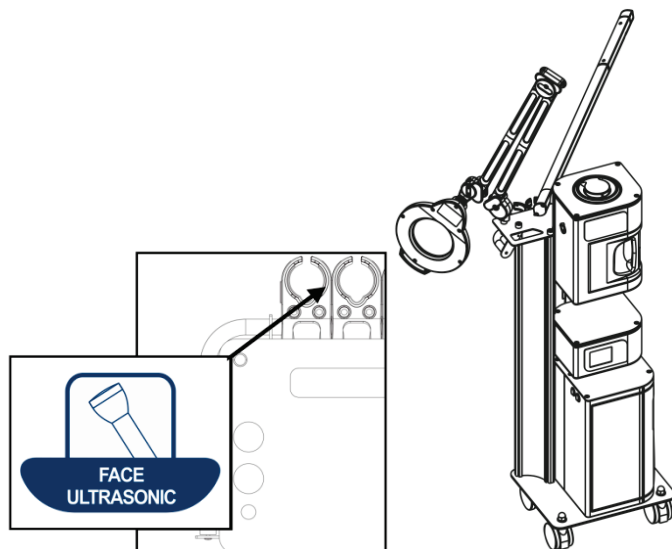
1. Put the host machine connector horizontally aligned to corresponding connector of the stand column, then install, when the connector properly installed, the host machine will sink 15mm.



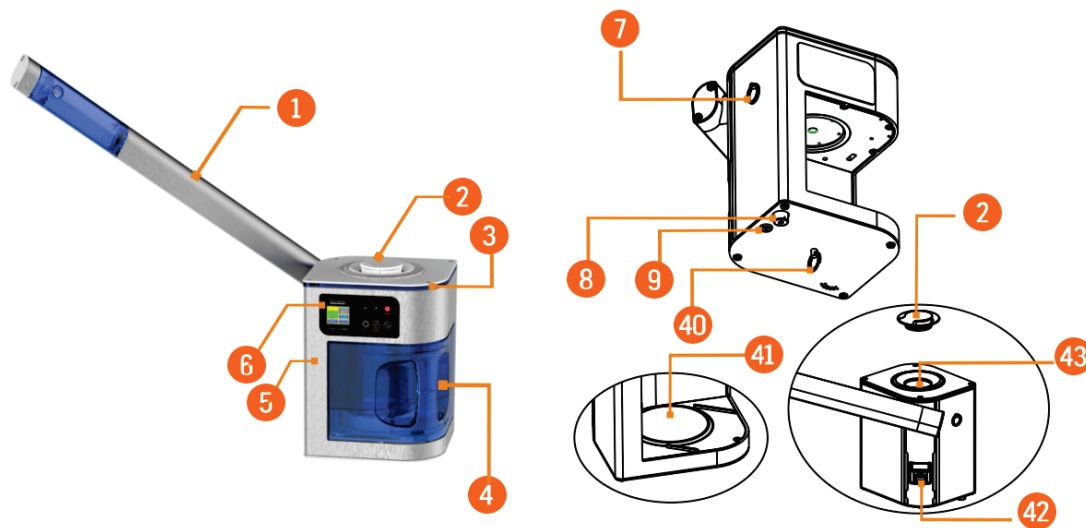
2. Common connector used for the instrument, facial steamer, hot towel cabinet that can be installed the other machine according to the above method.



3. Corresponding label used for each instrument on the aluminum column output connector. (The position of each instrument varies depending on the different orders, please be sure to installed according to our specified location)

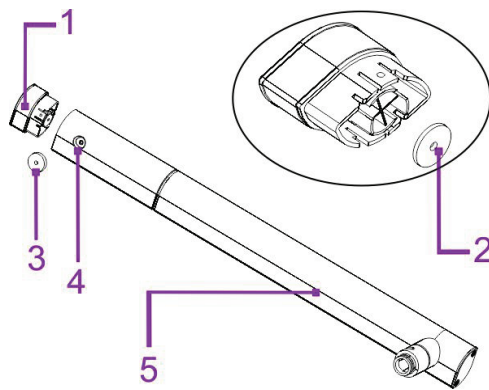


### Facial Steamer Instruction



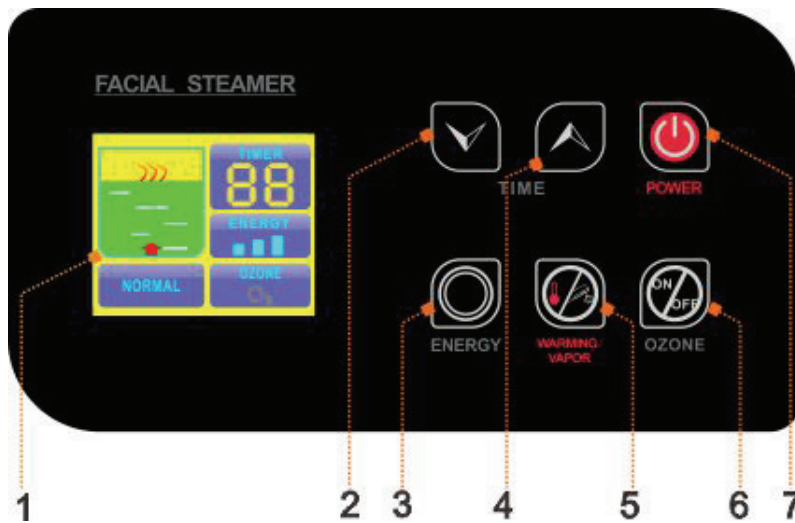
- |                              |                              |
|------------------------------|------------------------------|
| 1. Herbal Net                | 8. Starter                   |
| 2. Add enough water to cover | 9. Insurance header          |
| 3. LED Lamp with             | 10. Hot plate operative ring |
| 4. Water Cup                 | 11. Hot plate                |
| 5. Hot Handle                | 12. The power input socket   |
| 6. Control Panel             | 13. Filler                   |
| 7. Spray arms ring           | 14. Herbal base              |

### Spray Arm Groups



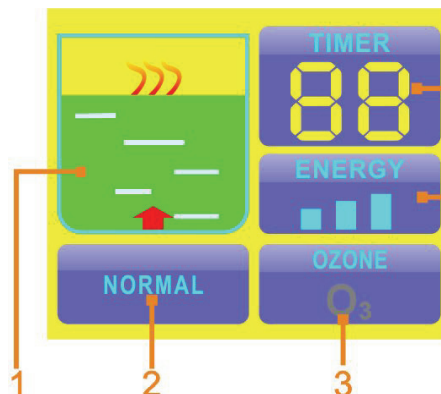
1.Essential oil base    2.Essence oil Cotton    3.Steam Output    4.Spray Arm

**Panel**



1.Working Window  
 2.Time Decreasing Key  
 3.Adjust Energy Key  
 4.Time Increasing Key  
 5.Warming Vapor Start Key  
 6.Ozone Star Key  
 7.Power

**Working window Instruction**

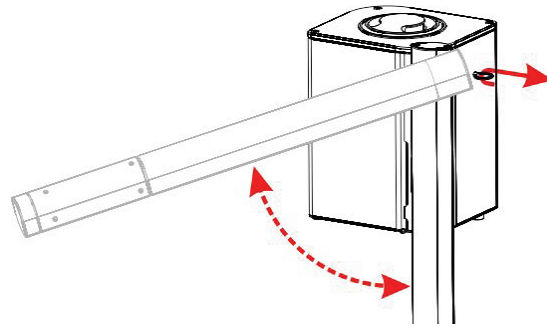


1.water cup working display area  
 2.warning display area  
 3.ozone working display area  
 4.energy display area  
 5.time display area

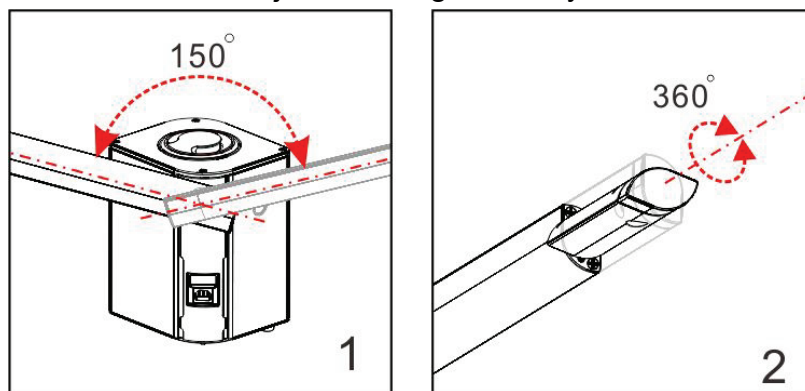
**Usage Instruction**

- unlock instruction of Spray arm  
 When you take out the machine, spray arm is locked. Now you should hold the spray

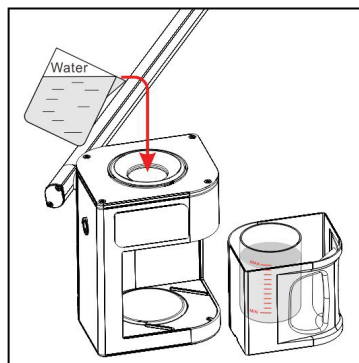
arm and pull out by your hand, rotate the spray arm until to the horizontal position to unlock.



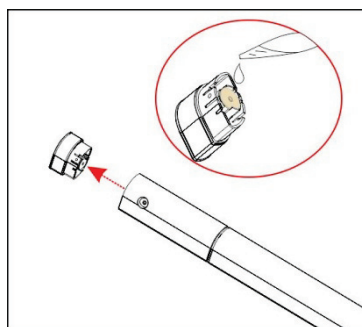
- Spray arm and spray nozzle adjustment instruction  
With unique design spray arm for multi-angle adjustment to adapt different environment. As the follow picture 1 the Spray arm can adjust right and left 150 degrees. As the follow picture 2 the shower nozzle can adjust 360 degrees. Pay attention not to adjust too hard.



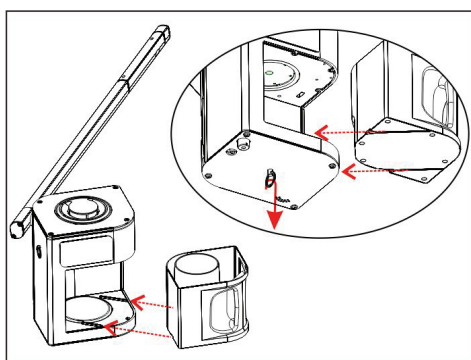
- add water to the host machine:  
Please lift up the cover, put water to the water cup. Water level should not beyond the between the water scale line






- Add perfume essence oil  
You should unplug the essential oil base, add perfume essence oil with dropper into the cotton (one to two drops is OK). (Picture at right)  
You can change cotton with a tweezer.






- Install and remove water cup:  
Please turn down the power of the host machine before assembling the water cup, push down the hot plate operative ring by one hand, and hold the water cup handle by other hand, then push the water cup back to the hot machine.







### operation instruction

- Plug the power plug.
- Press the button  to turn on the host machine, the screen show the welcome menu, enter the language selection screen, then press  or  button to choose the language.

The host machine will enter the standby mode, Default time display window show “15” minutes .Energy display window show  maximum level“Ozone “display area show “”symbol dark grey, The symbol of Water cup “”is fixed.



- Hot vapor function:


Press WARMING/VAPOR  to turn on the hot vapor function, the display screen show the hot vapor working status” ”, the hot machine enter the hot vapor working status; in about 6 minutes, the steamer will come out


Temperature reservation function  
Press WARMING/VAPOR  to turn on the temperature reservation function, the display screen show the temperature reservation function working status” ”, the hot machine enter the temperature reservation function working status

- Time adjustment

Press  or  to adjust the time.

When hot vapor turn on, the time adjustment range is 1-30 minutes, the default time is 15 minutes (  ) When temperature reservation function  turn on , the time adjustment range is 1-90 minutes, the default time is 15 minutes



- Energy adjustment  
choose the energy adjustment button  to adjust the energy. There are three choice for vapor volume, such as high ,medium and low

When the energy indication on the energy  is highest




When the energy indication off the energy  is lowest


Please choose the highest energy before the vapor come out ,then adjustment the energy to suitable level.

- Turn on the Ozone function

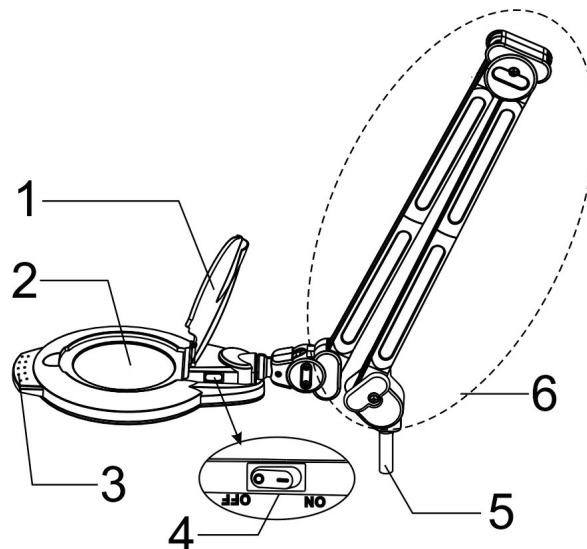
Press the  to turn on the Ozone function, the Ozone symbol of ozone indication area  are blue, when the ozone working. There are ozone smell with the vapor

- Water level alarm system

The water level detection system work during the hot vapor  or  temperature reservation system on, when the water stay in the normal status ,the host machine heat continuously ;when the water level beyond the lowest water level, the host machine will turn off the heating. And the symbol of the display window  will twinkle all the time

And the buzzer sounds the alarm with “Dee Dee” and lock all the button except the “  ’ button until the water level back to normal status and stop the buzzer and release button to restart the “WARMING/VAPOR” function.

### Magnifying lamp Instruction



1. Anti-Dust cover  
4. Power switch

2. Magnifying lamp glass  
5. Setting fasten column

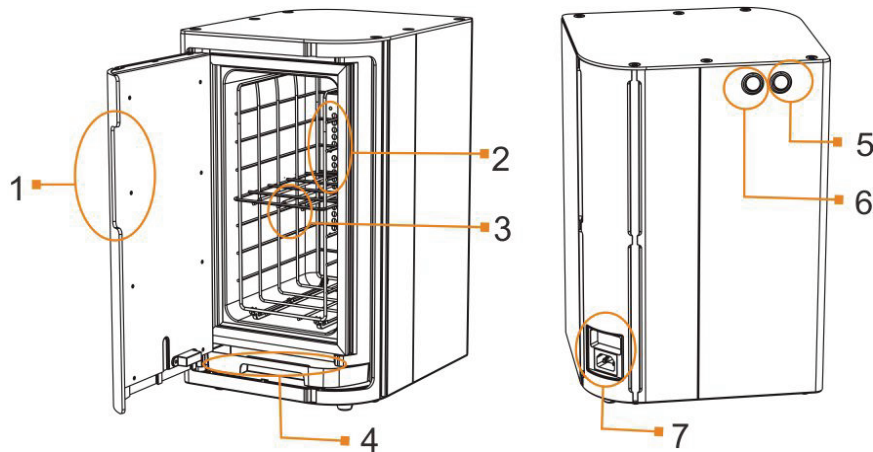
3. Adjustable Handle  
6. Magnifying lamp arm

### Operating instructions

- Plug power plug to the power socket
- Open anti-dust cover and hold the adjustable
- Turn on the power switch and start beauty operation.

### Hot Towel Cabinet Instruction





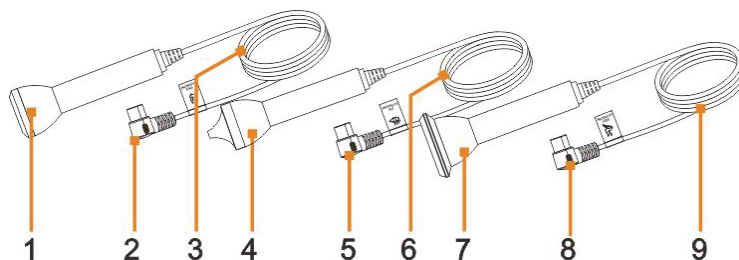
- |                              |                        |
|------------------------------|------------------------|
| 1. Door handle               | 5. Ozone on/off switch |
| 2. UV light and Ozone output | 6. Hot towel tray      |
| 3. Hot towel tray            | 7. Power input socket  |
| 4. Water collection tank     |                        |

### Operation Instruction

- Open the door and neatly place the wet towel and other objects into the hot towel tray. Upon close the door check whether the doorframe was well closed with the cabinet seal.
- Turn on the heating function by pressing the "Hot" button and the machine will start to heat up. When the temperature reaches 80 degree, the system will enter the auto temperature preservation status.
- The UV OZONE generator can be activated according to needs. When Ozone sterilization function is on, the blue light inside the hot towel cabinet will turn on, and the machine will enter the sterilization status.
- Clean up the water in the water drop collection tank: Pull out the tank by holding the grooves of the tank. After cleaning up the water, push back the tank by the opposite direction as shown on the picture.

### Ultrasonic Wave

#### Accessories



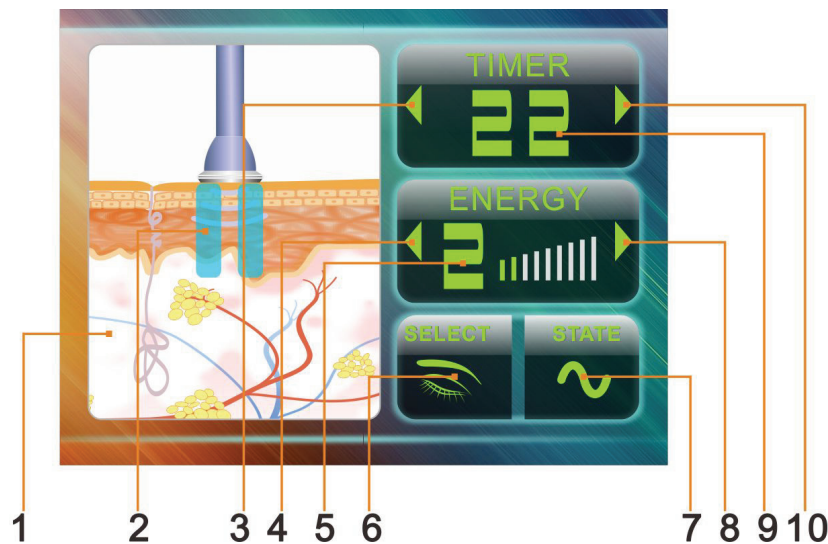
- |                                       |  |
|---------------------------------------|--|
| 1. Face probe                         | 8. Plug for Body probe flexible cable    |
| 2. Plug for Face probe flexible cable | 9. Body probe flexible cable             |
| 3. Face probe flexible cable          | (attention: If the client place an order |
| 4. Eyes probe                         | in single functional instrument, it is   |
| 5. Plug for Eyes probe flexible cable | straight head plug; if multi-functional  |
| 6. Eyes probe flexible cable          | instrument, it is bend head plug)        |
| 7. Body probe                         |  |

●Panel




- 1.Touch screen control area      2. Start/Pause      3. Power Switch

●Control Panel





- |  |                           |
|--|---------------------------|
| 1.Display window<br>(show working state,start/pause control area ) | 5. Energy display         |
| 2. Start/Pause   | 6. Probe selection key    |
| 3.Time decrease key  | 7. Waveform selection key |
| 4. Energy decrease key   | 8. Energy increase key    |
|  | 9. Time display window    |
|  | 10.Time increase key      |

**operation instruction**

Press the key "POWER  " on control panel, the host enter into "language "interface, select the language types, when host machine is stand-by.

- >Time display "15";
- >Energy display "5";

>Probe selection area show face probe image 

>Waveform selection area or Continuously working status indicator  image

>On the right side of start/pause "  " indicator lights

In this situation, press START/PAUSE key to turn on output of host machine.



Ultrasonic Wave Function Adjustment

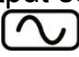






Time setting: press key "▶" and "◀" for "TIMER" to set up the working time of host machine, time range 1~30 min.

Energy adjustment: press "▶" and "◀" for "ENERGY" to control the energy output of host machine, adjustment levels 1~9.

Output probe selection: press "SELECT" key for ultrasonic wave control to select the

output probe. >The indicator  lights meaning to the face probe is selected currently;; indicator  lights meaning to the eye probe is selected currently;

Waveform output selection: press "STATE" to select output of waveform. The indicator  lights meaning to continuous wave output; if the indicator  lights meaning to hybrid wave output; if the indicator  lights meaning to board pulse wave output.

Start or pause output: under the status of stand-by or adjustment completes, press "START PAUSE" to start or pause the output from host machine; when the host is starting output, the start up working indicator  lights; when the host is pause or stand-by, the pause indicator  lights.

#### Daily Maintenance

- The flexible cables for probes and instrument should be in order, DO NOT repeated twist.
- Be care of probe during using, and the probe after used should be sterilized and wiped dry, and kept in clean, dry.
- The instrument should be wiped with dry dishcloth, DO NOT wet in water.
- Please switch on the main power after using of instrument every day, and takes away the plug when finishes a working day.
- The instrument should NOT be placed in sunlight, raining, moisture, dust and smoke accumulated area.

#### Specifications and Technical Data

Product Name	4 IN 1 beauty instrument
Item No.	H5008V
Function	Facial steamer、 magnifying lamp、 Hot Towel Cabinet、 Ultrasonic
Rated Voltage/Power	AC 100-120V ~ AC 220-240V ~
Working Frequency	50/60Hz
Rated power	800W
Dimension (L*W*H)	440*550*1200mm
N.W	30.9Kg